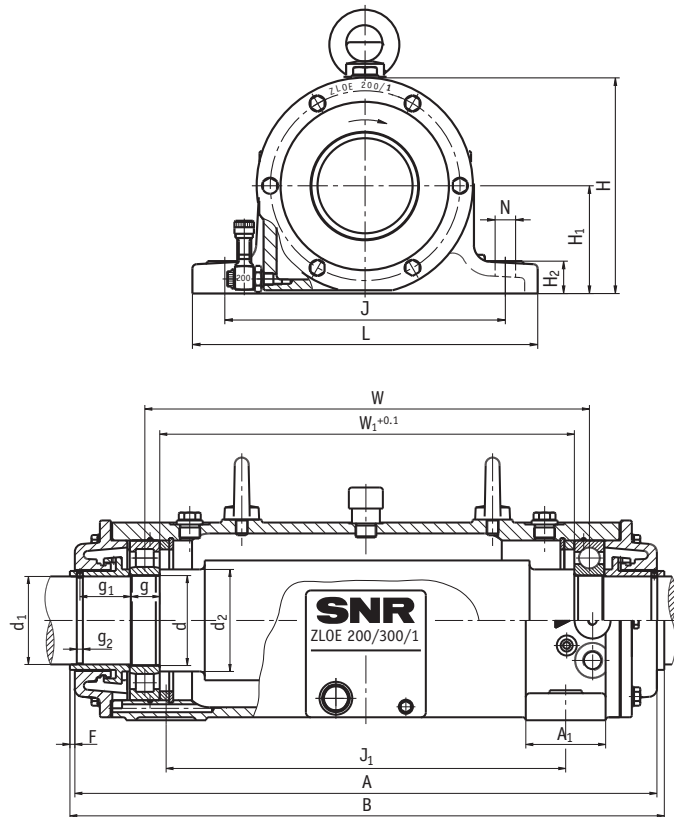


Double Bearing Housings ZLOE 200/300

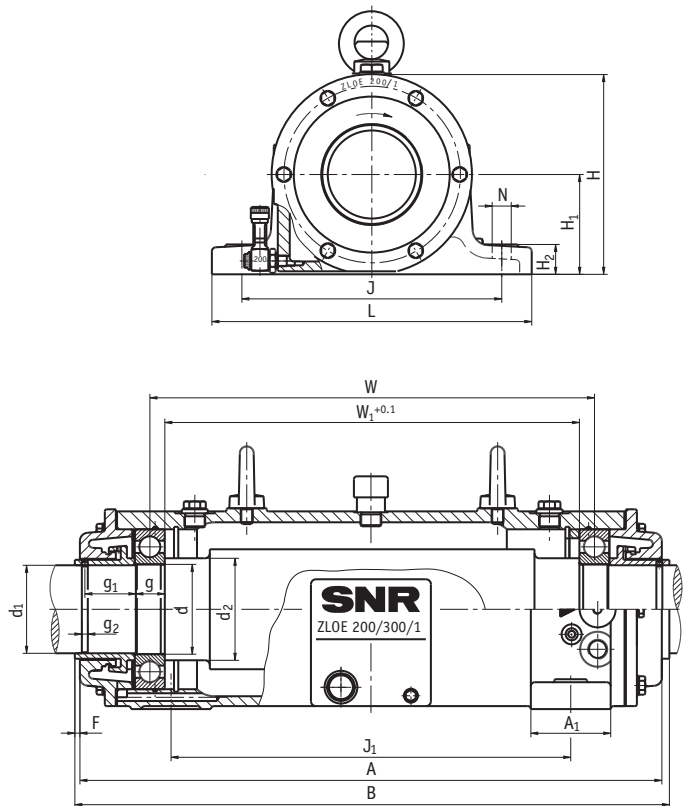
for cylindrical roller bearings and deep groove ball bearings, specified for oil lubrication



Design B

shaft		dimensions [mm]															
d	d ₁	d ₂	bearing housing code number	A	A ₁	B	F	H	H ₁	H ₂	J	J ₁	L	N	W	W ₁	
90	88	102	ZLOE 218/1	582,5	80	595,0	5	200	100	30	260	400	320	19	445,0	415,0	
95	93	110	ZLOE 219/1	645,0	80	657,5	5	227	112	30	290	440	350	19	493,5	461,5	
100	98	115	ZLOE 220/1	645,0	80	657,5	5	227	112	30	290	440	350	19	491,5	457,5	
110	108	122	ZLOE 222/1	688,5	90	715,5	12	254	125	36	320	480	400	24	536,5	498,5	
75	72	90	ZLOE 315/1	582,5	80	595,0	5	200	100	30	260	400	320	19	445,0	408,0	
85	82	100	ZLOE 317/1	645,0	80	657,5	5	227	112	30	290	440	350	19	491,5	450,5	
95	92	110	ZLOE 319/1	688,5	90	715,5	12	254	125	36	320	480	400	24	536,5	491,5	

This bearing housing can be equipped with a combination of three bearings. Please contact SNR for more informations.



We will also be glad to supply you with ZLOE double bearing housings as complete unit with shaft. Provided that you notify us of the dimensions of your mating structure.

Design A

g	g ₁	g ₂	mounting parts		oil level in operation [mm]	oil quantity approx. l	weight approx. kg	unit designation
			bearing 1	bearing 2				
28	52,0	6	6218 C3	6218 C3	32 - 36	0,8	75	ZLOE 218/1 A
			NU 218 C3	6218 C3				ZLOE 218/1 B
30	60,0	6	6219 C3	6219 C3	39 - 44	1,3	80	ZLOE 219/1 A
			NU 219 C3	6219 C3				ZLOE 219/1 B
32	58,0	6	6220 C3	6220 C3	36 - 41	1,3	80	ZLOE 220/1 A
			NU 220 C3	6220 C3				ZLOE 220/1 B
36	58,0	6	6222 C3	6222 C3	40 - 45	1,7	85	ZLOE 222/1 A
			NU 222 C3	6222 C3				ZLOE 222/1 B
35	49,5	6	6315 C3	6315 C3	34,5 - 37,5	0,8	75	ZLOE 315/1 A
			NU 315 C3	6315 C3				ZLOE 315/1 B
39	54,5	6	6317 C3	6317 C3	39 - 43	1,3	80	ZLOE 317/1 A
			NU 317 C3	6317 C3				ZLOE 317/1 B
43	54,5	6	6319 C3	6319 C3	43 - 46	1,8	85	ZLOE 319/1 A
			NU 319 C3	6319 C3				ZLOE 319/1 B