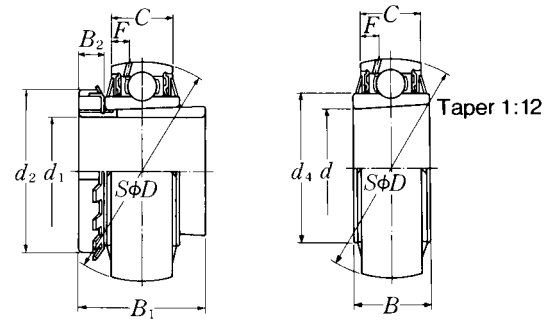


Ball bearings Adapter type



UK2...D1;H,HA, HE,HS

UK2...D1

Shaft dia. mm inch	Bearing number ^{1) 2) 3)}	Nominal dimensions									
		mm					inch				
		<i>d</i>	<i>D</i>	<i>B</i>	<i>C</i>	<i>d</i> ₄	<i>d</i> ₁	<i>B</i> ₁	<i>B</i> ₂	<i>d</i> ₂	<i>F</i>
20 3/4	UK205D1;H2305X UK205D1;HE2305	25 0.9843	52 2.0472	23 0.9055	17 0.6693	33.9 1.335	20 3/4	35 1.378	8 0.315	38 1.496	4.5 0.177
25 7/8 1	UK206D1;H2306X UK206D1;HS2306 UK206D1;HE2306X	30 1.1811	62 2.4409	26 1.0236	19 0.7480	40.8 1.606	25 7/8 1	38 1.496	8 0.315	45 1.772	4.6 0.181
30 1 1/8	UK207D1;H2307X UK207D1;HS2307	35 1.3780	72 2.8346	29 1.1417	20 0.7874	46.8 1.843	30 1 1/8	43 1.693	9 0.354	52 2.047	4.6 0.181
35 1 1/4 1 3/8	UK208D1;H2308X UK208D1;HE2308X UK208D1;HS2308X	40 1.5748	80 3.1496	31 1.2205	21 0.8268	53 2.087	35 1 1/4 1 3/8	46 1.811	10 0.394	58 2.283	4.5 0.177
40 1 7/16 1 1/2 1 5/8	UK209D1;H2309X UK209D1;HA2309 UK209D1;HE2309X UK209D1;HS2309X	45 1.7717	85 3.3465	31 1.2205	22 0.8661	57.5 2.264	40 1 7/16 1 1/2 1 5/8	50 1.969	11 0.433	65 2.559	4.9 0.193
45 1 5/8 1 11/16 1 3/4	UK210D1;H2310X UK210D1;HS2310 UK210D1;HA2310 UK210D1;HE2310X	50 1.9685	90 3.5433	32 1.2598	24 0.9449	62.4 2.457	45 1 5/8 1 11/16 1 3/4	55 2.165	12 0.472	70 2.756	5.9 0.232
50 1 7/8 1 15/16 2	UK211D1;H2311X UK211D1;HS2311 UK211D1;HA2311 UK211D1;HE2311XY	55 2.1654	100 3.9370	35 1.3780	25 0.9843	69 2.717	50 1 7/8 1 15/16 2	59 2.323	12 0.472	75 2.953	6.0 0.236
55 2 1/8	UK212D1;H2312X UK212D1;HS2312	60 2.3622	110 4.3307	38 1.4961	27 1.0630	77 3.031	55 2 1/8	62 2.441	13 0.512	80 3.150	6.2 0.244
60 2 3/16 2 1/4 2 3/8	UK213D1;H2313X UK213D1;HA2313 UK213D1;HE2313X UK213D1;HS2313X	65 2.5591	120 4.7244	40 1.5748	32 1.2598	82.5 3.248	60 2 3/16 2 1/4 2 3/8	65 2.559	14 0.551	85 3.346	8.7 0.343

Remarks: 1) These numbers indicate relubricatable type. If maintenance free type is needed, please order without suffix "D1".

2) Adapter number with suffix "X" means a narrow slot type adapter sleeve.

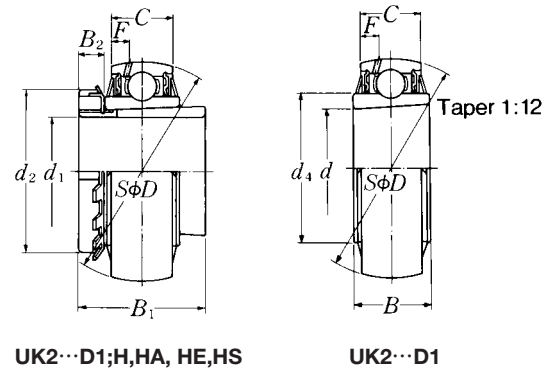
In this case the lock washer with the straight inner prong should be used.

3) For HE2311XY, screw thread pitch different from the standard is applied, because of the thin thread section of sleeve.

To distinguish it, a suffix "Y" is added.

Basic load ratings		Mass	
N dynamic C_r	lbf static C_{or}	kg	lb
14 000	7 850	0.25	
3 150	1 770	0.57	
19 500	11 300	0.36	
4 400	2 540	0.86	
		0.78	
25 700	15 300	0.57	
5 750	3 450	1.30	
29 100	17 800	0.74	
6 550	4 000	1.77	
		1.63	
32 500	20 400	0.83	
		2.01	
7 350	4 600	1.93	
		1.76	
35 000	23 200	0.97	
		2.38	
7 900	5 200	2.28	
		2.18	
43 500	29 200	1.26	
		2.96	
9 750	6 550	2.84	
		2.70	
52 500	36 000	1.59	
11 800	8 150	3.60	
57 500	40 000	2.00	
		4.86	
12 900	9 000	4.70	
		4.38	

**Ball bearings
Adapter type**



UK2...D1;H,HA, HE,HS

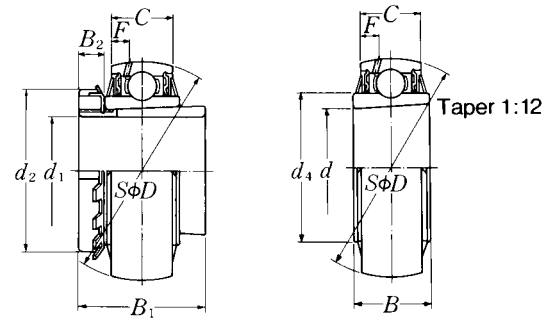
UK2...D1

Shaft dia. mm inch	Bearing number ^{1) 2) 3)}	Nominal dimensions									
		mm					inch				
		<i>d</i>	<i>D</i>	<i>B</i>	<i>C</i>	<i>d</i> ₄	<i>d</i> ₁	<i>B</i> ₁	<i>B</i> ₂	<i>d</i> ₂	<i>F</i>
65 2 ⁷ / ₁₆ 2 ¹ / ₂	UK215D1;H2315X UK215D1;HA2315 UK215D1;HE2315X	75	130	44	34	93	65	73	15	98	9.0
		2.9528	5.1181	1.7323	1.3386	3.661	2 ⁷ / ₁₆ 2 ¹ / ₂	2.874	0.591	3.858	0.354
70 2 ¹¹ / ₁₆ 2 ³ / ₄	UK216D1;H2316X UK216D1;HA2316 UK216D1;HE2316X	80	140	45	35	98.1	70	78	17	105	9.5
		3.1496	5.5118	1.7717	1.3780	3.862	2 ¹¹ / ₁₆ 2 ³ / ₄	3.071	0.669	4.134	0.374
75 2 ¹⁵ / ₁₆ 3	UK217D1;H2317X UK217D1;HA2317X UK217D1;HE2317X	85	150	46	36	106.4	75	82	18	110	10.1
		3.3465	5.9055	1.8110	1.4173	4.189	2 ¹⁵ / ₁₆ 3	3.228	0.709	4.331	0.398
80 3 ³ / ₁₆	UK218D1;H2318X UK218D1;HA2318X	90	160	47	37	111.6	80	86	18	120	9.8
		3.5433	6.2992	1.8504	1.4567	4.394	3 ³ / ₁₆	3.386	0.709	4.724	0.386

Remarks: 1) These numbers indicate relubricatable type. If maintenance free type is needed, please order without suffix "D1".
 2) Adapter number with suffix "X" means a narrow slot type adapter sleeve.
 In this case the lock washer with the straight inner prong should be used.
 3) For HE2311XY, screw thread pitch different from the standard is applied, because of the thin thread section of sleeve.
 To distinguish it, a suffix "Y" is added.

Basic load ratings		Mass	
N dynamic C_r	lbf static C_{or}	kg	lb
66 000	49 500	2.56	6.04
14 900	11 100	5.84	
72 500	53 000	3.23	7.38
16 300	11 900	7.14	
83 500	64 000	3.93	8.73
18 700	14 300	8.46	
96 000	71 500	4.74	
21 600	16 100	11.0	

Ball bearings Adapter type



UK3...D1;H, HA, HE, HS

UK3...D1

Shaft dia. mm inch	Bearing number ^{1) 2) 3)}	Nominal dimensions									
		mm					inch				
		<i>d</i>	<i>D</i>	<i>B</i>	<i>C</i>	<i>d</i> ₄	<i>d</i> ₁	<i>B</i> ₁	<i>B</i> ₂	<i>d</i> ₂	<i>F</i>
20 3/4	UK305D1;H2305X UK305D1;HE2305	25 0.9843	62 2.4409	26 1.0236	20 0.7874	36.8 1.449	20 3/4	35 1.378	8 0.315	38 1.496	5.0 0.197
25 7/8 1	UK306D1;H2306X UK306D1;HS2306 UK306D1;HE2306X	30 1.1811	72 2.8346	29 1.1417	23 0.9055	44.9 1.768	25 7/8 1	38 1.496	8 0.315	45 1.772	5.9 0.232
30 1 1/8	UK307D1;H2307X UK307D1;HS2307	35 1.3780	80 3.1496	33 1.2992	25 0.9843	49.4 1.945	30 1 1/8	43 1.693	9 0.354	52 2.047	6.8 0.268
35 1 1/4 1 3/8	UK308D1;H2308X UK308D1;HE2308X UK308D1;HS2308X	40 1.5748	90 3.5433	34 1.3386	27 1.0630	56 2.205	35 1 1/4 1 3/8	46 1.811	10 0.394	58 2.283	7.4 0.291
40 1 7/16 1 1/2 1 5/8	UK309D1;H2309X UK309D1;HA2309 UK309D1;HE2309X UK309D1;HS2309X	45 1.7717	100 3.9370	37 1.4567	29 1.1417	63.5 2.500	40 1 7/16 1 1/2 1 5/8	50 1.969	11 0.433	65 2.559	7.4 0.291
45 1 5/8 1 11/16 1 3/4	UK310D1;H2310X UK310D1;HS2310 UK310D1;HA2310 UK310D1;HE2310X	50 1.9685	110 4.3307	41 1.6142	32 1.2598	70.6 2.780	45 1 5/8 1 11/16 1 3/4	55 2.165	12 0.472	70 2.756	8.1 0.319
50 1 7/8 1 15/16 2	UK311D1;H2311X UK311D1;HS2311 UK311D1;HA2311 UK311D1;HE2311XY	55 2.1654	120 4.7244	44 1.7323	34 1.3386	76.6 3.016	50 1 7/8 1 15/16 2	59 2.323	12 0.472	75 2.953	8.5 0.335
55 2 1/8	UK312D1;H2312X UK312D1;HS2312	60 2.3622	130 5.1181	47 1.8504	36 1.4173	82.7 3.256	55 2 1/8	62 2.441	13 0.512	80 3.150	9.0 0.354
60 2 3/16 2 1/4 2 3/8	UK313D1;H2313X UK313D1;HA2313 UK313D1;HE2313X UK313D1;HS2313X	65 2.5591	140 5.5118	49 1.9291	39 1.5354	88.2 3.472	60 2 3/16 2 1/4 2 3/8	65 2.559	14 0.551	85 3.346	10.1 0.398

Remarks: 1) These numbers indicate relubricatable type. If maintenance free type is needed, please order without suffix "D1".

2) Adapter number with suffix "X" means a narrow slot type adapter sleeve.

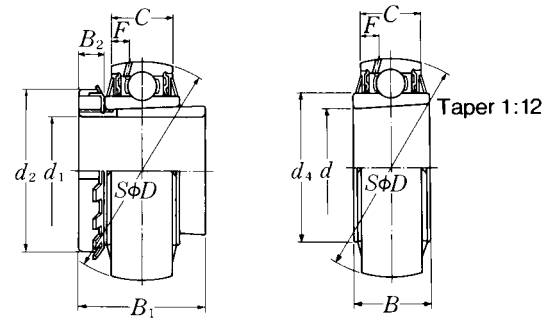
In this case the lock washer with the straight inner prong should be used.

3) For HE2311XY, screw thread pitch different from the standard is applied, because of the thin thread section of sleeve.

To distinguish it, a suffix "Y" is added.

Basic load ratings		Mass	
N dynamic C_r	lbf static C_{or}	kg	lb
21 200	10 900	0.36	
4 750	2 460	0.81	
26 700	15 000	0.59	
6 000	3 400	1.37	
		1.29	
33 500	19 100	0.75	
7 500	4 300	1.70	
40 500	24 000	1.02	
9 150	5 400	2.38	
		2.25	
53 000	32 000	1.38	
		3.22	
11 900	7 200	3.14	
		2.97	
62 000	38 500	1.68	
		3.95	
13 900	8 600	3.85	
		3.74	
71 500	45 000	2.06	
		4.73	
16 100	10 100	4.60	
		4.46	
82 000	52 000	2.53	
18 400	11 700	5.67	
92 500	60 000	3.08	
		7.24	
20 800	13 400	7.08	
		6.76	

Ball bearings Adapter type



UK3...D1;H, HA, HE, HS

UK3...D1

Shaft dia.	Bearing number ^{1) 2) 3)}	Nominal dimensions									
		mm					inch				
		<i>d</i>	<i>D</i>	<i>B</i>	<i>C</i>	<i>d</i> ₄	<i>d</i> ₁	<i>B</i> ₁	<i>B</i> ₂	<i>d</i> ₂	<i>F</i>
65 2 ⁷ / ₁₆ 2 ¹ / ₂	UK315D1;H2315X UK315D1;HA2315 UK315D1;HE2315X	75	160	55	43	101.3	65	73	15	98	11.0
		2.9528	6.2992	2.1654	1.6929	3.988	2 ⁷ / ₁₆ 2 ¹ / ₂	2.874	0.591	3.858	0.433
70 2 ¹¹ / ₁₆ 2 ³ / ₄	UK316D1;H2316X UK316D1;HA2316 UK316D1;HE2316X	80	170	58	45	107.9	70	78	17	105	11.4
		3.1496	6.6929	2.2835	1.7717	4.248	2 ¹¹ / ₁₆ 2 ³ / ₄	3.071	0.669	4.134	0.449
75 2 ¹⁵ / ₁₆ 3	UK317D1;H2317X UK317D1;HA2317X UK317D1;HE2317X	85	180	60	47	114.4	75	82	18	110	12.0
		3.3465	7.0866	2.3622	1.8504	4.504	2 ¹⁵ / ₁₆ 3	3.228	0.709	4.331	0.472
80 3 ³ / ₁₆	UK318D1;H2318X UK318D1;HA2318X	90	190	64	49	120.9	80	86	18	120	12.3
		3.5433	7.4803	2.5197	1.9291	4.760	3 ³ / ₁₆	3.386	0.709	4.724	0.484
85 3 ¹ / ₄	UK319D1;H2319X UK319D1;HE2319X	95	200	67	51	127.5	85	90	19	125	12.8
		3.7402	7.8740	2.6378	2.0079	5.020	3 ¹ / ₄	3.543	0.748	4.921	0.504
90 3 ⁷ / ₁₆ 3 ¹ / ₂	UK320D1;H2320X UK320D1;HA2320 UK320D1;HE2320X	100	215	73	55	135.6	90	97	20	130	13.5
		3.9370	8.4646	2.8740	2.1654	5.339	3 ⁷ / ₁₆ 3 ¹ / ₂	3.819	0.787	5.118	0.531
100	UK322D1;H2322X	110	240	80	59	151.7	100	105	21	145	13.9
110	UK324D1;H2324X	120	260	86	63	165.2	110	112	22	155	16.0
115	UK326D1;H2326	130	280	90	67	178.3	115	121	23	165	16.9
125	UK328D1;H2328	140	300	95	71	190.4	125	131	24	180	17.7

Remarks: 1) These numbers indicate relubricatable type. If maintenance free type is needed, please order without suffix "D1".

2) Adapter number with suffix "X" means a narrow slot type adapter sleeve.

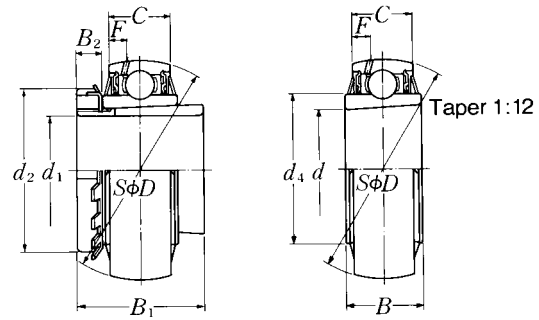
In this case the lock washer with the straight inner prong should be used.

3) For HE2311XY, screw thread pitch different from the standard is applied, because of the thin thread section of sleeve.

To distinguish it, a suffix "Y" is added.

Basic load ratings		Mass	
N dynamic C_r	lbf static C_{or}	kg	lb
113 000	77 000	4.84	11.1
25 500	17 400	10.9	
123 000	86 500	5.75	12.9
27 600	19 500	12.7	
133 000	97 000	6.72	14.9
29 800	21 800	14.6	
143 000	107 000	7.87	17.2
32 000	24 100		
153 000	119 000	9.02	20.4
34 500	26 600		
173 000	141 000	11.1	24.7
39 000	31 500	25.1	
205 000	179 000	14.9	
207 000	185 000	18.0	
229 000	214 000	23.3	
253 000	246 000	28.9	

Ball bearings Adapter type



UKX...D1;H, HA, HE, HS

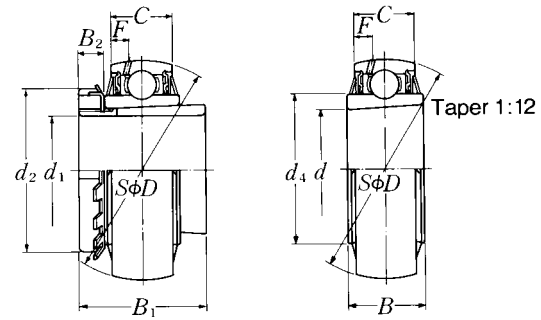
UKX...D1

Shaft dia. mm inch	Bearing number ^{1) 2) 3)}	Nominal dimensions									
		mm					inch				
		<i>d</i>	<i>D</i>	<i>B</i>	<i>C</i>	<i>d</i> ₄	<i>d</i> ₁	<i>B</i> ₁	<i>B</i> ₂	<i>d</i> ₂	<i>F</i>
20 $\frac{3}{4}$	UKX05D1;H2305X UKX05D1;HE2305	25 0.9843	62 2.4409	26 1.0236	19 0.7480	40.8 1.606	20 $\frac{3}{4}$	35 1.378	8 0.315	38 1.496	4.6 0.181
25 $\frac{7}{8}$ 1	UKX06D1;H2306X UKX06D1;HS2306 UKX06D1;HE2306X	30 1.1811	72 2.8346	29 1.1417	20 0.7874	46.8 1.843	25 $\frac{7}{8}$ 1	38 1.496	8 0.315	45 1.772	4.6 0.181
30 $1\frac{1}{8}$	UKX07D1;H2307X UKX07D1;HS2307	35 1.3780	80 3.1496	31 1.2205	21 0.8268	53 2.087	30 $1\frac{1}{8}$	43 1.693	9 0.354	52 2.047	4.5 0.177
35 $1\frac{1}{4}$ $1\frac{3}{8}$	UKX08D1;H2308X UKX08D1;HE2308X UKX08D1;HS2308X	40 1.5748	85 3.3465	31 1.2205	22 0.8661	57.5 2.264	35 $1\frac{1}{4}$ $1\frac{3}{8}$	46 1.811	10 0.394	58 2.283	4.9 0.193
40 $1\frac{1}{16}$ $1\frac{1}{2}$ $1\frac{5}{8}$	UKX09D1;H2309X UKX09D1;HA2309 UKX09D1;HE2309X UKX09D1;HS2309X	45 1.7717	90 3.5433	32 1.2598	24 0.9449	62.4 2.457	40 $1\frac{1}{16}$ $1\frac{1}{2}$ $1\frac{5}{8}$	50 1.969	11 0.433	65 2.559	5.9 0.232
45 $1\frac{5}{8}$ $1\frac{11}{16}$ $1\frac{3}{4}$	UKX10D1;H2310X UKX10D1;HS2310 UKX10D1;HA2310 UKX10D1;HE2310X	50 1.9685	100 3.9370	35 1.3780	25 0.9843	69 2.717	45 $1\frac{5}{8}$ $1\frac{11}{16}$ $1\frac{3}{4}$	55 2.165	12 0.472	70 2.756	6.0 0.236
50 $1\frac{7}{8}$ $1\frac{15}{16}$ 2	UKX11D1;H2311X UKX11D1;HS2311 UKX11D1;HA2311 UKX11D1;HE2311XY	55 2.1654	110 4.3307	38 1.4961	27 1.0630	77 3.031	50 $1\frac{7}{8}$ $1\frac{15}{16}$ 2	59 2.323	12 0.472	75 2.953	6.2 0.244
55 $2\frac{1}{8}$	UKX12D1;H2312X UKX12D1;HS2312	60 2.3622	120 4.7244	40 1.5748	32 1.2598	82.5 3.248	55 $2\frac{1}{8}$	62 2.441	13 0.512	80 3.150	8.7 0.343
60 $2\frac{3}{16}$ $2\frac{1}{4}$ $2\frac{3}{8}$	UKX13D1;H2313X UKX13D1;HA2313 UKX13D1;HE2313X UKX13D1;HS2313X	65 2.5591	125 4.9213	42 1.6535	33 1.2992	87 3.425	60 $2\frac{3}{16}$ $2\frac{1}{4}$ $2\frac{3}{8}$	65 2.559	14 0.551	85 3.346	8.8 0.346

Remarks: 1) These numbers indicate relubricatable type. If maintenance free type is needed, please order without suffix "D1".
 2) Adapter number with suffix "X" means a narrow slot type adapter sleeve.
 In this case the lock washer with the straight inner prong should be used.
 3) For HE2311XY, screw thread pitch different from the standard is applied, because of the thin thread section of sleeve.
 To distinguish it, a suffix "Y" is added.

Basic load ratings		Mass	
N dynamic C_r	lbf static C_{or}	kg	lb
19 500	11 300	0.38	
4 400	2 540	0.85	
25 700	15 300	0.53	
		1.24	
5 750	3 450	1.16	
29 100	17 800	0.75	
6 550	4 000	1.70	
32 500	20 400	0.85	
		2.01	
7 350	4 600	1.88	
35 000	23 200	0.97	
		2.32	
7 900	5 200	2.24	
		2.07	
43 500	29 200	1.29	
		3.09	
9 750	6 550	2.99	
		2.88	
52 500	36 000	1.66	
		3.84	
11 800	8 150	3.72	
		3.58	
57 500	40 000	2.07	
12 900	9 000	4.66	
62 000	44 000	2.19	
		5.28	
14 000	9 900	5.12	
		4.79	

Ball bearings Adapter type



UKX...D1;H, HA, HE, HS

UKX...D1

Shaft dia. mm inch	Bearing number ^{1) 2) 3)}	Nominal dimensions									
		mm					inch				
		<i>d</i>	<i>D</i>	<i>B</i>	<i>C</i>	<i>d</i> ₄	<i>d</i> ₁	<i>B</i> ₁	<i>B</i> ₂	<i>d</i> ₂	<i>F</i>
65 2 ⁷ / ₁₆ 2 ¹ / ₂	UKX15D1;H2315X UKX15D1;HA2315 UKX15D1;HE2315X	75	140	45	35	98.1	65	73	15	98	9.5
		2.9528	5.5118	1.7717	1.3780	3.862	2 ⁷ / ₁₆ 2 ¹ / ₂	2.874	0.591	3.858	0.374
70 2 ¹¹ / ₁₆ 2 ³ / ₄	UKX16D1;H2316X UKX16D1;HA2316 UKX16D1;HE2316X	80	150	46	36	106.4	70	78	17	105	10.1
		3.1496	5.9055	1.8110	1.4173	4.189	2 ¹¹ / ₁₆ 2 ³ / ₄	3.071	0.669	4.134	0.398
75 2 ¹⁵ / ₁₆ 3	UKX17D1;H2317X UKX17D1;HA2317X UKX17D1;HE2317X	85	160	47	37	111.6	75	82	18	110	9.8
		3.3465	6.2992	1.8504	1.4567	4.394	2 ¹⁵ / ₁₆ 3	3.228	0.709	4.331	0.386
80 3 ³ / ₁₆	UKX18D1;H2318X UKX18D1;HA2318X	90	170	49	39	118.2	80	86	18	120	10.5
		3.5433	6.6929	1.9291	1.5354	4.654	3 ³ / ₁₆	3.386	0.709	4.724	0.413
90	UKX20D1;H2320X	100	190	57	44	131.3	90	97	20	130	11.3

Remarks: 1) These numbers indicate relubricatable type. If maintenance free type is needed, please order without suffix "D1".

2) Adapter number with suffix "X" means a narrow slot type adapter sleeve.

In this case the lock washer with the straight inner prong should be used.

3) For HE2311XY, screw thread pitch different from the standard is applied, because of the thin thread section of sleeve. To distinguish it, a suffix "Y" is added.

Basic load ratings		Mass	
N dynamic C_r	lbf static C_{or}	kg	lb
72 500	53 000	3.21	7.47
16 300	11 900	7.27	
83 500	64 000	3.87	8.79
18 700	14 300	8.56	
96 000	71 500	4.76	10.6
21 600	16 100	10.3	
109 000	82 000	5.17	11.2
24 500	18 400	11.2	
133 000	105 000	8.03	