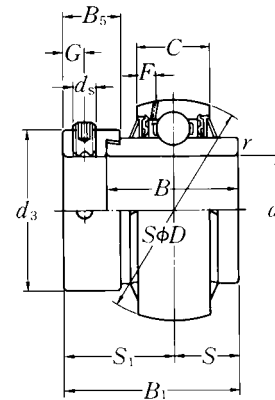


**Ball bearings**  
**Eccentric locking collar type**

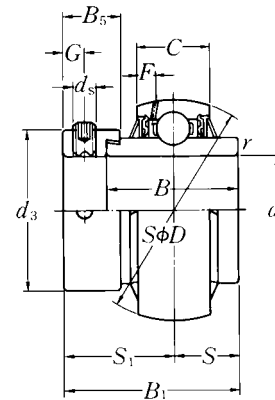


Shaft dia.	Bearing number <sup>1)</sup>	Nominal dimensions										
		<i>d</i>	<i>D</i>	<i>B</i> <sub>1</sub>	<i>B</i>	<i>C</i>	<i>r</i> <sub>s</sub> min.	<i>S</i>	<i>S</i> <sub>1</sub>	<i>G</i>	<i>d</i> <sub>s</sub>	<i>d</i> <sub>3</sub>
mm inch		mm	mm	mm	mm	mm	mm	inch	mm	mm	mm	mm
<b>20</b>	<b>UEL204D1W3</b>	20	47	43.7	34.2	17	1	17.1	26.6	4.8	M6 × 0.75	33
<sup>3</sup> / <sub>4</sub>	<b>UEL204-012D1W3</b>	0.7500	1.8504	1.720	1.3465	0.6693	0.039	0.673	1.047	0.189	<sup>1</sup> / <sub>4</sub> -28UNF	1.299
<b>25</b>	<b>UEL205D1W3</b>	25	52	44.4	34.9	17	1	17.5	26.9	4.8	M6 × 0.75	38
<sup>13</sup> / <sub>16</sub>	<b>UEL205-013D1W3</b>	0.8125										
<sup>7</sup> / <sub>8</sub>	<b>UEL205-014D1W3</b>	0.8750	2.0472	1.748	1.3740	0.6693	0.039	0.689	1.059	0.189	<sup>1</sup> / <sub>4</sub> -28UNF	1.496
<sup>15</sup> / <sub>16</sub>	<b>UEL205-015D1W3</b>	0.9375										
<b>1</b>	<b>UEL205-100D1W3</b>	1.0000										
<b>30</b>	<b>UEL206D1W3</b>	30	62	48.4	36.5	19	1	18.3	30.1	6	M8 × 1	44.5
<sup>1</sup> / <sub>16</sub>	<b>UEL206-101D1W3</b>	1.0625										
<sup>1</sup> / <sub>8</sub>	<b>UEL206-102D1W3</b>	1.1250	2.4409	1.906	1.4370	0.7480	0.039	0.720	1.185	0.236	<sup>5</sup> / <sub>16</sub> -24UNF	1.752
<sup>3</sup> / <sub>16</sub>	<b>UEL206-103D1W3</b>	1.1875										
<sup>1</sup> / <sub>4</sub>	<b>UEL206-104D1W3</b>	1.2500										
<b>35</b>	<b>UEL207D1W3</b>	35	72	51.1	37.6	20	1.5	18.8	32.3	6.8	M10 × 1.25	55.5
<sup>1</sup> / <sub>4</sub>	<b>UEL207-104D1W3</b>	1.2500										
<sup>5</sup> / <sub>16</sub>	<b>UEL207-105D1W3</b>	1.3125	2.8346	2.012	1.4803	0.7874	0.059	0.740	1.272	0.268	<sup>3</sup> / <sub>8</sub> -24UNF	2.185
<sup>1</sup> / <sub>8</sub>	<b>UEL207-106D1W3</b>	1.3750										
<sup>1</sup> / <sub>16</sub>	<b>UEL207-107D1W3</b>	1.4375										
<b>40</b>	<b>UEL208D1W3</b>	40	80	56.3	42.8	21	1.5	21.4	34.9	6.8	M10 × 1.25	60
<sup>1</sup> / <sub>2</sub>	<b>UEL208-108D1W3</b>	1.5000	3.1496	2.217	1.6850	0.8268	0.059	0.843	1.374	0.268	<sup>3</sup> / <sub>8</sub> -24UNF	2.362
<sup>9</sup> / <sub>16</sub>	<b>UEL208-109D1W3</b>	1.5625										
<b>45</b>	<b>UEL209D1W3</b>	45	85	56.3	42.8	22	1.5	21.4	34.9	6.8	M10 × 1.25	63.5
<sup>5</sup> / <sub>8</sub>	<b>UEL209-110D1W3</b>	1.6250										
<sup>11</sup> / <sub>16</sub>	<b>UEL209-111D1W3</b>	1.6875	3.3465	2.217	1.6850	0.8661	0.059	0.843	1.374	0.268	<sup>3</sup> / <sub>8</sub> -24UNF	2.500
<sup>3</sup> / <sub>4</sub>	<b>UEL209-112D1W3</b>	1.7500										
<b>50</b>	<b>UEL210D1W3</b>	50	90	62.7	49.2	24	1.5	24.6	38.1	6.8	M10 × 1.25	69.5
<sup>13</sup> / <sub>16</sub>	<b>UEL210-113D1W3</b>	1.8125										
<sup>7</sup> / <sub>8</sub>	<b>UEL210-114D1W3</b>	1.8750	3.5433	2.469	1.9370	0.9449	0.059	0.969	1.500	0.268	<sup>3</sup> / <sub>8</sub> -24UNF	2.736
<sup>15</sup> / <sub>16</sub>	<b>UEL210-115D1W3</b>	1.9375										
<b>2</b>	<b>UEL210-200D1W3</b>	2.0000										

Remarks: 1) These numbers indicate relubricatable type. If maintenance free type is needed, please order without suffix "D1".

Nominal dimensions		Basic load ratings		Mass
mm	inch	N dynamic	lbf static	kg lb
$B_5$	$F'$	$C_r$	$C_{or}$	
13.5	4.7	12 800	6 650	0.23
0.531	0.185	2 890	1 500	0.45
13.5	4.5	14 000	7 850	0.27
0.531	0.177	3 150	1 770	0.61
				0.58
				0.55
				0.51
15.9	4.6	19 500	11 300	0.45
0.626	0.181	4 400	2 540	0.94
				0.89
				0.84
				0.80
17.5	4.6	25 700	15 300	0.60
0.689	0.181	5 750	3 450	1.45
				1.40
				1.35
				1.28
18.3	4.5	29 100	17 800	0.79
0.720	0.177	6 550	4 000	1.90
				1.82
18.3	4.9	32 500	20 400	0.85
0.720	0.193	7 350	4 600	2.05
				1.97
				1.88
18.3	5.9	35 000	23 200	0.98
0.720	0.232	7 900	5 200	2.46
				2.36
				2.25
				2.09

**Ball bearings**  
**Eccentric locking collar type**

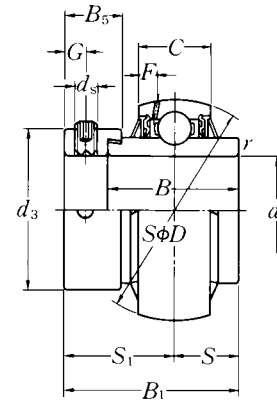


Shaft dia.	Bearing number <sup>1)</sup>	Nominal dimensions											
		<i>d</i>	<i>D</i>	<i>B</i> <sub>1</sub>	<i>B</i>	<i>C</i>	<i>r</i> <sub>s</sub> min.	<i>S</i>	<i>S</i> <sub>1</sub>	<i>G</i>	<i>ds</i>	<i>d</i> <sub>3</sub>	
mm inch						mm	inch						
<b>55</b>	<b>UEL211D1W3</b>	<b>55</b>	<b>100</b>	<b>71.4</b>	<b>55.5</b>	<b>25</b>	<b>2</b>	<b>27.8</b>	<b>43.6</b>	<b>8</b>	<b>M10 × 1.25</b>	<b>76</b>	
<b>2</b>	<b>UEL211-200D1W3</b>	2.0000											
<b>2<sup>1</sup>/<sub>16</sub></b>	<b>UEL211-201D1W3</b>	2.0625	3.9370	2.811	2.1850	0.9843	0.079	1.094	1.717	0.315	<b>3/8-24UNF</b>	2.992	
<b>2<sup>1</sup>/<sub>8</sub></b>	<b>UEL211-202D1W3</b>	2.1250											
<b>2<sup>3</sup>/<sub>16</sub></b>	<b>UEL211-203D1W3</b>	2.1875											
<b>60</b>	<b>UEL212D1W3</b>	<b>60</b>	<b>110</b>	<b>77.8</b>	<b>61.9</b>	<b>27</b>	<b>2</b>	<b>31</b>	<b>46.8</b>	<b>8</b>	<b>M10 × 1.25</b>	<b>84</b>	
<b>2<sup>1</sup>/<sub>4</sub></b>	<b>UEL212-204D1W3</b>	2.2500											
<b>2<sup>5</sup>/<sub>16</sub></b>	<b>UEL212-205D1W3</b>	2.3125	4.3307	3.063	2.4370	1.0630	0.079	1.220	1.843	0.315	<b>3/8-24UNF</b>	3.307	
<b>2<sup>3</sup>/<sub>8</sub></b>	<b>UEL212-206D1W3</b>	2.3750											
<b>2<sup>7</sup>/<sub>16</sub></b>	<b>UEL212-207D1W3</b>	2.4375											
<b>65</b>	<b>UEL213D1W3</b>	<b>65</b>	<b>120</b>	<b>85.7</b>	<b>68.3</b>	<b>32</b>	<b>2</b>	<b>34.15</b>	<b>51.55</b>	<b>8.7</b>	<b>M10 × 1.25</b>	<b>97</b>	
<b>2<sup>1</sup>/<sub>2</sub></b>	<b>UEL213-208D1W3</b>	2.5000	4.7244	3.374	2.6890	1.2598	0.079	1.344	2.030	0.343	<b>3/8-24UNF</b>	3.819	
<b>2<sup>9</sup>/<sub>16</sub></b>	<b>UEL213-209D1W3</b>	2.5625											
<b>70</b>	<b>UEL214D1W3</b>	<b>70</b>	<b>125</b>	<b>85.7</b>	<b>68.3</b>	<b>33</b>	<b>2</b>	<b>34.15</b>	<b>51.55</b>	<b>8.7</b>	<b>M10 × 1.25</b>	<b>97</b>	
<b>2<sup>5</sup>/<sub>8</sub></b>	<b>UEL214-210D1W3</b>	2.6250											
<b>2<sup>11</sup>/<sub>16</sub></b>	<b>UEL214-211D1W3</b>	2.6875	4.9213	3.374	2.6890	1.2992	0.079	1.344	2.030	0.343	<b>3/8-24UNF</b>	3.819	
<b>2<sup>3</sup>/<sub>4</sub></b>	<b>UEL214-212D1W3</b>	2.7500											
<b>75</b>	<b>UEL215D1W3</b>	<b>75</b>	<b>130</b>	<b>92</b>	<b>74.6</b>	<b>34</b>	<b>2</b>	<b>37.3</b>	<b>54.7</b>	<b>8.7</b>	<b>M10 × 1.25</b>	<b>102</b>	
<b>2<sup>13</sup>/<sub>16</sub></b>	<b>UEL215-213D1W3</b>	2.8125											
<b>2<sup>7</sup>/<sub>8</sub></b>	<b>UEL215-214D1W3</b>	2.8750	5.1181	3.622	2.9370	1.3386	0.079	1.469	2.154	0.343	<b>3/8-24UNF</b>	4.016	
<b>2<sup>15</sup>/<sub>16</sub></b>	<b>UEL215-215D1W3</b>	2.9375											
<b>3</b>	<b>UEL215-300D1W3</b>	3.0000											

Remarks: 1) These numbers indicate relubricatable type. If maintenance free type is needed, please order without suffix "D1".

Nominal dimensions		Basic load ratings		Mass
mm	inch	N dynamic	lbf static	kg lb
$B_5$	$F$	$C_r$	$C_{or}$	
20.7	6.0	43 500	29 200	1.32 3.28
0.815	0.236	9 750	6 550	3.12 3.02 2.90
22.3	6.2	52 500	36 000	1.87 4.38
0.878	0.244	11 800	8 150	4.22 4.05 3.88
23.8	8.7	57 500	40 000	2.48 5.47
0.937	0.343	12 900	9 000	5.30
23.8	8.8	62 000	44 000	2.47 5.67
0.937	0.346	14 000	9 900	5.45 5.18
23.8	9.0	66 000	49 500	2.68 6.39
0.937	0.354	14 900	11 100	6.15 5.91 5.60

**Ball bearings**  
**Eccentric locking collar type**

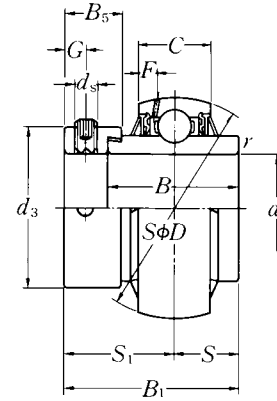


Shaft dia.	Bearing number <sup>1)</sup>	Nominal dimensions										
		<i>d</i>	<i>D</i>	<i>B</i> <sub>1</sub>	<i>B</i>	<i>C</i>	<i>r</i> <sub>s</sub> min.	<i>S</i>	<i>S</i> <sub>1</sub>	<i>G</i>	<i>d</i> <sub>s</sub>	<i>d</i> <sub>3</sub>
mm inch						mm	inch					
<b>25</b>	<b>UEL305D1W3</b>	25	62	46.8	34.9	20	1.5	16.7	30.1	6	M8 × 1	42.8
<sup>13</sup> / <sub>16</sub>	<b>UEL305-013D1W3</b>	0.8125										
<sup>7</sup> / <sub>8</sub>	<b>UEL305-014D1W3</b>	0.8750	2.4409	1.843	1.3740	0.7874	0.059	0.657	1.185	0.236	<sup>5</sup> / <sub>16</sub> -24UNF	1.685
<sup>15</sup> / <sub>16</sub>	<b>UEL305-015D1W3</b>	0.9375										
<b>1</b>	<b>UEL305-100D1W3</b>	1.0000										
<b>30</b>	<b>UEL306D1W3</b>	30	72	50	36.5	23	1.5	17.5	32.5	6.7	M8 × 1	50
<sup>1</sup> / <sub>16</sub>	<b>UEL306-101D1W3</b>	1.0625										
<sup>1</sup> / <sub>8</sub>	<b>UEL306-102D1W3</b>	1.1250	2.8346	1.969	1.4370	0.9055	0.059	0.689	1.280	0.264	<sup>5</sup> / <sub>16</sub> -24UNF	1.969
<sup>1</sup> / <sub>16</sub>	<b>UEL306-103D1W3</b>	1.1875										
<b>35</b>	<b>UEL307D1W3</b>	35	80	51.6	38.1	25	2	18.3	33.3	6.7	M8 × 1	55
<sup>1</sup> / <sub>4</sub>	<b>UEL307-104D1W3</b>	1.2500										
<sup>5</sup> / <sub>16</sub>	<b>UEL307-105D1W3</b>	1.3125	3.1496	2.031	1.5000	0.9843	0.079	0.720	1.311	0.264	<sup>5</sup> / <sub>16</sub> -24UNF	2.165
<sup>3</sup> / <sub>8</sub>	<b>UEL307-106D1W3</b>	1.3750										
<sup>1</sup> / <sub>16</sub>	<b>UEL307-107D1W3</b>	1.4375										
<b>40</b>	<b>UEL308D1W3</b>	40	90	57.1	41.3	27	2	19.8	37.3	8	M10 × 1.25	63.5
<sup>1</sup> / <sub>2</sub>	<b>UEL308-108D1W3</b>	1.5000	3.5433	2.248	1.6260	1.0630	0.079	0.780	1.469	0.315	<sup>3</sup> / <sub>8</sub> -24UNF	2.500
<sup>1</sup> / <sub>16</sub>	<b>UEL308-109D1W3</b>	1.5625										
<b>45</b>	<b>UEL309D1W3</b>	45	100	58.7	42.9	29	2	19.8	38.9	8	M10 × 1.25	70
<sup>5</sup> / <sub>8</sub>	<b>UEL309-110D1W3</b>	1.6250										
<sup>11</sup> / <sub>16</sub>	<b>UEL309-111D1W3</b>	1.6875	3.9370	2.311	1.6890	1.1417	0.079	0.780	1.531	0.315	<sup>3</sup> / <sub>8</sub> -24UNF	2.756
<sup>3</sup> / <sub>4</sub>	<b>UEL309-112D1W3</b>	1.7500										
<b>50</b>	<b>UEL310D1W3</b>	50	110	66.6	49.2	32	2.5	24.6	42	8.7	M10 × 1.25	76.2
<sup>13</sup> / <sub>16</sub>	<b>UEL310-113D1W3</b>	1.8125										
<sup>1</sup> / <sub>8</sub>	<b>UEL310-114D1W3</b>	1.8750	4.3307	2.622	1.9370	1.2598	0.098	0.969	1.654	0.343	<sup>3</sup> / <sub>8</sub> -24UNF	3.000
<sup>15</sup> / <sub>16</sub>	<b>UEL310-115D1W3</b>	1.9375										
<b>55</b>	<b>UEL311D1W3</b>	55	120	73	55.6	34	2.5	27.8	45.2	8.7	M10 × 1.25	83
<b>2</b>	<b>UEL311-200D1W3</b>	2.0000										
<sup>2</sup> / <sub>16</sub>	<b>UEL311-201D1W3</b>	2.0625	4.7244	2.874	2.1890	1.3386	0.098	1.094	1.780	0.343	<sup>3</sup> / <sub>8</sub> -24UNF	3.268
<sup>2</sup> / <sub>8</sub>	<b>UEL311-202D1W3</b>	2.1250										
<sup>2</sup> / <sub>16</sub>	<b>UEL311-203D1W3</b>	2.1875										

Remarks: 1) These numbers indicate relubricatable type. If maintenance free type is needed, please order without suffix "D1".

Nominal dimensions		Basic load ratings		Mass
mm	inch	N dynamic	lbf static	kg lb
$B_5$	$F$	$C_r$	$C_{or}$	
15.9	5.0	21 200	10 900	0.43 1.09
0.626	0.197	4 750	2 460	1.05 1.01 0.96
17.5	5.9	26 700	15 000	0.69 1.57
0.689	0.232	6 000	3 400	1.51 1.45
17.5	6.8	33 500	19 100	0.80 1.92
0.689	0.268	7 500	4 300	1.84 1.77 1.69
20.6	7.4	40 500	24 000	1.08 2.58
0.811	0.291	9 150	5 400	2.49
20.6	7.4	53 000	32 000	1.45 3.36
0.811	0.291	11 900	7 200	3.26 3.15
22.2	8.1	62 000	38 500	1.86 4.40
0.874	0.319	13 900	8 600	4.29 4.15
22.2	8.5	71 500	45 000	2.34 5.58
0.874	0.335	16 100	10 100	5.39 5.25 5.08

**Ball bearings**  
**Eccentric locking collar type**

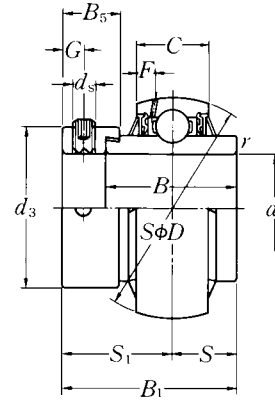


Shaft dia.	Bearing number <sup>1)</sup>	Nominal dimensions											
		<i>d</i>	<i>D</i>	<i>B</i> <sub>1</sub>	<i>B</i>	<i>C</i>	<i>r</i> <sub>s</sub> min.	<i>S</i>	<i>S</i> <sub>1</sub>	<i>G</i>	<i>d</i> <sub>s</sub>	<i>d</i> <sub>3</sub>	
mm inch		mm	inch	mm	inch	mm	inch	mm	inch	mm	inch	mm	inch
<b>60</b>	<b>UEL312D1W3</b>	60	130	79.4	61.9	36	2.5	30.95	48.45	8.7	M10 × 1.25	89	
<b>2<sup>1</sup>/<sub>4</sub></b>	<b>UEL312-204D1W3</b>	2.2500											
<b>2<sup>5</sup>/<sub>16</sub></b>	<b>UEL312-205D1W3</b>	2.3125	5.1181	3.126	2.4370	1.4173	0.098	1.219	1.907	0.343	<sup>3</sup> / <sub>8</sub> -24UNF	3.504	
<b>2<sup>3</sup>/<sub>8</sub></b>	<b>UEL312-206D1W3</b>	2.3750											
<b>2<sup>7</sup>/<sub>16</sub></b>	<b>UEL312-207D1W3</b>	2.4375											
<b>65</b>	<b>UEL313D1W3</b>	65	140	85.7	65.1	39	2.5	32.55	53.15	10.3	M12 × 1.5	97	
<b>2<sup>1</sup>/<sub>2</sub></b>	<b>UEL313-208D1W3</b>	2.5000	5.5118	3.374	2.5630	1.5354	0.098	1.281	2.093	0.406	<sup>1</sup> / <sub>2</sub> -20UNF	3.819	
<b>2<sup>9</sup>/<sub>16</sub></b>	<b>UEL313-209D1W3</b>	2.5625											
<b>70</b>	<b>UEL314D1W3</b>	70	150	92.1	68.3	41	2.5	34.15	57.95	10.3	M12 × 1.5	102	
<b>2<sup>5</sup>/<sub>8</sub></b>	<b>UEL314-210D1W3</b>	2.6250											
<b>2<sup>11</sup>/<sub>16</sub></b>	<b>UEL314-211D1W3</b>	2.6875	5.9055	3.626	2.6890	1.6142	0.098	1.344	2.281	0.406	<sup>1</sup> / <sub>2</sub> -20UNF	4.016	
<b>2<sup>3</sup>/<sub>4</sub></b>	<b>UEL314-212D1W3</b>	2.7500											
<b>75</b>	<b>UEL315D1W3</b>	75	160	100	74.6	43	2.5	37.3	62.7	12.7	M16 × 1.5	113	
<b>2<sup>13</sup>/<sub>16</sub></b>	<b>UEL315-213D1W3</b>	2.8125											
<b>2<sup>7</sup>/<sub>8</sub></b>	<b>UEL315-214D1W3</b>	2.8750	6.2992	3.937	2.9370	1.6929	0.098	1.469	2.469	0.500	<sup>5</sup> / <sub>8</sub> -18UNF	4.449	
<b>2<sup>15</sup>/<sub>16</sub></b>	<b>UEL315-215D1W3</b>	2.9375											
<b>3</b>	<b>UEL315-300D1W3</b>	3.0000											
<b>80</b>	<b>UEL316D1W3</b>	80	170	106.4	81	45	2.5	40.5	65.9	12.7	M16 × 1.5	119	
<b>3<sup>1</sup>/<sub>16</sub></b>	<b>UEL316-301D1W3</b>	3.0625											
<b>3<sup>1</sup>/<sub>8</sub></b>	<b>UEL316-302D1W3</b>	3.1250	6.6929	4.189	3.1890	1.7717	0.098	1.594	2.594	0.500	<sup>5</sup> / <sub>8</sub> -18UNF	4.685	
<b>3<sup>3</sup>/<sub>16</sub></b>	<b>UEL316-303D1W3</b>	3.1875											
<b>85</b>	<b>UEL317D1W3</b>	85	180	109.5	84.1	47	3	42.05	67.45	12.7	M16 × 1.5	127	
<b>3<sup>1</sup>/<sub>4</sub></b>	<b>UEL317-304D1W3</b>	3.2500											
<b>3<sup>5</sup>/<sub>16</sub></b>	<b>UEL317-305D1W3</b>	3.3125	7.0866	4.311	3.3110	1.8504	0.118	1.656	2.656	0.500	<sup>5</sup> / <sub>8</sub> -18UNF	5.000	
<b>3<sup>7</sup>/<sub>16</sub></b>	<b>UEL317-307D1W3</b>	3.4375											
<b>90</b>	<b>UEL318D1W3</b>	90	190	115.9	87.3	49	3	43.65	72.25	14.3	M20 × 1.5	133	
<b>3<sup>7</sup>/<sub>16</sub></b>	<b>UEL318-307D1W3</b>	3.4375	7.4803	4.563	3.4370	1.9291	0.118	1.719	2.844	0.563	<sup>3</sup> / <sub>4</sub> -16UNF	5.236	
<b>3<sup>1</sup>/<sub>2</sub></b>	<b>UEL318-308D1W3</b>	3.5000											
<b>95</b>	<b>UEL319D1W3</b>	95	200	122.3	93.7	51	3	38.9	83.4	14.3	M20 × 1.5	140	
<b>3<sup>5</sup>/<sub>8</sub></b>	<b>UEL319-310D1W3</b>	3.6250											
<b>3<sup>11</sup>/<sub>16</sub></b>	<b>UEL319-311D1W3</b>	3.6875	7.8740	4.815	3.6890	2.0079	0.118	1.531	3.283	0.563	<sup>3</sup> / <sub>4</sub> -16UNF	5.512	
<b>3<sup>3</sup>/<sub>4</sub></b>	<b>UEL319-312D1W3</b>	3.7500											

Remarks: 1) These numbers indicate relubricatable type. If maintenance free type is needed, please order without suffix "D1".

Nominal dimensions		Basic load ratings		Mass
mm	inch	N dynamic	lbf static	kg lb
$B_5$	$F$	$C_r$	$C_{or}$	
23.9	9.0	82 000	52 000	2.94 6.80
0.941	0.354	18 400	11 700	6.65 6.48 6.19
27	10.1	92 500	60 000	3.67 8.49 8.27
1.063	0.398	20 800	13 400	
30.2	10.5	104 000	68 000	4.40 10.4 10.2 9.96
1.189	0.413	23 400	15 300	
31.8	11.0	113 000	77 000	5.34 13.2 12.9 12.7 12.5
1.252	0.433	25 500	17 400	
31.8	11.4	123 000	86 500	6.70 14.9 14.8 14.6
1.252	0.449	27 600	19 500	
31.8	12.0	133 000	97 000	8.00 18.0 17.7 17.0
1.252	0.472	29 800	21 800	
36.5	12.3	143 000	107 000	9.10 20.7 20.2
1.437	0.484	32 000	24 100	
36.5	12.8	153 000	119 000	10.4 23.4 23.0 22.6
1.437	0.504	34 500	26 600	

**Ball bearings**  
**Eccentric locking collar type**

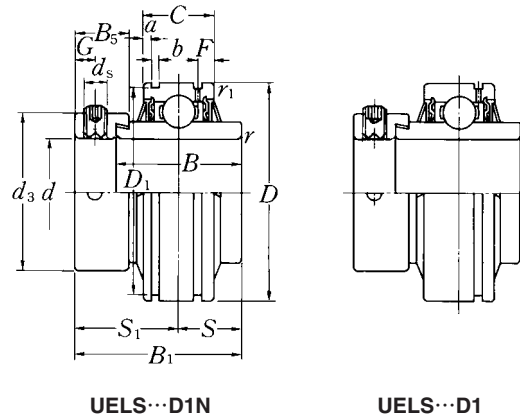


Shaft dia.	Bearing number <sup>1)</sup>	Nominal dimensions											
		<i>d</i>	<i>D</i>	<i>B</i> <sub>1</sub>	<i>B</i>	<i>C</i>	<i>r</i> <sub>s</sub> min.	<i>S</i>	<i>S</i> <sub>1</sub>	<i>G</i>	<i>d</i> <sub>s</sub>	<i>d</i> <sub>3</sub>	
mm inch						mm	inch						
100	UEL320D1W3	100	215	128.6	100	55	3	50	78.6	14.3	M20 × 1.5	146	
3 <sup>13</sup> / <sub>16</sub>	UEL320-313D1W3	3.8125											
3 <sup>7</sup> / <sub>8</sub>	UEL320-314D1W3	3.8750	8.4646	5.063	3.9370	2.1654	0.118	1.969	3.094	0.563	3/4-16UNF	5.748	
3 <sup>15</sup> / <sub>16</sub>	UEL320-315D1W3	3.9375											
4	UEL320-400D1W3	4.0000											
105	UEL321D1W3	105	225	139.7	104.8	57	3	48.4	91.3	17.5	M20 × 1.5	157	
110	UEL322D1W3	110	240	141.3	106.4	59	3	49.2	92.1	17.5	M20 × 1.5	168	

Remarks: 1) These numbers indicate relubricatable type. If maintenance free type is needed, please order without suffix "D1".

Nominal dimensions		Basic load ratings		Mass
mm	inch	N dynamic	lbf static	kg lb
$B_5$	$F$	$C_r$	$C_{or}$	
36.5	13.5	173 000	141 000	12.5 28.5
1.437	0.531	39 000	31 500	28.0 27.6 27.0
42.8	13.9	184 000	153 000	14.6
42.8	13.9	205 000	179 000	17.2

**Ball bearings**  
**Eccentric locking collar type**

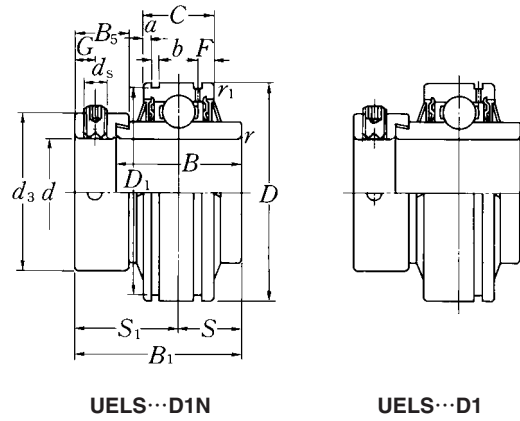


Shaft dia.	Bearing number <sup>1)</sup>	Nominal dimensions										
		d	D	B <sub>1</sub>	B	C	r <sub>s</sub>	r <sub>1s</sub>	S	S <sub>1</sub>	G	
mm inch		mm				inch	min.	min.				
<b>20</b> 3/4	<b>UELS204LD1NW3</b> <b>UELS204-012LD1NW3</b>	20 0.7500	47 1.8504	43.7 1.720	34.2 1.3465	17 0.6693	1 0.039	0.6 0.024	17.1 0.673	26.6 1.047	4.8 0.189	
<b>25</b> 1 13/16 7/8 1 15/16 1	<b>UELS205LD1NW3</b> <b>UELS205-013LD1NW3</b> <b>UELS205-014LD1NW3</b> <b>UELS205-015LD1NW3</b> <b>UELS205-100LD1NW3</b>	25 0.8125 0.8750 0.9375 1.0000	52 2.0472	44.4 1.748	34.9 1.3740	17 0.6693	1 0.039	0.6 0.024	17.5 0.689	26.9 1.059	4.8 0.189	
<b>30</b> 1 1/16 1 1/8 1 3/16 1 1/4	<b>UELS206LD1NW3</b> <b>UELS206-101LD1NW3</b> <b>UELS206-102LD1NW3</b> <b>UELS206-103LD1NW3</b> <b>UELS206-104LD1NW3</b>	30 1.0625 1.1250 1.1875 1.2500	62 2.4409	48.4 1.906	36.5 1.4370	19 0.7480	1 0.039	1 0.039	18.3 0.720	30.1 1.185	6 0.236	
<b>35</b> 1 1/4 1 5/16 1 3/8 1 7/16	<b>UELS207LD1NW3</b> <b>UELS207-104LD1NW3</b> <b>UELS207-105LD1NW3</b> <b>UELS207-106LD1NW3</b> <b>UELS207-107LD1NW3</b>	35 1.2500 1.3125 1.3750 1.4375	72 2.8346	51.1 2.012	37.6 1.4803	20 0.7874	1.5 0.059	1.5 0.059	18.8 0.740	32.3 1.272	6.8 0.268	
<b>40</b> 1 1/2 1 9/16	<b>UELS208LD1NW3</b> <b>UELS208-108LD1NW3</b> <b>UELS208-109LD1NW3</b>	40 1.5000 1.5625	80 3.1496	56.3 2.217	42.8 1.6850	21 0.8268	1.5 0.059	1.5 0.059	21.4 0.843	34.9 1.374	6.8 0.268	
<b>45</b> 1 5/8 1 11/16 1 3/4	<b>UELS209LD1NW3</b> <b>UELS209-110LD1NW3</b> <b>UELS209-111LD1NW3</b> <b>UELS209-112LD1NW3</b>	45 1.6250 1.6875 1.7500	85 3.3465	56.3 2.217	42.8 1.6850	22 0.8661	1.5 0.059	1.5 0.059	21.4 0.843	34.9 1.374	6.8 0.268	
<b>50</b> 1 13/16 1 7/8 1 15/16 2	<b>UELS210LD1NW3</b> <b>UELS210-113LD1NW3</b> <b>UELS210-114LD1NW3</b> <b>UELS210-115LD1NW3</b> <b>UELS210-200LD1NW3</b>	50 1.8125 1.8750 1.9375 2.0000	90 3.5433	62.7 2.469	49.2 1.9370	24 0.9449	1.5 0.059	1.5 0.059	24.6 0.969	38.1 1.500	6.8 0.268	

Remarks: 1) These numbers indicate relubricatable type. If maintenance free type is needed, please order without suffix "D1".

Nominal dimensions							Basic load ratings		Mass
$d_s$	$d_3$	mm $B_s$	inch $D_1$	$a$	$b$	$F$	N dynamic $C_r$	lbf static $C_{or}$	kg lb
M6 × 0.75	33	13.5	44.6	3.1	1.5	4	12 800	6 650	0.23
¼-28UNF	1.299	0.531	1.756	0.122	0.059	0.157	2 890	1 500	0.45
M6 × 0.75	38	13.5	49.73	3.2	1.5	4.1	14 000	7 850	0.27
¼-28UNF	1.496	0.531	1.958	0.126	0.059	0.161	3 150	1 770	0.61
									0.58
									0.55
									0.51
M8 × 1	44.5	15.9	59.61	3.2	2.05	4.2	19 500	11 300	0.45
5/16-24UNF	1.752	0.626	2.347	0.126	0.081	0.165	4 400	2 540	0.94
									0.89
									0.84
									0.80
M10 × 1.25	55.5	17.5	68.81	3.3	2.05	5	25 700	15 300	0.60
3/8-24UNF	2.185	0.689	2.709	0.130	0.081	0.197	5 750	3 450	1.45
									1.40
									1.35
									1.28
M10 × 1.25	60	18.3	76.81	3.4	2.05	5	29 100	17 800	0.79
3/8-24UNF	2.362	0.720	3.024	0.134	0.081	0.197	6 550	4 000	1.90
									1.82
M10 × 1.25	63.5	18.3	81.81	3.5	2.05	5.1	32 500	20 400	0.85
3/8-24UNF	2.500	0.720	3.221	0.138	0.081	0.201	7 350	4 600	2.05
									1.97
									1.88
M10 × 1.25	69.5	18.3	86.79	3.7	2.85	5.6	35 000	23 200	0.98
3/8-24UNF	2.736	0.720	3.417	0.146	0.112	0.220	7 900	5 200	2.46
									2.36
									2.25
									2.09

**Ball bearings**  
**Eccentric locking collar type**

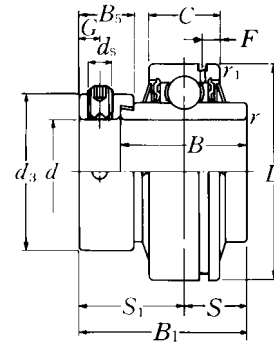


Shaft dia. mm inch	Bearing number <sup>1)</sup>	Nominal dimensions									
		<i>d</i>	<i>D</i>	<i>B</i> <sub>1</sub>	<i>B</i>	<i>C</i>	<i>r</i> <sub>s</sub> min.	<i>r</i> <sub>1s</sub> min.	<i>S</i>	<i>S</i> <sub>1</sub>	<i>G</i>
<b>55</b>	<b>UELS211LD1NW3</b>	<b>55</b>	<b>100</b>	<b>71.4</b>	<b>55.5</b>	<b>25</b>	<b>2</b>	<b>2</b>	<b>27.8</b>	<b>43.6</b>	<b>8</b>
<b>2</b>	<b>UELS211-200LD1NW3</b>	2.0000									
<b>2<sup>1</sup>/<sub>16</sub></b>	<b>UELS211-201LD1NW3</b>	2.0625	3.9370	2.811	2.1850	0.9843	0.079	0.079	1.094	1.717	0.315
<b>2<sup>1</sup>/<sub>8</sub></b>	<b>UELS211-202LD1NW3</b>	2.1250									
<b>2<sup>3</sup>/<sub>16</sub></b>	<b>UELS211-203LD1NW3</b>	2.1875									
<b>60</b>	<b>UELS212LD1NW3</b>	<b>60</b>	<b>110</b>	<b>77.8</b>	<b>61.9</b>	<b>27</b>	<b>2</b>	<b>2</b>	<b>31</b>	<b>46.8</b>	<b>8</b>
<b>2<sup>1</sup>/<sub>4</sub></b>	<b>UELS212-204LD1NW3</b>	2.2500									
<b>2<sup>5</sup>/<sub>16</sub></b>	<b>UELS212-205LD1NW3</b>	2.3125	4.3307	3.063	2.4370	1.0630	0.079	0.079	1.220	1.843	0.315
<b>2<sup>3</sup>/<sub>8</sub></b>	<b>UELS212-206LD1NW3</b>	2.3750									
<b>2<sup>7</sup>/<sub>16</sub></b>	<b>UELS212-207LD1NW3</b>	2.4375									

Remarks: 1) These numbers indicate relubricatable type. If maintenance free type is needed, please order without suffix "D1".

Nominal dimensions							Basic load ratings		Mass
$d_s$	$d_3$	mm $B_3$	inch $D_1$	$a$	$b$	$F$	N dynamic $C_r$	lbf static $C_{or}$	kg lb
M10 × 1.25	76	20.7	96.80	4.4	2.85	5.9	43 500	29 200	1.32 3.28
$\frac{3}{8}$ -24UNF	2.992	0.815	3.811	0.173	0.112	0.232	9 750	6 550	3.12 3.02 2.90
M10 × 1.25	84	22.3	106.81	4.4	2.85	6	52 500	36 000	1.93 4.50
$\frac{3}{8}$ -24UNF	3.307	0.878	4.205	0.173	0.112	0.236	11 800	8 150	4.34 4.17 4.00

**Ball bearings**  
**Eccentric locking collar type**

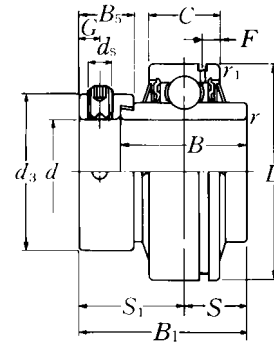


Shaft dia.	Bearing number <sup>1)</sup>	Nominal dimensions										
		<i>d</i>	<i>D</i>	<i>B</i> <sub>1</sub>	<i>B</i>	<i>C</i>	<i>r</i> <sub>s</sub> mm	<i>r</i> <sub>1s</sub> inch	<i>S</i>	<i>S</i> <sub>1</sub>	<i>G</i>	<i>ds</i>
<b>25</b>	<b>UELS305D1W3</b>	25	62	46.8	34.9	20	1.5	0.6	16.7	30.1	6	M8 × 1
$1\frac{3}{16}$	<b>UELS305-013D1W3</b>	0.8125										
$\frac{7}{8}$	<b>UELS305-014D1W3</b>	0.8750	2.4409	1.843	1.3740	0.7874	0.059	0.024	0.657	1.185	0.236	$\frac{5}{16}$ -24UNF
$1\frac{5}{16}$	<b>UELS305-015D1W3</b>	0.9375										
<b>1</b>	<b>UELS305-100D1W3</b>	1.0000										
<b>30</b>	<b>UELS306D1W3</b>	30	72	50	36.5	23	1.5	1	17.5	32.5	6.7	M8 × 1
$1\frac{1}{16}$	<b>UELS306-101D1W3</b>	1.0625										
$1\frac{1}{8}$	<b>UELS306-102D1W3</b>	1.1250	2.8346	1.969	1.4370	0.9055	0.059	0.039	0.689	1.280	0.264	$\frac{5}{16}$ -24UNF
$1\frac{3}{16}$	<b>UELS306-103D1W3</b>	1.1875										
<b>35</b>	<b>UELS307D1W3</b>	35	80	51.6	38.1	25	2	1	18.3	33.3	6.7	M8 × 1
$1\frac{1}{4}$	<b>UELS307-104D1W3</b>	1.2500										
$1\frac{5}{16}$	<b>UELS307-105D1W3</b>	1.3125	3.1496	2.031	1.5000	0.9843	0.079	0.039	0.720	1.311	0.264	$\frac{5}{16}$ -24UNF
$1\frac{3}{8}$	<b>UELS307-106D1W3</b>	1.3750										
$1\frac{7}{16}$	<b>UELS307-107D1W3</b>	1.4375										
<b>40</b>	<b>UELS308D1W3</b>	40	90	57.1	41.3	27	2	1	19.8	37.3	8	M10 × 1.25
$1\frac{1}{2}$	<b>UELS308-108D1W3</b>	1.5000	3.5433	2.248	1.6260	1.0630	0.079	0.039	0.780	1.469	0.315	$\frac{3}{8}$ -24UNF
$1\frac{9}{16}$	<b>UELS308-109D1W3</b>	1.5625										
<b>45</b>	<b>UELS309D1W3</b>	45	100	58.7	42.9	29	2	1	19.8	38.9	8	M10 × 1.25
$1\frac{5}{8}$	<b>UELS309-110D1W3</b>	1.6250										
$1\frac{11}{16}$	<b>UELS309-111D1W3</b>	1.6875	3.9370	2.311	1.6890	1.1417	0.079	0.039	0.780	1.531	0.315	$\frac{3}{8}$ -24UNF
$1\frac{3}{4}$	<b>UELS309-112D1W3</b>	1.7500										
<b>50</b>	<b>UELS310D1W3</b>	50	110	66.6	49.2	32	2.5	1.5	24.6	42	8.7	M10 × 1.25
$1\frac{13}{16}$	<b>UELS310-113D1W3</b>	1.8125										
$1\frac{7}{8}$	<b>UELS310-114D1W3</b>	1.8750	4.3307	2.622	1.9370	1.2598	0.098	0.059	0.969	1.654	0.343	$\frac{3}{8}$ -24UNF
$1\frac{15}{16}$	<b>UELS310-115D1W3</b>	1.9375										
<b>55</b>	<b>UELS311D1W3</b>	55	120	73	55.6	34	2.5	1.5	27.8	45.2	8.7	M10 × 1.25
<b>2</b>	<b>UELS311-200D1W3</b>	2.0000										
$2\frac{1}{16}$	<b>UELS311-201D1W3</b>	2.0625	4.7244	2.874	2.1890	1.3386	0.098	0.059	1.094	1.780	0.343	$\frac{3}{8}$ -24UNF
$2\frac{1}{8}$	<b>UELS311-202D1W3</b>	2.1250										
$2\frac{3}{16}$	<b>UELS311-203D1W3</b>	2.1875										

Remarks: 1) These numbers indicate relubricatable type. If maintenance free type is needed, please order without suffix "D1".

Nominal dimensions			Basic load ratings		Mass
<i>d</i> <sub>3</sub>	mm <i>B</i> <sub>3</sub>	inch <i>F</i>	N dynamic <i>C</i> <sub>r</sub>	lbf static <i>C</i> <sub>0r</sub>	kg lb
42.8	15.9	4.3	21 200	10 900	0.45 1.13
1.685	0.626	0.169	4 750	2 460	1.09 1.05 1.00
50	17.5	5.1	26 700	15 000	0.71 1.62
1.969	0.689	0.201	6 000	3 400	1.56 1.50
55	17.5	5.3	33 500	19 100	0.83 1.99
2.165	0.689	0.209	7 500	4 300	1.91 1.84 1.76
63.5	20.6	5.6	40 500	24 000	1.12 2.67
2.500	0.811	0.220	9 150	5 400	2.58
70	20.6	5.8	53 000	32 000	1.50 3.26
2.756	0.811	0.228	11 900	7 200	3.37 3.26
76.2	22.2	6.3	62 000	38 500	1.93 4.55
3.000	0.874	0.248	13 900	8 600	4.44 4.30
83	22.2	6.5	71 500	45 000	2.42 5.76
3.268	0.874	0.256	16 100	10 100	5.57 5.43 5.26

**Ball bearings**  
**Eccentric locking collar type**

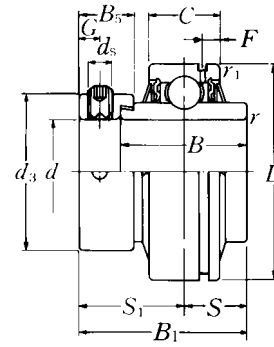


Shaft dia.	Bearing number <sup>1)</sup>	Nominal dimensions										
		<i>d</i>	<i>D</i>	<i>B</i> <sub>1</sub>	<i>B</i>	<i>C</i>	<i>r</i> <sub>s</sub> mm	<i>r</i> <sub>1s</sub> inch	<i>S</i>	<i>S</i> <sub>1</sub>	<i>G</i>	<i>ds</i>
<b>60</b>	<b>UELS312D1W3</b>	60	130	79.4	61.9	36	2.5	1.5	30.95	48.45	8.7	M10 × 1.25
<b>2 1/4</b>	<b>UELS312-204D1W3</b>	2.2500										
<b>2 5/16</b>	<b>UELS312-205D1W3</b>	2.3125	5.1181	3.126	2.4370	1.4173	0.098	0.059	1.219	1.907	0.343	3/8-24UNF
<b>2 3/8</b>	<b>UELS312-206D1W3</b>	2.3750										
<b>2 7/16</b>	<b>UELS312-207D1W3</b>	2.4375										
<b>65</b>	<b>UELS313D1W3</b>	65	140	85.7	65.1	39	2.5	2	32.55	53.15	10.3	M12 × 1.5
<b>2 1/2</b>	<b>UELS313-208D1W3</b>	2.5000	5.5118	3.374	2.5630	1.5354	0.098	0.079	1.281	2.093	0.406	1/2-20UNF
<b>2 9/16</b>	<b>UELS313-209D1W3</b>	2.5625										
<b>70</b>	<b>UELS314D1W3</b>	70	150	92.1	68.3	41	2.5	2	34.15	57.95	10.3	M12 × 1.5
<b>2 5/8</b>	<b>UELS314-210D1W3</b>	2.6250										
<b>2 11/16</b>	<b>UELS314-211D1W3</b>	2.6875	5.9055	3.626	2.6890	1.6142	0.098	0.079	1.344	2.281	0.406	1/2-20UNF
<b>2 3/4</b>	<b>UELS314-212D1W3</b>	2.7500										
<b>75</b>	<b>UELS315D1W3</b>	75	160	100	74.6	43	2.5	2	37.3	62.7	12.7	M16 × 1.5
<b>2 13/16</b>	<b>UELS315-213D1W3</b>	2.8125										
<b>2 7/8</b>	<b>UELS315-214D1W3</b>	2.8750	6.2992	3.937	2.9370	1.6929	0.098	0.079	1.469	2.469	0.500	5/8-18UNF
<b>2 15/16</b>	<b>UELS315-215D1W3</b>	2.9375										
<b>3</b>	<b>UELS315-300D1W3</b>	3.0000										
<b>80</b>	<b>UELS316D1W3</b>	80	170	106.4	81	45	2.5	2	40.5	65.9	12.7	M16 × 1.5
<b>3 1/16</b>	<b>UELS316-301D1W3</b>	3.0625										
<b>3 1/8</b>	<b>UELS316-302D1W3</b>	3.1250	6.6929	4.189	3.1890	1.7717	0.098	0.079	1.594	2.594	0.500	5/8-18UNF
<b>3 3/16</b>	<b>UELS316-303D1W3</b>	3.1875										
<b>85</b>	<b>UELS317D1W3</b>	85	180	109.5	84.1	47	3	2.5	42.05	67.45	12.7	M16 × 1.5
<b>3 1/4</b>	<b>UELS317-304D1W3</b>	3.2500										
<b>3 5/16</b>	<b>UELS317-305D1W3</b>	3.3125	7.0866	4.311	3.3110	1.8504	0.118	0.098	1.656	2.656	0.500	5/8-18UNF
<b>3 7/16</b>	<b>UELS317-307D1W3</b>	3.4375										
<b>90</b>	<b>UELS318D1W3</b>	90	190	115.9	87.3	49	3	2.5	43.65	72.25	14.3	M20 × 1.5
<b>3 7/16</b>	<b>UELS318-307D1W3</b>	3.4375	7.4803	4.563	3.4370	1.9291	0.118	0.098	1.719	2.844	0.563	3/4-16UNF
<b>3 1/2</b>	<b>UELS318-308D1W3</b>	3.5000										

Remarks: 1) These numbers indicate relubricatable type. If maintenance free type is needed, please order without suffix "D1".

Nominal dimensions			Basic load ratings		Mass
$d_3$	mm $B_3$	inch $F$	N dynamic $C_r$	lbf static $C_{or}$	kg lb
89	23.9	6.7	82 000	52 000	3.04 7.01
3.504	0.941	0.264	18 400	11 700	6.86 6.69 6.40
97	27	7.5	92 500	60 000	3.79 8.76
3.819	1.063	0.295	20 800	13 400	8.55
102	30.2	7.5	104 000	68 000	4.54 10.7
4.016	1.189	0.295	23 400	15 300	10.5 10.2
113	31.8	7.7	113 000	77 000	5.50 13.5
4.449	1.252	0.303	25 500	17 400	13.2 13.0 12.9
119	31.8	7.8	123 000	86 500	6.89 15.3
4.685	1.252	0.307	27 600	19 500	15.0 15.3
127	31.8	8.2	133 000	97 000	8.21 18.2
5.000	1.252	0.323	29 800	21 800	17.9 17.2
133	36.5	8.5	143 000	107 000	9.34 21.2
5.236	1.437	0.335	32 000	24 100	20.7

**Ball bearings**  
**Eccentric locking collar type**



Shaft dia.	Bearing number <sup>1)</sup>	Nominal dimensions										
		<i>d</i>	<i>D</i>	<i>B</i> <sub>1</sub>	<i>B</i>	<i>C</i>	<i>r</i> <sub>s</sub> mm	<i>r</i> <sub>1s</sub> inch	<i>S</i>	<i>S</i> <sub>1</sub>	<i>G</i>	<i>ds</i>
<b>95</b>	<b>UELS319D1W3</b>	95	200	122.3	93.7	51	3	2.5	38.9	83.4	14.3	M20 × 1.5
<b>3<sup>5</sup>/<sub>8</sub></b>	<b>UELS319-310D1W3</b>	3.6250										
<b>3<sup>11</sup>/<sub>16</sub></b>	<b>UELS319-311D1W3</b>	3.6875	7.8740	4.815	3.6890	2.0079	0.118	0.098	1.531	3.283	0.563	3/4-16UNF
<b>3<sup>3</sup>/<sub>4</sub></b>	<b>UELS319-312D1W3</b>	3.7500										
<b>100</b>	<b>UELS320D1W3</b>	100	215	128.6	100	55	3	2.5	50	78.6	14.3	M20 × 1.5
<b>3<sup>13</sup>/<sub>16</sub></b>	<b>UELS320-313D1W3</b>	3.8125										
<b>3<sup>7</sup>/<sub>8</sub></b>	<b>UELS320-314D1W3</b>	3.8750	8.4646	5.063	3.9370	2.1654	0.118	0.098	1.969	3.094	0.563	3/4-16UNF
<b>3<sup>15</sup>/<sub>16</sub></b>	<b>UELS320-315D1W3</b>	3.9375										
<b>4</b>	<b>UELS320-400D1W3</b>	4.0000										
<b>105</b>	<b>UELS321D1W3</b>	105	225	139.7	104.8	57	3	2.5	48.4	91.3	17.5	M20 × 1.5
<b>110</b>	<b>UELS322D1W3</b>	110	240	141.3	106.4	59	3	2.5	49.2	92.1	17.5	M20 × 1.5

Remarks: 1) These numbers indicate relubricatable type. If maintenance free type is needed, please order without suffix "D1".

Nominal dimensions			Basic load ratings		Mass
$d_3$	mm $B_3$	inch $F$	N dynamic $C_r$	lbf static $C_{or}$	kg lb
140	36.5	8.7	153 000	119 000	10.7 24.0
5.512	1.437	0.343	34 500	26 600	23.6 23.2
146	36.5	9	173 000	141 000	13.3 29.2
5.748	1.437	0.354	39 000	31 500	28.7 28.3 27.8
157	42.8	9.2	184 000	153 000	15.0
168	42.8	9	205 000	179 000	17.6