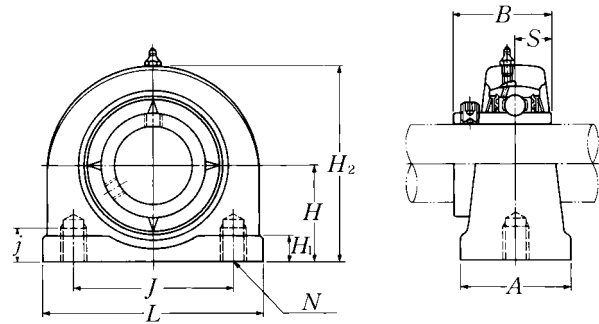


Pillow blocks cast housing
Set screw type



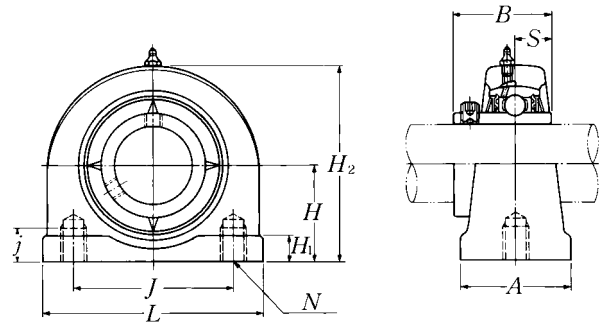
Shaft dia. mm inch	Unit number ¹⁾	Nominal dimensions										Bearing number
		mm					inch					
		H	L	J	A	j	H ₁	H ₂	B	S	N	
12 $\frac{1}{2}$	UCUP201D1 UCUP201-008D1	30.2 $1\frac{3}{16}$	76 3	52 $2\frac{1}{16}$	38 $1\frac{1}{2}$	13 $\frac{1}{2}$	11 $\frac{7}{16}$	62 $2\frac{7}{16}$	31 1.2205	12.7 0.500	M10 × 1.5	UC201D1 UC201-008D1
15 $\frac{9}{16}$ $\frac{5}{8}$	UCUP202D1 UCUP202-009D1 UCUP202-010D1	30.2 $1\frac{3}{16}$	76 3	52 $2\frac{1}{16}$	38 $1\frac{1}{2}$	13 $\frac{1}{2}$	11 $\frac{7}{16}$	62 $2\frac{7}{16}$	31 1.2205	12.7 0.500	M10 × 1.5	UC202D1 UC202-009D1 UC202-010D1
17 $\frac{11}{16}$	UCUP203D1 UCUP203-011D1	30.2 $1\frac{3}{16}$	76 3	52 $2\frac{1}{16}$	38 $1\frac{1}{2}$	13 $\frac{1}{2}$	11 $\frac{7}{16}$	62 $2\frac{7}{16}$	31 1.2205	12.7 0.500	M10 × 1.5	UC203D1 UC203-011D1
20 $\frac{3}{4}$	UCUP204D1 UCUP204-012D1	30.2 $1\frac{3}{16}$	76 3	52 $2\frac{1}{16}$	38 $1\frac{1}{2}$	13 $\frac{1}{2}$	11 $\frac{7}{16}$	62 $2\frac{7}{16}$	31 1.2205	12.7 0.500	M10 × 1.5	UC204D1 UC204-012D1
25 $\frac{13}{16}$ $\frac{7}{8}$ $\frac{15}{16}$ 1	UCUP205D1 UCUP205-013D1 UCUP205-014D1 UCUP205-015D1 UCUP205-100D1	36.5 $1\frac{7}{16}$	84 $3\frac{5}{16}$	56 $2\frac{7}{32}$	38 $1\frac{1}{2}$	15 $\frac{19}{32}$	12 $\frac{15}{32}$	72 $2\frac{27}{32}$	34.1 1.3425	14.3 0.563	M10 × 1.5	UC205D1 UC205-013D1 UC205-014D1 UC205-015D1 UC205-100D1
30 $\frac{11}{16}$ $\frac{1}{8}$ $\frac{13}{16}$ $\frac{1}{4}$	UCUP206D1 UCUP206-101D1 UCUP206-102D1 UCUP206-103D1 UCUP206-104D1	42.9 $1\frac{11}{16}$	94 $3\frac{11}{16}$	66 $2\frac{19}{32}$	48 $1\frac{7}{8}$	18 $\frac{23}{32}$	12 $\frac{15}{32}$	84 $3\frac{5}{16}$	38.1 1.5000	15.9 0.629	M14 × 2	UC206D1 UC206-101D1 UC206-102D1 UC206-103D1 UC206-104D1
35 $\frac{1}{4}$ $\frac{15}{16}$ $\frac{13}{8}$ $\frac{17}{16}$	UCUP207D1 UCUP207-104D1 UCUP207-105D1 UCUP207-106D1 UCUP207-107D1	47.6 $1\frac{7}{8}$	110 $4\frac{11}{32}$	80 $3\frac{5}{32}$	48 $1\frac{7}{8}$	20 $\frac{25}{32}$	13 $\frac{1}{2}$	95 $3\frac{3}{4}$	42.9 1.6890	17.5 0.689	M14 × 2	UC207D1 UC207-104D1 UC207-105D1 UC207-106D1 UC207-107D1
40 $\frac{1}{2}$ $\frac{9}{16}$	UCUP208D1 UCUP208-108D1 UCUP208-109D1	49.2 $1\frac{15}{16}$	116 $4\frac{9}{16}$	84 $3\frac{5}{16}$	54 $2\frac{1}{8}$	20 $\frac{25}{32}$	13 $\frac{1}{2}$	100 $3\frac{15}{16}$	49.2 1.9370	19 0.748	M14 × 2	UC208D1 UC208-108D1 UC208-109D1
45 $\frac{5}{8}$ $\frac{11}{16}$ $\frac{3}{4}$	UCUP209D1 UCUP209-110D1 UCUP209-111D1 UCUP209-112D1	54.2 $2\frac{1}{8}$	120 $4\frac{23}{32}$	90 $3\frac{17}{32}$	54 $2\frac{1}{8}$	25 $\frac{31}{32}$	13 $\frac{1}{2}$	108 $4\frac{1}{4}$	49.2 1.9370	19 0.748	M14 × 2	UC209D1 UC209-110D1 UC209-111D1 UC209-112D1

Remarks: 1) These numbers indicate relubricatable type. If maintenance free type is needed, please order without suffix "D1".

Note: Please refer to page 25 for size of grease fitting.

Housing number	Mass of unit	
	kg	lb
UP204D1	0.6	
UP204D1	1.3	
UP204D1	0.6	
UP204D1	1.3	
UP204D1	0.6	
UP204D1	1.3	
UP204D1	0.6	
UP204D1	1.3	
UP205D1	0.8	
UP205D1		
UP205D1	1.8	
UP205D1		
UP205D1		
UP206D1	1.2	
UP206D1		
UP206D1	2.6	
UP206D1		
UP206D1		
UP207D1	1.7	
UP207D1		
UP207D1	3.7	
UP207D1		
UP207D1		
UP208D1	2.0	
UP208D1	4.4	
UP208D1		
UP209D1	2.2	
UP209D1		
UP209D1	4.9	
UP209D1		

**Pillow blocks cast housing
Set screw type**

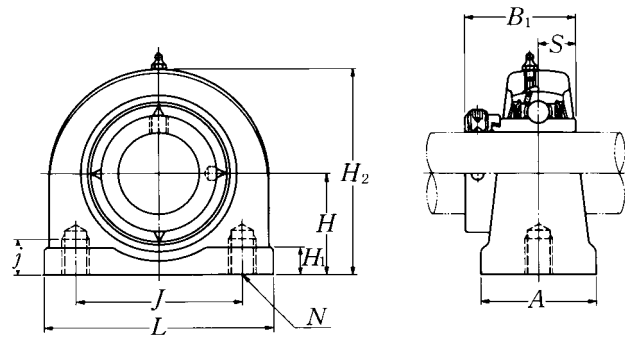


Shaft dia.	Unit number ¹⁾	Nominal dimensions										Bearing number
		mm					inch					
		<i>H</i>	<i>L</i>	<i>J</i>	<i>A</i>	<i>j</i>	<i>H</i> ₁	<i>H</i> ₂	<i>B</i>	<i>S</i>	<i>N</i>	
50	UCUP210D1	57.2	130	94	60	25	14	116	51.6	19	M16 × 2	UC210D1
1¹³/₁₆	UCUP210-113D1											UC210-113D1
1⁷/₈	UCUP210-114D1											UC210-114D1
1¹⁵/₁₆	UCUP210-115D1	2 ¹ / ₄	5 ¹ / ₈	3 ¹¹ / ₁₆	2 ³ / ₈	3 ¹ / ₃₂	9 ¹ / ₁₆	4 ⁹ / ₁₆	2.0315	0.748		UC210-115D1
2	UCUP210-200D1											UC210-200D1

Remarks: 1) These numbers indicate relubricatable type. If maintenance free type is needed, please order without suffix "D1".
Note: Please refer to page 25 for size of grease fitting.

Housing number	Mass of unit	
	kg	lb
UP210D1	2.9	
UP210D1		
UP210D1	6.4	
UP210D1		
UP210D1		

**Pillow blocks cast housing
Eccentric locking collar type**



Shaft dia. mm inch	Unit number ¹⁾	Nominal dimensions										Bearing number
		mm					inch					
		H	L	J	A	j	H ₁	H ₂	B ₁	S	N	
20 3/4	UELUP204D1W3	30.2	76	52	38	13	11	62	43.7	17.1	M10 × 1.5	UEL204D1W3
	UELUP204-012D1W3	1 3/16	3	2 1/16	1 1/2	1/2	7/16	2 7/16	1.720	0.673	M10 × 1.5	UEL204-012D1W3
25 1 3/16 7/8 15/16 1	UELUP205D1W3	36.5	84	56	38	15	12	72	44.4	17.5	M10 × 1.5	UEL205D1W3
	UELUP205-013D1W3											UEL205-013D1W3
	UELUP205-014D1W3	1 7/16	3 5/16	2 7/32	1 1/2	1 9/32	1 5/32	2 27/32	1.748	0.689	M10 × 1.5	UEL205-014D1W3
	UELUP205-015D1W3											UEL205-015D1W3
	UELUP205-100D1W3											UEL205-100D1W3
30 1 1/16 1 1/8 1 3/16 1 1/4	UELUP206D1W3	42.9	94	66	48	18	12	84	48.4	18.3	M14 × 2	UEL206D1W3
	UELUP206-101D1W3											UEL206-101D1W3
	UELUP206-102D1W3	1 11/16	3 11/16	2 19/32	1 7/8	2 3/32	1 5/32	3 5/16	1.906	0.720	M14 × 2	UEL206-102D1W3
	UELUP206-103D1W3											UEL206-103D1W3
	UELUP206-104D1W3											UEL206-104D1W3
35 1 1/4 1 5/16 1 3/8 1 7/16	UELUP207D1W3	47.6	110	80	48	20	13	95	51.1	18.8	M14 × 2	UEL207D1W3
	UELUP207-104D1W3											UEL207-104D1W3
	UELUP207-105D1W3	1 7/8	4 11/32	3 5/32	1 7/8	2 5/32	1 1/2	3 3/4	2.012	0.740	M14 × 2	UEL207-105D1W3
	UELUP207-106D1W3											UEL207-106D1W3
	UELUP207-107D1W3											UEL207-107D1W3
40 1 1/2 1 9/16	UELUP208D1W3	49.2	116	84	54	20	13	100	56.3	21.4	M14 × 2	UEL208D1W3
	UELUP208-108D1W3	1 15/16	4 9/16	3 5/16	2 1/8	2 5/32	1 1/2	3 15/16	2.217	0.843	M14 × 2	UEL208-108D1W3
	UELUP208-109D1W3											UEL208-109D1W3
45 1 5/8 1 11/16 1 3/4	UELUP209D1W3	54.2	120	90	54	25	13	108	56.3	21.4	M14 × 2	UEL209D1W3
	UELUP209-110D1W3											UEL209-110D1W3
	UELUP209-111D1W3	2 1/8	4 23/32	3 17/32	2 1/8	3 1/32	1 1/2	4 1/4	2.217	0.843	M14 × 2	UEL209-111D1W3
	UELUP209-112D1W3											UEL209-112D1W3
50 1 13/16 1 7/8 1 15/16 2	UELUP210D1W3	57.2	130	94	60	25	14	116	62.7	24.6	M16 × 2	UEL210D1W3
	UELUP210-113D1W3											UEL210-113D1W3
	UELUP210-114D1W3	2 1/4	5 1/8	3 11/16	2 3/8	3 1/32	9/16	4 9/16	2.469	0.969	M16 × 2	UEL210-114D1W3
	UELUP210-115D1W3											UEL210-115D1W3
	UELUP210-200D1W3											UEL210-200D1W3

Remarks: 1) These numbers indicate relubricatable type. If maintenance free type is needed, please order without suffix "D1".
Note: Please refer to page 25 for size of grease fitting.

Housing number	Mass of unit	
	kg	lb
UP204D1	0.7	
UP204D1	1.5	
UP205D1	0.9	
UP205D1		
UP205D1	2.0	
UP205D1		
UP205D1		
UP206D1	1.3	
UP206D1		
UP206D1	2.9	
UP206D1		
UP206D1		
UP207D1	1.8	
UP207D1		
UP207D1	4.0	
UP207D1		
UP207D1		
UP208D1	2.1	
UP208D1	4.6	
UP208D1		
UP209D1	2.4	
UP209D1		
UP209D1	5.3	
UP209D1		
UP210D1	3.1	
UP210D1		
UP210D1	6.8	
UP210D1		
UP210D1		