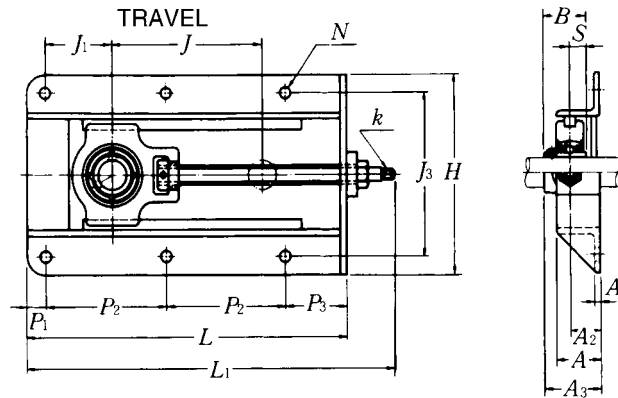


Take-up stretcher units

Set screw type



Shaft dia. mm	Unit ¹⁾ number	Nominal dimensions																
		L	H	J ¹⁾	J ₁	J ₃	A ₁	A ₂	A	P ₁	P ₂	P ₃	N	L ₁	A ₃	B	S	k square
12	UCT201-15	317	199	150	64	154	6	30	50	19	117	64	12	370	48.3	31	12.7	9
15	UCT202-15	317	199	150	64	154	6	30	50	19	117	64	12	370	48.3	31	12.7	9
17	UCT203-15	317	199	150	64	154	6	30	50	19	117	64	12	370	48.3	31	12.7	9
20	UCT204-15	317	199	150	64	154	6	30	50	19	117	64	12	370	48.3	31	12.7	9
25	UCT205-15	317	199	150	63	154	6	30	50	19	117	64	12	370	49.8	34.1	14.3	9
30	UCT206-15	337	212	150	73	166	6	32	50	19	127	64	12	393	54.2	38.1	15.9	10
35	UCT207-23	429	212	230	80	166	6	32	50	19	173	64	12	485	57.4	42.9	17.5	10
40	UCT208-30	520	233	300	88	192	6	32	50	22	217	64	12	593	62.2	49.2	19	15
45	UCT209-30	520	233	300	88	192	6	32	50	22	217	64	12	593	62.2	49.2	19	15
50	UCT210-30	524	233	300	92	192	6	35	50	22	219	64	15	597	67.6	51.6	19	15
55	UCT211-30	542	285	300	90	240	8	38	65	22	230	60	15	626	71.4	55.6	22.2	17
60	UCT212-30	568	285	300	101	240	8	38	65	22	243	60	15	652	77.7	65.1	25.4	17
65	UCT213-30	606	306	300	109	260	8	43	65	22	260	64	15	700	82.7	65.1	25.4	23

Remarks: If relubricatable type is needed, please order with suffix "D1".

Bolt size	Max. load recommended N	Bearing number	Basic load ratings		Mass of unit kg
			dynamic C_r	static C_{or}	
M10	7 650	UC201D1	12 800	6 650	6.4
M10	7 650	UC202D1	12 800	6 650	6.3
M10	7 650	UC203D1	12 800	6 650	6.3
M10	7 650	UC204D1	12 800	6 650	6.3
M10	7 850	UC205D1	14 000	7 850	6.5
M10	9 810	UC206D1	19 500	11 300	7.6
M10	12 750	UC207D1	25 700	15 300	9.2
M10	15 690	UC208D1	29 100	17 800	13
M10	15 690	UC209D1	32 500	20 400	16
M12	16 670	UC210D1	35 000	23 200	16
M12	19 610	UC211D1	43 500	29 200	22
M12	21 570	UC212D1	52 500	36 000	25
M12	23 540	UC213D1	57 500	40 000	33