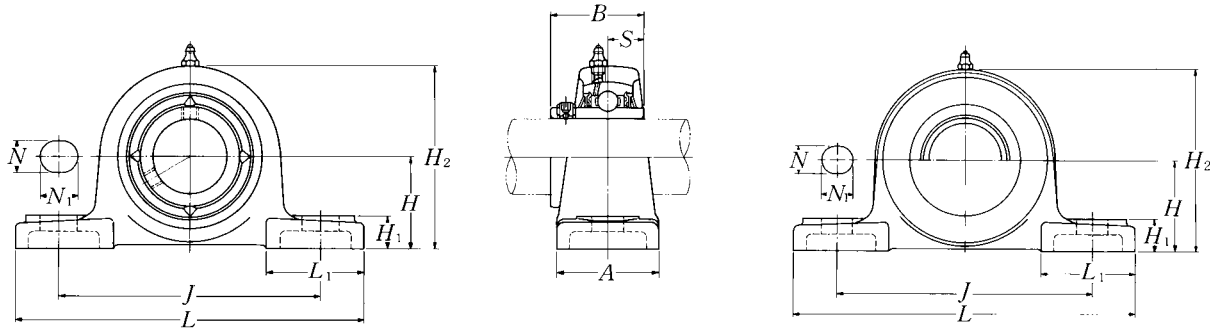


Pillow blocks cast housing Set screw type



Pressed steel dust cover type

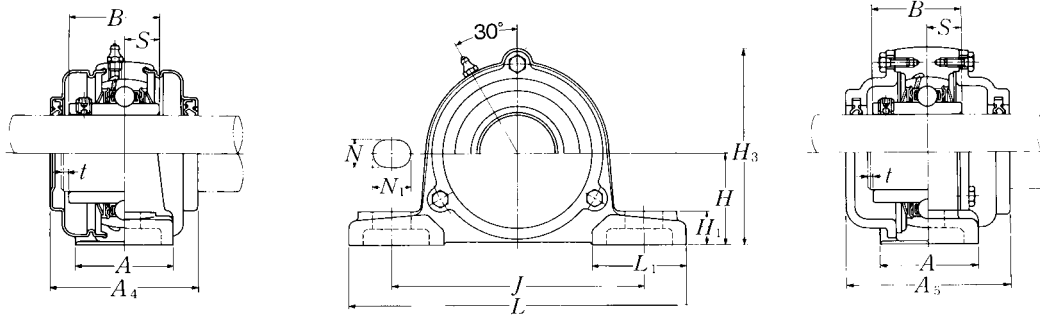
Open end: **S-UCP...D1**

Closed end: **SM-UCP...D1**

Shaft dia. mm inch	Unit number ¹⁾	Nominal dimensions											Bolt size mm inch	Bearing number
		H	L	J	A	N	N ₁	H ₁	H ₂	L ₁	B	S		
12 1/2	UCP201D1	30.2	127	95	38	13	16	14	62	42	31	12.7	M10	UC201D1
	UCP201-008D1	1 ³ / ₁₆	5	3 ³ / ₄	1 ¹ / ₂	1/2	5/8	9/16	2 ⁷ / ₁₆	1 ²¹ / ₃₂	1.2205	0.500	3/8	UC201-008D1
15 9/16 5/8	UCP202D1	30.2	127	95	38	13	16	14	62	42	31	12.7	M10	UC202D1
	UCP202-009D1	1 ³ / ₁₆	5	3 ³ / ₄	1 ¹ / ₂	1/2	5/8	9/16	2 ⁷ / ₁₆	1 ²¹ / ₃₂	1.2205	0.500	3/8	UC202-009D1
	UCP202-010D1	1 ³ / ₁₆	5	3 ³ / ₄	1 ¹ / ₂	1/2	5/8	9/16	2 ⁷ / ₁₆	1 ²¹ / ₃₂	1.2205	0.500	3/8	UC202-010D1
17 11/16	UCP203D1	30.2	127	95	38	13	16	14	62	42	31	12.7	M10	UC203D1
	UCP203-011D1	1 ³ / ₁₆	5	3 ³ / ₄	1 ¹ / ₂	1/2	5/8	9/16	2 ⁷ / ₁₆	1 ²¹ / ₃₂	1.2205	0.500	3/8	UC203-011D1
20 3/4	UCP204D1	33.3	127	95	38	13	16	14	65	42	31	12.7	M10	UC204D1
	UCP204-012D1	1 ⁵ / ₁₆	5	3 ³ / ₄	1 ¹ / ₂	1/2	5/8	9/16	2 ⁹ / ₁₆	1 ²¹ / ₃₂	1.2205	0.500	3/8	UC204-012D1
25 13/16 7/8 15/16 1	UCP205D1	36.5	140	105	38	13	16	15	71	42	34.1	14.3	M10	UC205D1
	UCP205-013D1	1 ⁷ / ₁₆	5 ¹ / ₂	4 ¹ / ₈	1 ¹ / ₂	1/2	5/8	19/32	2 ²⁵ / ₃₂	1 ²¹ / ₃₂	1.3425	0.563	3/8	UC205-013D1
	UCP205-014D1	1 ⁷ / ₁₆	5 ¹ / ₂	4 ¹ / ₈	1 ¹ / ₂	1/2	5/8	19/32	2 ²⁵ / ₃₂	1 ²¹ / ₃₂	1.3425	0.563	3/8	UC205-014D1
	UCP205-015D1	1 ⁷ / ₁₆	5 ¹ / ₂	4 ¹ / ₈	1 ¹ / ₂	1/2	5/8	19/32	2 ²⁵ / ₃₂	1 ²¹ / ₃₂	1.3425	0.563	3/8	UC205-015D1
30 1 1/16 1 1/8 1 3/16 1 1/4	UCP206D1	42.9	165	121	48	17	20	17	83	54	38.1	15.9	M14	UC206D1
	UCP206-101D1	1 ¹¹ / ₁₆	6 ¹ / ₂	4 ³ / ₄	1 ⁷ / ₈	2 ¹ / ₃₂	2 ⁵ / ₃₂	2 ¹ / ₃₂	3 ⁹ / ₃₂	2 ¹ / ₈	1.5000	0.626	1/2	UC206-101D1
	UCP206-102D1	1 ¹¹ / ₁₆	6 ¹ / ₂	4 ³ / ₄	1 ⁷ / ₈	2 ¹ / ₃₂	2 ⁵ / ₃₂	2 ¹ / ₃₂	3 ⁹ / ₃₂	2 ¹ / ₈	1.5000	0.626	1/2	UC206-102D1
	UCP206-103D1	1 ¹¹ / ₁₆	6 ¹ / ₂	4 ³ / ₄	1 ⁷ / ₈	2 ¹ / ₃₂	2 ⁵ / ₃₂	2 ¹ / ₃₂	3 ⁹ / ₃₂	2 ¹ / ₈	1.5000	0.626	1/2	UC206-103D1
35 1 1/4 1 5/16 1 3/8 1 7/16	UCP207D1	47.6	167	127	48	17	20	18	93	54	42.9	17.5	M14	UC207D1
	UCP207-104D1	1 ⁷ / ₈	6 ⁹ / ₁₆	5	1 ⁷ / ₈	2 ¹ / ₃₂	2 ⁵ / ₃₂	2 ³ / ₃₂	3 ²¹ / ₃₂	2 ¹ / ₈	1.6890	0.689	1/2	UC207-104D1
	UCP207-105D1	1 ⁷ / ₈	6 ⁹ / ₁₆	5	1 ⁷ / ₈	2 ¹ / ₃₂	2 ⁵ / ₃₂	2 ³ / ₃₂	3 ²¹ / ₃₂	2 ¹ / ₈	1.6890	0.689	1/2	UC207-105D1
	UCP207-106D1	1 ⁷ / ₈	6 ⁹ / ₁₆	5	1 ⁷ / ₈	2 ¹ / ₃₂	2 ⁵ / ₃₂	2 ³ / ₃₂	3 ²¹ / ₃₂	2 ¹ / ₈	1.6890	0.689	1/2	UC207-106D1
40 1 1/2 1 9/16	UCP208D1	49.2	184	137	54	17	20	18	98	52	49.2	19	M14	UC208D1
	UCP208-108D1	1 ¹⁵ / ₁₆	7 ¹ / ₄	5 ¹³ / ₃₂	2 ¹ / ₈	2 ¹ / ₃₂	2 ⁵ / ₃₂	2 ³ / ₃₂	3 ²⁷ / ₃₂	2 ¹ / ₁₆	1.9370	0.748	1/2	UC208-108D1
	UCP208-109D1	1 ¹⁵ / ₁₆	7 ¹ / ₄	5 ¹³ / ₃₂	2 ¹ / ₈	2 ¹ / ₃₂	2 ⁵ / ₃₂	2 ³ / ₃₂	3 ²⁷ / ₃₂	2 ¹ / ₁₆	1.9370	0.748	1/2	UC208-109D1
45 1 5/8 1 11/16 1 3/4	UCP209D1	54	190	146	54	17	20	20	106	60	49.2	19	M14	UC209D1
	UCP209-110D1	2 ¹ / ₈	7 ¹⁵ / ₃₂	5 ³ / ₄	2 ¹ / ₈	2 ¹ / ₃₂	2 ⁵ / ₃₂	2 ⁵ / ₃₂	4 ³ / ₁₆	2 ³ / ₈	1.9370	0.748	1/2	UC209-110D1
	UCP209-111D1	2 ¹ / ₈	7 ¹⁵ / ₃₂	5 ³ / ₄	2 ¹ / ₈	2 ¹ / ₃₂	2 ⁵ / ₃₂	2 ⁵ / ₃₂	4 ³ / ₁₆	2 ³ / ₈	1.9370	0.748	1/2	UC209-111D1
	UCP209-112D1	2 ¹ / ₈	7 ¹⁵ / ₃₂	5 ³ / ₄	2 ¹ / ₈	2 ¹ / ₃₂	2 ⁵ / ₃₂	2 ⁵ / ₃₂	4 ³ / ₁₆	2 ³ / ₈	1.9370	0.748	1/2	UC209-112D1

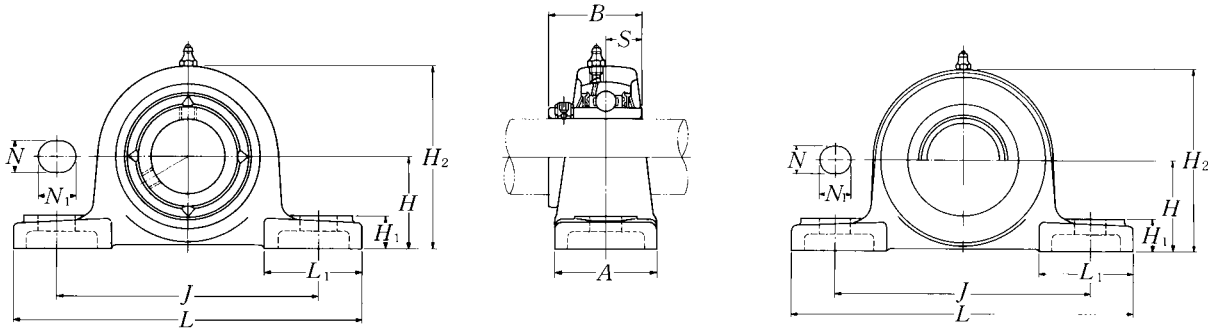
Remarks: 1) These numbers indicate relubricatable type. If maintenance free type is needed, please order without suffix "D1".

Note: Please refer to page 25 for size of grease fitting.

**Cast dust cover type**Open end: **C-UCP...D1**Closed end: **CM-UCP...D1**

Housing number	Unit number pressed steel dust cover type	Unit number cast dust cover type	Nominal dimensions				Mass of unit		
			<i>t</i> max.	mm <i>A</i> ₄	inch <i>H</i> ₃	<i>A</i> ₅	kg UCP	lb S(SM)	lb C(CM)
P203D1	S(SM)-UCP201D1	C(CM)-UCP201D1	2	51	67	62	0.7	0.7	1.0
P203D1	S(SM)-UCP201-008D1	C(CM)-UCP201-008D1	$\frac{5}{64}$	2	$2\frac{41}{64}$	$2\frac{7}{16}$	1.5	1.5	2.2
P203D1	S(SM)-UCP202D1	C(CM)-UCP202D1	2	51	67	62	0.7	0.7	1.0
P203D1	S(SM)-UCP202-009D1	C(CM)-UCP202-009D1	$\frac{5}{64}$	2	$2\frac{41}{64}$	$2\frac{7}{16}$	1.5	1.5	2.2
P203D1	S(SM)-UCP202-010D1	C(CM)-UCP202-010D1	$\frac{5}{64}$	2	$2\frac{41}{64}$	$2\frac{7}{16}$	1.5	1.5	2.2
P203D1	S(SM)-UCP203D1	C(CM)-UCP203D1	2	51	67	62	0.7	0.7	1.0
P203D1	S(SM)-UCP203-011D1	C(CM)-UCP203-011D1	$\frac{5}{64}$	2	$2\frac{41}{64}$	$2\frac{7}{16}$	1.5	1.5	2.2
P204D1	S(SM)-UCP204D1	C(CM)-UCP204D1	2	51	70	62	0.7	0.7	1.0
P204D1	S(SM)-UCP204-012D1	C(CM)-UCP204-012D1	$\frac{5}{64}$	2	$2\frac{3}{4}$	$2\frac{7}{16}$	1.5	1.5	2.2
P205D1	S(SM)-UCP205D1	C(CM)-UCP205D1	2	57	76	70	0.8	0.9	1.2
P205D1	S(SM)-UCP205-013D1	C(CM)-UCP205-013D1	$\frac{5}{64}$	$2\frac{1}{4}$	3	$2\frac{3}{4}$	1.8	2.0	2.6
P205D1	S(SM)-UCP205-014D1	C(CM)-UCP205-014D1	$\frac{5}{64}$	$2\frac{1}{4}$	3	$2\frac{3}{4}$	1.8	2.0	2.6
P205D1	S(SM)-UCP205-015D1	C(CM)-UCP205-015D1	$\frac{5}{64}$	$2\frac{1}{4}$	3	$2\frac{3}{4}$	1.8	2.0	2.6
P205D1	S(SM)-UCP205-100D1	C(CM)-UCP205-100D1	$\frac{5}{64}$	$2\frac{1}{4}$	3	$2\frac{3}{4}$	1.8	2.0	2.6
P206D1	S(SM)-UCP206D1	C(CM)-UCP206D1	2	62	88	75	1.3	1.4	1.9
P206D1	S(SM)-UCP206-101D1	C(CM)-UCP206-101D1	$\frac{5}{64}$	$2\frac{7}{16}$	$3\frac{14}{32}$	$2\frac{14}{16}$	2.9	3.1	4.2
P206D1	S(SM)-UCP206-102D1	C(CM)-UCP206-102D1	$\frac{5}{64}$	$2\frac{7}{16}$	$3\frac{14}{32}$	$2\frac{14}{16}$	2.9	3.1	4.2
P206D1	S(SM)-UCP206-103D1	C(CM)-UCP206-103D1	$\frac{5}{64}$	$2\frac{7}{16}$	$3\frac{14}{32}$	$2\frac{14}{16}$	2.9	3.1	4.2
P206D1	—	—	—	—	—	—	—	—	—
P207D1	S(SM)-UCP207D1	C(CM)-UCP207D1	3	72	99	80	1.6	1.7	2.3
P207D1	S(SM)-UCP207-104D1	C(CM)-UCP207-104D1	$\frac{1}{8}$	$2\frac{26}{32}$	$3\frac{28}{32}$	$3\frac{5}{32}$	3.5	3.7	5.1
P207D1	S(SM)-UCP207-105D1	C(CM)-UCP207-105D1	$\frac{1}{8}$	$2\frac{26}{32}$	$3\frac{28}{32}$	$3\frac{5}{32}$	3.5	3.7	5.1
P207D1	S(SM)-UCP207-106D1	C(CM)-UCP207-106D1	$\frac{1}{8}$	$2\frac{26}{32}$	$3\frac{28}{32}$	$3\frac{5}{32}$	3.5	3.7	5.1
P207D1	—	—	—	—	—	—	—	—	—
P208D1	S(SM)-UCP208D1	C(CM)-UCP208D1	3	82	105	90	1.9	2.1	3.2
P208D1	S(SM)-UCP208-108D1	C(CM)-UCP208-108D1	$\frac{1}{8}$	$3\frac{7}{32}$	$4\frac{1}{8}$	$3\frac{16}{32}$	4.2	4.6	7.1
P208D1	S(SM)-UCP208-109D1	C(CM)-UCP208-109D1	$\frac{1}{8}$	$3\frac{7}{32}$	$4\frac{1}{8}$	$3\frac{16}{32}$	4.2	4.6	7.1
P209D1	S(SM)-UCP209D1	C(CM)-UCP209D1	3	82	113	95	2.2	2.4	3.5
P209D1	S(SM)-UCP209-110D1	C(CM)-UCP209-110D1	$\frac{1}{8}$	$3\frac{7}{32}$	$4\frac{7}{16}$	$3\frac{3}{4}$	4.9	5.3	7.7
P209D1	S(SM)-UCP209-111D1	C(CM)-UCP209-111D1	$\frac{1}{8}$	$3\frac{7}{32}$	$4\frac{7}{16}$	$3\frac{3}{4}$	4.9	5.3	7.7
P209D1	S(SM)-UCP209-112D1	C(CM)-UCP209-112D1	$\frac{1}{8}$	$3\frac{7}{32}$	$4\frac{7}{16}$	$3\frac{3}{4}$	4.9	5.3	7.7

**Pillow blocks cast housing
Set screw type**



Pressed steel dust cover type

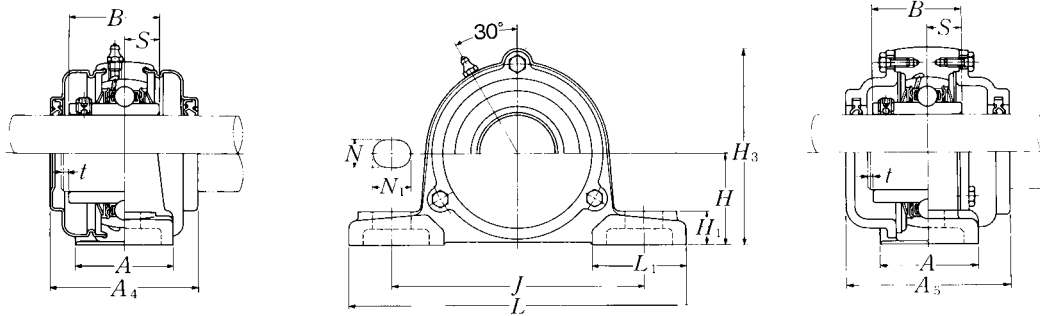
Open end: **S-UCP...D1**

Closed end: **SM-UCP...D1**

Shaft dia.	Unit number ¹⁾	Nominal dimensions											Bolt size	Bearing number
		mm					inch							
		H	L	J	A	N	N ₁	H ₁	H ₂	L ₁	B	S		
50 1 ¹³ / ₁₆ 1 ⁷ / ₈ 1 ¹⁵ / ₁₆ 2	UCP210D1 UCP210-113D1 UCP210-114D1 UCP210-115D1 UCP210-200D1	57.2	206	159	60	20	23	21	114	65	51.6	19	M16	UC210D1 UC210-113D1 UC210-114D1 UC210-115D1 UC210-200D1
55 2 2 ¹ / ₁₆ 2 ¹ / ₈ 2 ³ / ₁₆	UCP211D1 UCP211-200D1 UCP211-201D1 UCP211-202D1 UCP211-203D1	63.5	219	171	60	20	23	23	126	65	55.6	22.2	M16	UC211D1 UC211-200D1 UC211-201D1 UC211-202D1 UC211-203D1
60 2 ¹ / ₄ 2 ⁵ / ₁₆ 2 ³ / ₈ 2 ⁷ / ₁₆	UCP212D1 UCP212-204D1 UCP212-205D1 UCP212-206D1 UCP212-207D1	69.8	241	184	70	20	23	25	138	70	65.1	25.4	M16	UC212D1 UC212-204D1 UC212-205D1 UC212-206D1 UC212-207D1
65 2 ¹ / ₂ 2 ⁹ / ₁₆	UCP213D1 UCP213-208D1 UCP213-209D1	76.2	265	203	70	25	28	27	151	77	65.1	25.4	M20	UC213D1 UC213-208D1 UC213-209D1
70 2 ⁵ / ₈ 2 ¹¹ / ₁₆ 2 ³ / ₄	UCP214D1 UCP214-210D1 UCP214-211D1 UCP214-212D1	79.4	266	210	72	25	28	27	157	77	74.6	30.2	M20	UC214D1 UC214-210D1 UC214-211D1 UC214-212D1
75 2 ¹³ / ₁₆ 2 ⁷ / ₈ 2 ¹⁵ / ₁₆ 3	UCP215D1 UCP215-213D1 UCP215-214D1 UCP215-215D1 UCP215-300D1	82.6	275	217	74	25	28	28	163	80	77.8	33.3	M20	UC215D1 UC215-213D1 UC215-214D1 UC215-215D1 UC215-300D1
80 3 ¹ / ₁₆ 3 ¹ / ₈ 3 ³ / ₁₆	UCP216D1 UCP216-301D1 UCP216-302D1 UCP216-303D1	88.9	292	232	78	25	28	30	175	85	82.6	33.3	M20	UC216D1 UC216-301D1 UC216-302D1 UC216-303D1

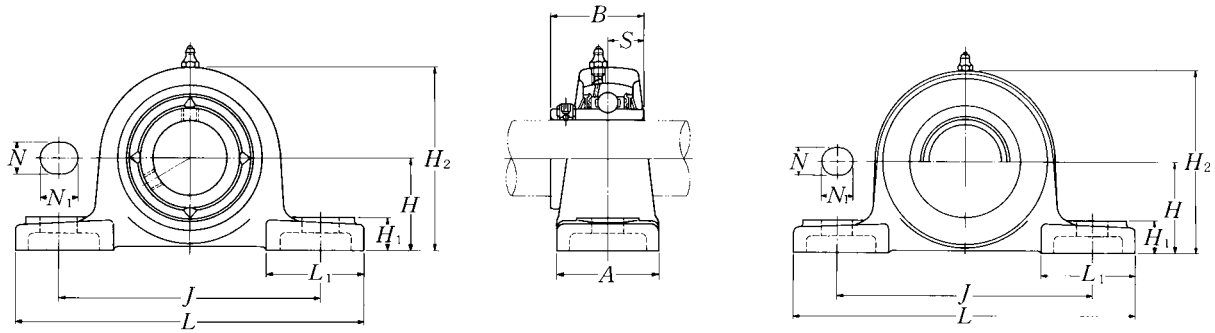
Remarks: 1) These numbers indicate relubricatable type. If maintenance free type is needed, please order without suffix "D1".

Note: Please refer to page 25 for size of grease fitting.

**Cast dust cover type**Open end: **C-UCP...D1**Closed end: **CM-UCP...D1**

Housing number	Unit number pressed steel dust cover type	Unit number cast dust cover type	Nominal dimensions				Mass of unit		
			t max.	mm	inch	A ₅	kg		lb
				A ₄	H ₃		UCP	S(SM)	
P210D1	S(SM)-UCP210D1	C(CM)-UCP210D1	3	87	119	100	2.6	2.8	4.3
P210D1	S(SM)-UCP210-113D1	C(CM)-UCP210-113D1	1/8	3 7/16	4 1/16	3 15/16	5.7	6.2	9.5
P210D1	S(SM)-UCP210-114D1	C(CM)-UCP210-114D1							
P210D1	S(SM)-UCP210-115D1	C(CM)-UCP210-115D1							
P210D1	—	—							
P211D1	S(SM)-UCP211D1	C(CM)-UCP211D1	4	92	130	100	3.3	3.6	5.2
P211D1	S(SM)-UCP211-200D1	C(CM)-UCP211-200D1	5/32	3 5/8	5 1/8	3 15/16	7.3	7.9	11
P211D1	S(SM)-UCP211-201D1	C(CM)-UCP211-201D1							
P211D1	S(SM)-UCP211-202D1	C(CM)-UCP211-202D1							
P211D1	S(SM)-UCP211-203D1	C(CM)-UCP211-203D1							
P212D1	S(SM)-UCP212D1	C(CM)-UCP212D1	4	102	143	115	4.6	5.0	6.7
P212D1	S(SM)-UCP212-204D1	C(CM)-UCP212-204D1	5/32	4 1/32	5 5/8	4 17/32	10	11	15
P212D1	S(SM)-UCP212-205D1	C(CM)-UCP212-205D1							
P212D1	S(SM)-UCP212-206D1	C(CM)-UCP212-206D1							
P212D1	—	—							
P213D1	S(SM)-UCP213D1	C(CM)-UCP213D1	4	107	155	120	5.9	6.3	7.8
P213D1	S(SM)-UCP213-208D1	C(CM)-UCP213-208D1	5/32	4 7/32	6 3/32	4 23/32	13	14	17
P213D1	S(SM)-UCP213-209D1	C(CM)-UCP213-209D1							
P214D1	—	C(CM)-UCP214D1	4	—	162	135	6.6	—	9.3
P214D1	—	C(CM)-UCP214-210D1	5/32	—	6 3/8	5 5/16	15	—	21
P214D1	—	C(CM)-UCP214-211D1							
P214D1	—	C(CM)-UCP214-212D1							
P215D1	—	C(CM)-UCP215D1	4	—	168	135	7.4	—	11
P215D1	—	C(CM)-UCP215-213D1	5/32	—	6 5/8	5 5/16	16	—	24
P215D1	—	C(CM)-UCP215-214D1							
P215D1	—	C(CM)-UCP215-215D1							
P215D1	—	C(CM)-UCP215-300D1							
P216D1	—	C(CM)-UCP216D1	4	—	181	145	9.0	—	13
P216D1	—	C(CM)-UCP216-301D1	5/32	—	7 1/8	5 23/32	20	—	29
P216D1	—	C(CM)-UCP216-302D1							
P216D1	—	C(CM)-UCP216-303D1							

Pillow blocks cast housing Set screw type



Pressed steel dust cover type

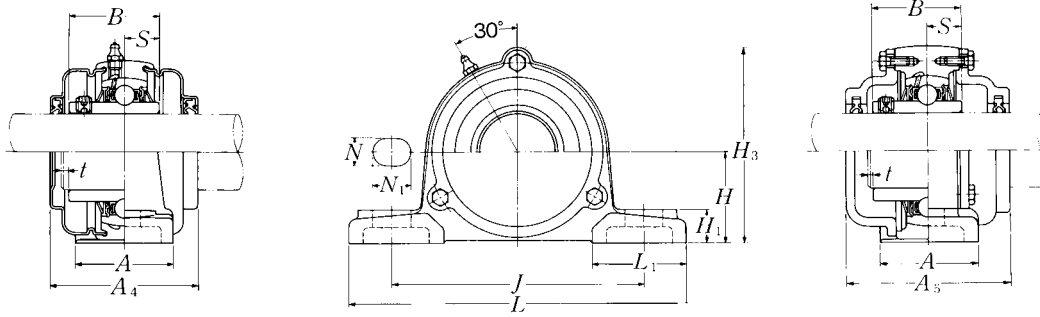
Open end: **S-UCP...D1**

Closed end: **SM-UCP...D1**

Shaft dia.	Unit number ¹⁾	Nominal dimensions											Bolt size	Bearing number
		mm					inch							
		H	L	J	A	N	N ₁	H ₁	H ₂	L ₁	B	S		
85	UCP217D1	95.2	310	247	83	25	28	32	187	85	85.7	34.1	M20	UC217D1
3¹/₄	UCP217-304D1													UC217-304D1
3⁵/₁₆	UCP217-305D1	3 ³ / ₄	12 ⁷ / ₃₂	9 ²³ / ₃₂	3 ⁹ / ₃₂	3 ¹ / ₃₂	1 ³ / ₃₂	1 ¹ / ₄	7 ³ / ₈	3 ¹¹ / ₃₂	3.3740	1.343	3 ³ / ₄	UC217-305D1
3⁷/₁₆	UCP217-307D1													UC217-307D1
90	UCP218D1	101.6	327	262	88	27	30	33	200	90	96	39.7	M22	UC218D1
3¹/₂	UCP218-308D1	4	12 ⁷ / ₈	10 ⁵ / ₁₆	3 ¹⁵ / ₃₂	1 ¹ / ₁₆	1 ³ / ₁₆	1 ⁵ / ₁₆	7 ⁷ / ₈	3 ¹⁷ / ₃₂	3.7795	1.563	7 ⁷ / ₈	UC218-308D1

Remarks: 1) These numbers indicate relubricatable type. If maintenance free type is needed, please order without suffix "D1".

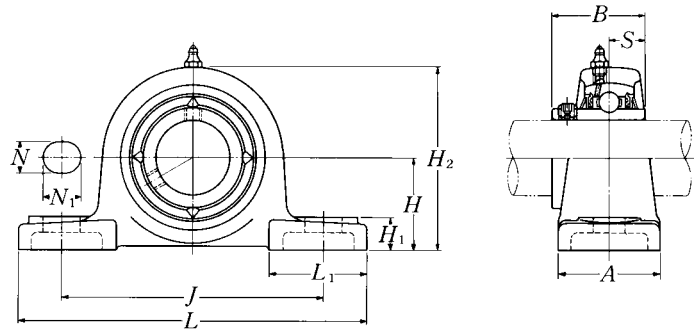
Note: Please refer to page 25 for size of grease fitting.



Cast dust cover type
 Open end: **C-UCP...D1**
 Closed end: **CM-UCP...D1**

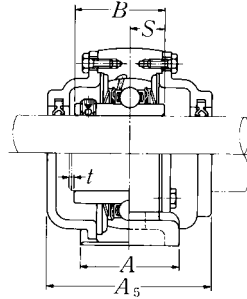
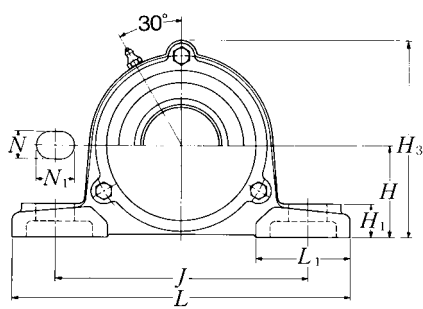
Housing number	Unit number pressed steel dust cover type	Unit number cast dust cover type	Nominal dimensions				Mass of unit		
			<i>t</i> max.	mm	inch	<i>A</i> ₅	kg		lb
				<i>A</i> ₄	<i>H</i> ₃		UCP	S(SM)	
P217D1	—	C(CM)-UCP217D1	5	—	191	155	11	—	15
P217D1	—	C(CM)-UCP217-304D1	13/64	—	7 17/32	6 3/32	24	—	33
P217D1	—	C(CM)-UCP217-305D1							
P217D1	—	C(CM)-UCP217-307D1							
P218D1	—	C(CM)-UCP218D1	5	—	204	165	13	—	18
P218D1	—	C(CM) UCP218-308D1	13/64	—	8 1/32	6 1/2	29	—	40

Pillow blocks cast housing Set screw type



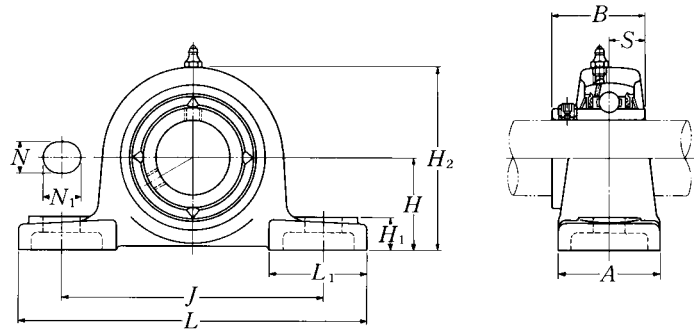
Shaft dia.	Unit number ¹⁾	Nominal dimensions											Bolt size	Bearing number
		mm					inch							
mm inch		H	L	J	A	N	N ₁	H ₁	H ₂	L ₁	B	S	mm inch	
25 1 ³ / ₁₆ 7/ ₈ 1 ⁵ / ₁₆ 1	UCP305D1 UCP305-013D1 UCP305-014D1 UCP305-015D1 UCP305-100D1	45	175	132	45	17	20	15	85	54	38	15	M14	UC305D1 UC305-013D1 UC305-014D1 UC305-015D1 UC305-100D1
30 1 ¹ / ₁₆ 1 ¹ / ₈ 1 ³ / ₁₆	UCP306D1 UCP306-101D1 UCP306-102D1 UCP306-103D1	50	180	140	50	17	20	18	95	54	43	17	M14	UC306D1 UC306-101D1 UC306-102D1 UC306-103D1
35 1 ¹ / ₄ 1 ⁵ / ₁₆ 1 ³ / ₈ 1 ⁷ / ₁₆	UCP307D1 UCP307-104D1 UCP307-105D1 UCP307-106D1 UCP307-107D1	56	210	160	56	17	25	20	106	60	48	19	M14	UC307D1 UC307-104D1 UC307-105D1 UC307-106D1 UC307-107D1
40 1 ¹ / ₂ 1 ⁹ / ₁₆	UCP308D1 UCP308-108D1 UCP308-109D1	60	220	170	60	17	27	22	116	60	52	19	M14	UC308D1 UC308-108D1 UC308-109D1
45 1 ⁵ / ₈ 1 ¹¹ / ₁₆ 1 ³ / ₄	UCP309D1 UCP309-110D1 UCP309-111D1 UCP309-112D1	67	245	190	67	20	30	24	129	65	57	22	M16	UC309D1 UC309-110D1 UC309-111D1 UC309-112D1
50 1 ¹³ / ₁₆ 1 ⁷ / ₈ 1 ¹⁵ / ₁₆	UCP310D1 UCP310-113D1 UCP310-114D1 UCP310-115D1	75	275	212	75	20	35	27	143	75	61	22	M16	UC310D1 UC310-113D1 UC310-114D1 UC310-115D1
55 2 2 ¹ / ₁₆ 2 ¹ / ₈ 2 ³ / ₁₆	UCP311D1 UCP311-200D1 UCP311-201D1 UCP311-202D1 UCP311-203D1	80	310	236	80	20	38	30	154	85	66	25	M16	UC311D1 UC311-200D1 UC311-201D1 UC311-202D1 UC311-203D1

Remarks: 1) These numbers indicate relubricatable type. If maintenance free type is needed, please order without suffix "D1".
Note: Please refer to page 25 for size of grease fitting.

**Cast dust cover type**Open end: **C-UCP...D1**Closed end: **CM-UCP...D1**

Housing number	Unit number cast dust cover type	Nominal dimensions			Mass of unit	
		mm		inch	kg	lb
		t max.	H_3	A_5	UCP	C(CM)
P305D1	C(CM)-UCP305D1	2	91	80	1.4	2.2
P305D1	C(CM)-UCP305-013D1					
P305D1	C(CM)-UCP305-014D1	$\frac{5}{64}$	$3\frac{19}{32}$	$3\frac{5}{32}$	3.1	4.9
P305D1	C(CM)-UCP305-015D1					
P305D1	C(CM)-UCP305-100D1					
P306D1	C(CM)-UCP306D1	2	105	85	1.8	2.7
P306D1	C(CM)-UCP306-101D1					
P306D1	C(CM)-UCP306-102D1	$\frac{5}{64}$	$4\frac{1}{8}$	$3\frac{11}{32}$	4.0	6.0
P306D1	C(CM)-UCP306-103D1					
P307D1	C(CM)-UCP307D1	3	115	95	2.8	3.5
P307D1	C(CM)-UCP307-104D1					
P307D1	C(CM)-UCP307-105D1	$\frac{1}{8}$	$4\frac{17}{32}$	$3\frac{3}{4}$	6.2	7.7
P307D1	C(CM)-UCP307-106D1					
P307D1	C(CM)-UCP307-107D1					
P308D1	C(CM)-UCP308D1	3	125	105	3.0	4.5
P308D1	C(CM)-UCP308-108D1	$\frac{1}{8}$	$4\frac{29}{32}$	$4\frac{1}{8}$	6.6	9.9
P308D1	C(CM)-UCP308-109D1					
P309D1	C(CM)-UCP309D1	3	140	110	4.1	6.1
P309D1	C(CM)-UCP309-110D1					
P309D1	C(CM)-UCP309-111D1	$\frac{1}{8}$	$5\frac{1}{2}$	$4\frac{11}{32}$	9.0	13
P309D1	C(CM)-UCP309-112D1					
P310D1	C(CM)-UCP310D1	3	156	120	5.8	8.4
P310D1	C(CM)-UCP310-113D1					
P310D1	C(CM)-UCP310-114D1	$\frac{1}{8}$	$6\frac{5}{32}$	$4\frac{23}{32}$	13	19
P310D1	C(CM)-UCP310-115D1					
P311D1	C(CM)-UCP311D1	4	166	125	7.4	9.7
P311D1	C(CM)-UCP311-200D1					
P311D1	C(CM)-UCP311-201D1	$\frac{5}{32}$	$6\frac{17}{32}$	$4\frac{29}{32}$	16	21
P311D1	C(CM)-UCP311-202D1					
P311D1	C(CM)-UCP311-203D1					

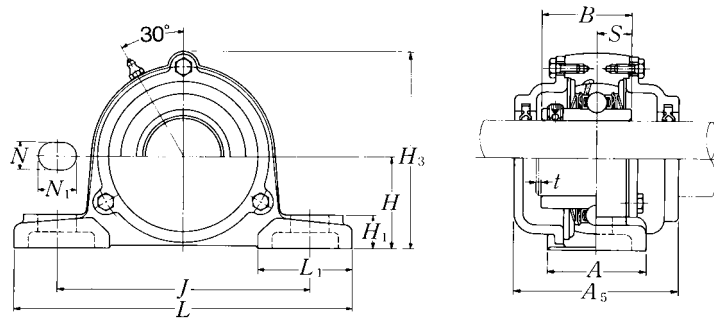
Pillow blocks cast housing Set screw type



Shaft dia.	Unit number ¹⁾	Nominal dimensions											Bolt size	Bearing number
		mm		inch		mm		inch		mm		inch		
mm inch		H	L	J	A	N	N ₁	H ₁	H ₂	L ₁	B	S	mm inch	
60 2¼ 2 ⁵ / ₁₆ 2 ³ / ₈ 2 ⁷ / ₁₆	UCP312D1 UCP312-204D1 UCP312-205D1 UCP312-206D1 UCP312-207D1	85	330	250	85	25	38	32	165	95	71	26	M20	UC312D1 UC312-204D1 UC312-205D1 UC312-206D1 UC312-207D1
65 2½ 2 ⁹ / ₁₆	UCP313D1 UCP313-208D1 UCP313-209D1	90	340	260	90	25	38	33	176	105	75	30	M20	UC313D1 UC313-208D1 UC313-209D1
70 2 ⁵ / ₈ 2 ¹¹ / ₁₆ 2¾	UCP314D1 UCP314-210D1 UCP314-211D1 UCP314-212D1	95	360	280	90	27	40	35	187	105	78	33	M22	UC314D1 UC314-210D1 UC314-211D1 UC314-212D1
75 2 ¹³ / ₁₆ 2 ⁷ / ₈ 2 ¹⁵ / ₁₆ 3	UCP315D1 UCP315-213D1 UCP315-214D1 UCP315-215D1 UCP315-300D1	100	380	290	100	27	40	35	198	110	82	32	M22	UC315D1 UC315-213D1 UC315-214D1 UC315-215D1 UC315-300D1
80 3 ¹ / ₁₆ 3 ¹ / ₈ 3 ³ / ₁₆	UCP316D1 UCP316-301D1 UCP316-302D1 UCP316-303D1	106	400	300	110	27	40	40	210	110	86	34	M22	UC316D1 UC316-301D1 UC316-302D1 UC316-303D1
85 3¼ 3 ⁵ / ₁₆ 3 ⁷ / ₁₆	UCP317D1 UCP317-304D1 UCP317-305D1 UCP317-307D1	112	420	320	110	33	45	40	220	120	96	40	M27	UC317D1 UC317-304D1 UC317-305D1 UC317-307D1
90 3 ⁷ / ₁₆ 3½	UCP318D1 UCP318-307D1 UCP318-308D1	118	430	330	110	33	45	45	235	120	96	40	M27	UC318D1 UC318-307D1 UC318-308D1

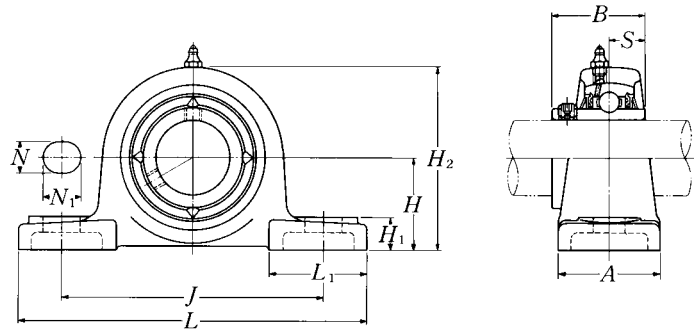
Remarks: 1) These numbers indicate relubricatable type. If maintenance free type is needed, please order without suffix "D1".

Note: Please refer to page 25 for size of grease fitting.

**Cast dust cover type**Open end: **C-UCP...D1**Closed end: **CM-UCP...D1**

Housing number	Unit number cast dust cover type	Nominal dimensions			Mass of unit	
		mm		inch	kg	lb
		<i>t</i> max.	<i>H</i> ₃	<i>A</i> ₅	UCP	C(CM)
P312D1	C(CM)-UCP312D1	4	179	135	9.4	12
P312D1	C(CM)-UCP312-204D1					
P312D1	C(CM)-UCP312-205D1	5/32	7 1/16	5 5/16	21	26
P312D1	C(CM)-UCP312-206D1					
P312D1	C(CM)-UCP312-207D1					
P313D1	C(CM)-UCP313D1	4	190	140	10	15
P313D1	C(CM)-UCP313-208D1	5/32	7 15/32	5 1/2	22	33
P313D1	C(CM)-UCP313-209D1					
P314D1	C(CM)-UCP314D1	4	200	140	12	16
P314D1	C(CM)-UCP314-210D1					
P314D1	C(CM)-UCP314-211D1	5/32	7 7/8	5 1/2	26	35
P314D1	C(CM)-UCP314-212D1					
P315D1	C(CM)-UCP315D1	4	210	150	14	20
P315D1	C(CM)-UCP315-213D1					
P315D1	C(CM)-UCP315-214D1	5/32	8 9/32	5 29/32	31	44
P315D1	C(CM)-UCP315-215D1					
P315D1	C(CM)-UCP315-300D1					
P316D1	C(CM)-UCP316D1	4	221	155	18	23
P316D1	C(CM)-UCP316-301D1					
P316D1	C(CM)-UCP316-302D1	5/32	8 11/16	6 3/32	40	51
P316D1	C(CM)-UCP316-303D1					
P317D1	C(CM)-UCP317D1	5	235	170	20	27
P317D1	C(CM)-UCP317-304D1					
P317D1	C(CM)-UCP317-305D1	13/64	9 1/4	6 11/16	44	60
P317D1	C(CM)-UCP317-307D1					
P318D1	C(CM)-UCP318D1	5	246	170	24	30
P318D1	C(CM)-UCP318-307D1	13/64	9 11/16	6 11/16	53	66
P318D1	C(CM)-UCP318-308D1					

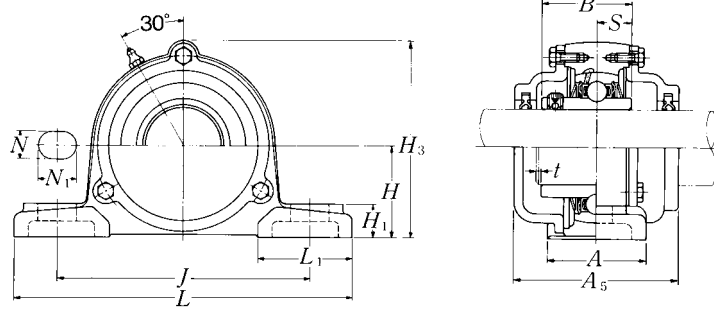
Pillow blocks cast housing
Set screw type



Shaft dia.	Unit number ¹⁾	Nominal dimensions											Bolt size	Bearing number
		mm					inch							
		H	L	J	A	N	N ₁	H ₁	H ₂	L ₁	B	S		
95	UCP319D1	125	470	360	120	36	50	45	250	125	103	41	M30	UC319D1
3⁵/₈	UCP319-310D1													UC319-310D1
3¹¹/₁₆	UCP319-311D1	4 ⁵⁹ / ₆₄	18 ¹ / ₂	14 ³ / ₁₆	4 ²³ / ₃₂	1 ¹³ / ₃₂	1 ³¹ / ₃₂	1 ²⁵ / ₃₂	9 ²⁷ / ₃₂	4 ²⁹ / ₃₂	4.0551	1.614	1 ¹ / ₈	UC319-311D1
3³/₄	UCP319-312D1													UC319-312D1
100	UCP320D1	140	490	380	120	36	50	50	275	130	108	42	M30	UC320D1
3¹³/₁₆	UCP320-313D1													UC320-313D1
3⁷/₈	UCP320-314D1	5 ³³ / ₆₄	19 ⁹ / ₃₂	14 ³¹ / ₃₂	4 ²³ / ₃₂	1 ¹³ / ₃₂	1 ³¹ / ₃₂	1 ³¹ / ₃₂	10 ¹³ / ₁₆	5 ¹ / ₈	4.2520	1.654	1 ¹ / ₈	UC320-314D1
3¹⁵/₁₆	UCP320-315D1													UC320-315D1
4	UCP320-400D1													UC320-400D1
105	UCP321D1	140	490	380	120	36	50	50	280	130	112	44	M30	UC321D1
110	UCP322D1	150	520	400	140	40	55	55	300	135	117	46	M33	UC322D1
120	UCP324D1	160	570	450	140	40	55	65	320	140	126	51	M33	UC324D1
130	UCP326D1	180	600	480	140	40	55	75	355	140	135	54	M33	UC326D1
140	UCP328D1	200	620	500	140	40	55	75	390	140	145	59	M33	UC328D1

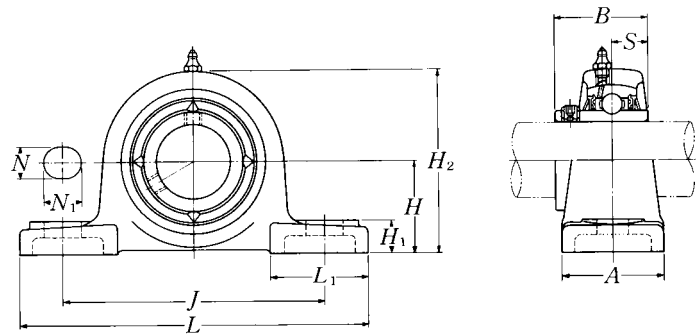
Remarks: 1) These numbers indicate relubricatable type. If maintenance free type is needed, please order without suffix "D1".

Note: Please refer to page 25 for size of grease fitting.

**Cast dust cover type**Open end: **C-UCP...D1**Closed end: **CM-UCP...D1**

Housing number	Unit number cast dust cover type	Nominal dimensions			Mass of unit	
		mm		inch	kg	lb
		t max.	H_3	A_5	UCP	C(CM)
P319D1	C(CM)-UCP319D1	5	258	180	29	38
P319D1	C(CM)-UCP319-310D1					
P319D1	C(CM)-UCP319-311D1	$13/64$	$10^{5/32}$	$7^{3/32}$	64	84
P319D1	C(CM)-UCP319-312D1					
P320D1	C(CM)-UCP320D1	5	283	190	35	46
P320D1	C(CM)-UCP320-313D1					
P320D1	C(CM)-UCP320-314D1	$13/64$	$11^{5/32}$	$7^{15/32}$	77	101
P320D1	C(CM)-UCP320-315D1					
P320D1	C(CM)-UCP320-400D1					
P321D1	C(CM)-UCP321D1	5	290	195	35	51
P322D1	C(CM)-UCP322D1	5	313	200	45	59
P324D1	C(CM)-UCP324D1	5	335	215	55	69
P326D1	C(CM)-UCP326D1	6	375	225	72	92
P328D1	C(CM)-UCP328D1	6	407	235	89	112

Pillow blocks cast housing Set screw type



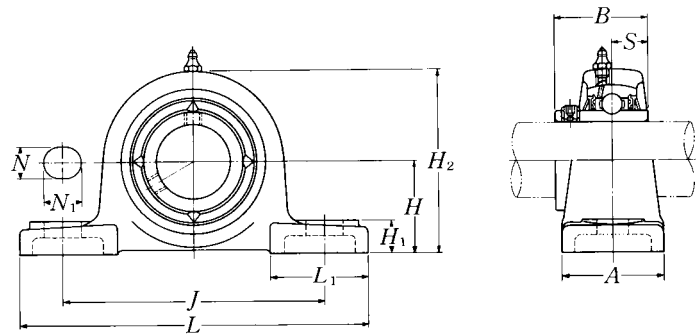
Shaft dia.	Unit number ¹⁾	Nominal dimensions											Bolt size	Bearing number	
							mm		inch						mm inch
		H	L	J	A	N	N ₁	H ₁	H ₂	L ₁	B	S			
25 13/16 7/8 15/16 1	UCPX05D1 UCPX05-013D1 UCPX05-014D1 UCPX05-015D1 UCPX05-100D1	44.4 1 3/4	159 6 1/4	119 4 11/16	51 2	17 2 1/32	20 25/32	18 23/32	85 3 11/32	50 1 31/32	38.1 1.5000	15.9 0.626	M14 1/2	UCX05D1 UCX05-013D1 UCX05-014D1 UCX05-015D1 UCX05-100D1	
30 1 1/16 1 1/8 1 3/16 1 1/4	UCPX06D1 UCPX06-101D1 UCPX06-102D1 UCPX06-103D1 UCPX06-104D1	47.6 1 7/8	175 6 7/8	127 5	57 2 1/4	17 2 1/32	20 25/32	20 25/32	93 3 21/32	54 2 1/8	42.9 1.6890	17.5 0.689	M14 1/2	UCX06D1 UCX06-101D1 UCX06-102D1 UCX06-103D1 UC207-104D1	
35 1 5/16 1 3/8 1 7/16	UCPX07D1 UCPX07-105D1 UCPX07-106D1 UCPX07-107D1	54 2 1/8	203 8	144 5 21/32	57 2 1/4	17 2 1/32	20 25/32	21 13/16	105 4 1/8	60 2 3/8	49.2 1.9370	19 0.748	M14 1/2	UCX07D1 UCX07-105D1 UCX07-106D1 UCX07-107D1	
40 1 1/2 1 9/16	UCPX08D1 UCPX08-108D1 UCPX08-109D1	58.7 2 5/16	222 8 3/4	156 6 5/32	67 2 5/8	20 25/32	23 29/32	26 1 1/32	111 4 3/8	65 2 9/16	49.2 1.9370	19 0.748	M16 5/8	UCX08D1 UCX08-108D1 UCX08-109D1	
45 1 5/8 1 11/16 1 3/4 1 13/16	UCPX09D1 UCPX09-110D1 UCPX09-111D1 UCPX09-112D1 UCPX09-113D1	58.7 2 5/16	222 8 3/4	156 6 5/32	67 2 5/8	20 25/32	23 29/32	26 1 1/32	116 4 9/16	65 2 9/16	51.6 2.0315	19 0.748	M16 5/8	UCX09D1 UCX09-110D1 UCX09-111D1 UCX09-112D1 UC210-113D1	
50 1 7/8 1 15/16 2	UCPX10D1 UCPX10-114D1 UCPX10-115D1 UCPX10-200D1	63.5 2 1/2	241 9 1/2	171 6 23/32	73 2 7/8	20 25/32	23 29/32	27 1 1/16	126 4 31/32	70 2 3/4	55.6 2.1890	22.2 0.874	M16 5/8	UCX10D1 UCX10-114D1 UCX10-115D1 UC211-200D1	
55 2 1/16 2 1/8 2 3/16 2 1/4 2 5/16	UCPX11D1 UCPX11-201D1 UCPX11-202D1 UCPX11-203D1 UCPX11-204D1 UCPX11-205D1	69.8 2 3/4	260 10 1/4	184 7 1/4	79 3 1/8	25 3 1/32	28 1 3/32	30 1 3/16	137 5 13/32	75 2 15/16	65.1 2.5630	25.4 1.000	M20 3/4	UCX11D1 UCX11-201D1 UCX11-202D1 UCX11-203D1 UC212-204D1 UC212-205D1	

Remarks: 1) These numbers indicate relubricatable type. If maintenance free type is needed, please order without suffix "D1".
Note: Please refer to page 25 for size of grease fitting.

Housing number	Mass of unit	
	kg	lb
PX05D1	1.5	
PX05D1		
PX05D1	3.3	
PX05D1		
PX05D1		
PX06D1	2.0	
PX06D1		
PX06D1	4.4	
PX06D1		
PX06D1		
PX07D1	2.6	
PX07D1		
PX07D1	5.7	
PX07D1		
PX08D1	3.3	
PX08D1	7.3	
PX08D1		
PX09D1	3.3	
PX09D1		
PX09D1	7.3	
PX09D1		
PX09D1		
PX10D1	4.3	
PX10D1		
PX10D1	9.5	
PX10D1		
PX11D1	5.7	
PX11D1		
PX11D1		
PX11D1	13	
PX11D1		
PX11D1		

Pillow blocks cast housing

Set screw type



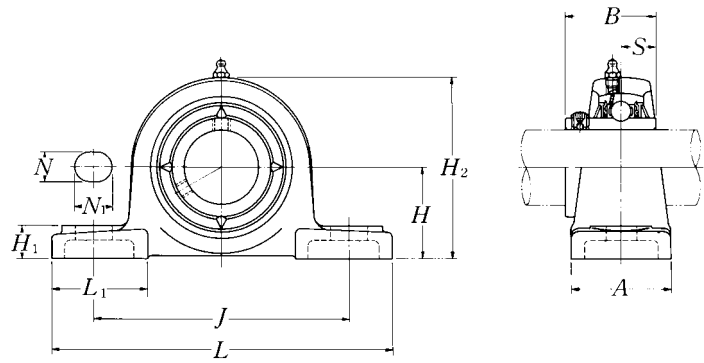
Shaft dia. mm inch	Unit number ¹⁾	Nominal dimensions											Bolt size mm inch	Bearing number
		mm					inch							
		H	L	J	A	N	N ₁	H ₁	H ₂	L ₁	B	S		
60 2 ³ / ₈ 2 ⁷ / ₁₆	UCPX12D1 UCPX12-206D1 UCPX12-207D1	76.2	286	203	83	25	28	33	151	80	65.1	25.4	M20	UCX12D1 UCX12-206D1 UCX12-207D1
		3	11 ¹ / ₄	8	3 ⁹ / ₃₂	3 ¹ / ₃₂	1 ³ / ₃₂	1 ⁵ / ₁₆	5 ¹⁵ / ₁₆	3 ⁵ / ₃₂	2.5630	1.000	³ / ₄	
65 2 ¹ / ₂ 2 ⁹ / ₁₆	UCPX13D1 UCPX13-208D1 UCPX13-209D1	76.2	286	203	83	25	28	33	154	80	74.6	30.2	M20	UCX13D1 UCX13-208D1 UCX13-209D1
		3	11 ¹ / ₄	8	3 ⁹ / ₃₂	3 ¹ / ₃₂	1 ³ / ₃₂	1 ⁵ / ₁₆	6 ¹ / ₁₆	3 ⁵ / ₃₂	2.9370	1.189	³ / ₄	
70 2 ⁵ / ₈ 2 ¹¹ / ₁₆ 2 ³ / ₄	UCPX14D1 UCPX14-210D1 UCPX14-211D1 UCPX14-212D1	88.9	330	229	89	27	30	35	170	95	77.8	33.3	M22	UCX14D1 UCX14-210D1 UCX14-211D1 UCX14-212D1
		3 ¹ / ₂	13	9 ¹ / ₃₂	3 ¹ / ₂	1 ¹ / ₁₆	1 ³ / ₁₆	1 ³ / ₈	6 ¹¹ / ₁₆	3 ³ / ₄	3.0630	1.311	⁷ / ₈	
75 2 ¹³ / ₁₆ 2 ⁷ / ₈ 2 ¹⁵ / ₁₆ 3	UCPX15D1 UCPX15-213D1 UCPX15-214D1 UCPX15-215D1 UCPX15-300D1	88.9	330	229	89	27	30	35	175	95	82.6	33.3	M22	UCX15D1 UCX15-213D1 UCX15-214D1 UCX15-215D1 UCX15-300D1
		3 ¹ / ₂	13	9 ¹ / ₃₂	3 ¹ / ₂	1 ¹ / ₁₆	1 ³ / ₁₆	1 ³ / ₈	6 ⁷ / ₈	3 ³ / ₄	3.2520	1.311	⁷ / ₈	
80 3 ¹ / ₁₆ 3 ¹ / ₈ 3 ³ / ₁₆ 3 ¹ / ₄	UCPX16D1 UCPX16-301D1 UCPX16-302D1 UCPX16-303D1 UCPX16-304D1	101.6	381	283	102	27	30	40	194	110	85.7	34.1	M22	UCX16D1 UCX16-301D1 UCX16-302D1 UCX16-303D1 UC217-304D1
		4	15	11 ⁵ / ₃₂	4 ¹ / ₃₂	1 ¹ / ₁₆	1 ³ / ₁₆	1 ⁹ / ₁₆	7 ⁵ / ₈	4 ¹¹ / ₃₂	3.3740	1.343	⁷ / ₈	
85 3 ⁵ / ₁₆ 3 ⁷ / ₁₆	UCPX17D1 UCPX17-305D1 UCPX17-307D1	101.6	381	283	102	27	30	40	200	110	96	39.7	M22	UCX17D1 UCX17-305D1 UCX17-307D1
		4	15	11 ⁵ / ₃₂	4 ¹ / ₃₂	1 ¹ / ₁₆	1 ³ / ₁₆	1 ⁹ / ₁₆	7 ⁷ / ₈	4 ¹¹ / ₃₂	3.7795	1.563	⁷ / ₈	
90 3 ⁷ / ₁₆ 3 ¹ / ₂	UCPX18D1 UCPX18-307D1 UCPX18-308D1	101.6	381	283	111	27	30	40	206	110	104	42.9	M22	UCX18D1 UCX18-307D1 UCX18-308D1
		4	15	11 ⁵ / ₃₂	4 ³ / ₈	1 ¹ / ₁₆	1 ³ / ₁₆	1 ⁹ / ₁₆	8 ¹ / ₈	4 ¹¹ / ₃₂	4.0945	1.689	⁷ / ₈	
100 3 ¹³ / ₁₆ 3 ⁷ / ₈ 3 ¹⁵ / ₁₆ 4	UCPX20D1 UCPX20-313D1 UCPX20-314D1 UCPX20-315D1 UCPX20-400D1	127	432	337	121	33	36	45	244	125	117.5	49.2	M27	UCX20D1 UCX20-313D1 UCX20-314D1 UCX20-315D1 UCX20-400D1
		5	17	13 ⁹ / ₃₂	4 ³ / ₄	1 ⁵ / ₁₆	1 ¹³ / ₃₂	1 ²⁵ / ₃₂	9 ¹⁹ / ₃₂	4 ²⁹ / ₃₂	4.6260	1.937	1	

Remarks: 1) These numbers indicate relubricatable type. If maintenance free type is needed, please order without suffix "D1".

Note: Please refer to page 25 for size of grease fitting.

Housing number	Mass of unit	
	kg	lb
PX12D1	7.3	
PX12D1	16	
PX12D1		
PX13D1	7.6	
PX13D1	17	
PX13D1		
PX14D1	9.9	
PX14D1		
PX14D1	22	
PX14D1		
PX15D1	11	
PX15D1		
PX15D1	24	
PX15D1		
PX15D1		
PX16D1	15	
PX16D1		
PX16D1	33	
PX16D1		
PX16D1		
PX17D1	16	
PX17D1	35	
PX17D1		
PX18D1	17	
PX18D1	37	
PX18D1		
PX20D1	30	
PX20D1		
PX20D1	66	
PX20D1		
PX20D1		

Pillow blocks cast housing low center height
Set screw type



Shaft dia.	Unit number ^{1) 2) 3)}	Nominal dimensions											Bolt size	Bearing number
		mm					inch							
		H	L	J	A	N	N ₁	H ₁	H ₂	L ₁	B	S		
20 3/4	UCPL204D1 UCPL204-012D1	31.75 1 1/4	127 5	95 3 3/4	38 1 1/2	13 1/2	16 5/8	14 9/16	64 2 17/32	42 1 21/32	31 1.2205	12.7 0.500	M10 3/8	UC204D1 UC204-012D1
25 1 3/16 7/8 1 5/16 1	UCPL205D1 UCPL205-013D1 UCPL205-014D1 UCPL205-015D1 UCPL205-100D1	33.34 1 5/16	140 5 1/2	105 4 1/8	38 1 1/2	13 1/2	16 5/8	15 19/32	68 2 11/16	42 1 21/32	34.1 1.3425	14.3 0.563	M10 3/8	UC205D1 UC205-013D1 UC205-014D1 UC205-015D1 UC205-100D1
30 1 1/16 1 1/8 1 3/16 1 1/4	UCPL206D1 UCPL206-101D1 UCPL206-102D1 UCPL206-103D1 UCPL206-104D1	39.69 1 9/16	165 6 1/2	121 4 3/4	48 1 7/8	17 2 1/32	20 25/32	17 2 1/32	80 3 5/32	54 2 1/8	38.1 1.5000	15.9 0.626	M14 1/2	UC206D1 UC206-101D1 UC206-102D1 UC206-103D1 UC206-104D1
35 1 1/4 1 5/16 1 3/8 1 7/16	UCPL207D1 UCPL207-104D1 UCPL207-105D1 UCPL207-106D1 UCPL207-107D1	46.04 1 13/16	167 6 9/16	127 5	48 1 7/8	17 2 1/32	20 25/32	18 23/32	91 3 19/32	54 2 1/8	42.9 1.6890	17.5 0.689	M14 1/2	UC207D1 UC207-104D1 UC207-105D1 UC207-106D1 UC207-107D1
45 1 5/8 1 11/16 1 3/4	UCPL209D1 UCPL209-110D1 UCPL209-111D1 UCPL209-112D1	52.39 2 1/16	190 7 15/32	146 5 3/4	54 2 1/8	17 2 1/32	20 25/32	20 25/32	104 4 3/32	60 2 3/8	49.2 1.9370	19 0.748	M14 1/2	UC209D1 UC209-110D1 UC209-111D1 UC209-112D1
50 1 13/16 1 7/8 1 15/16 2	UCPL210D1 UCPL210-113D1 UCPL210-114D1 UCPL210-115D1 UCPL210-200D1	55.56 2 3/16	206 8 1/8	159 6 1/4	60 2 3/8	20 25/32	23 29/32	21 13/16	112 4 13/32	65 2 9/16	51.6 2.0315	19 0.748	M16 5/8	UC210D1 UC210-113D1 UC210-114D1 UC210-115D1 UC210-200D1

Remarks: 1) These numbers indicate relubricatable type. If maintenance free type is needed, please order without suffix "D1".

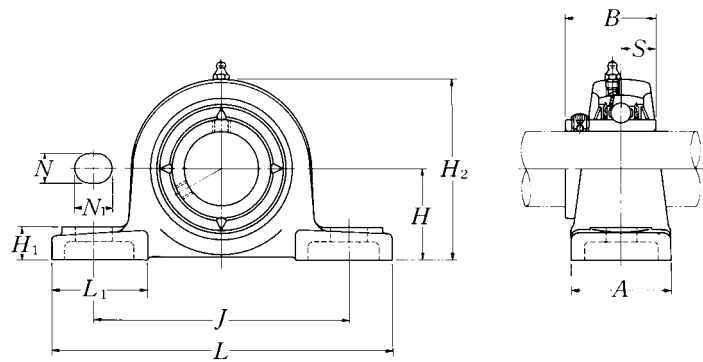
2) UCPL204 and UCPL205 has solid bases.

3) UCPL208 has the same dimension as UCP208 shown in page 46.

Note: Please refer to page 25 for size of grease fitting.

Housing number	Mass of unit	
	kg	lb
PL204D1	0.6	
PL204D1	1.3	
PL205D1	0.8	
PL205D1		
PL205D1	1.8	
PL205D1		
PL205D1		
PL206D1	1.2	
PL206D1		
PL206D1	2.6	
PL206D1		
PL206D1		
PL207D1	1.6	
PL207D1		
PL207D1	3.5	
PL207D1		
PL207D1		
PL209D1	2.2	
PL209D1		
PL209D1	4.9	
PL209D1		
PL210D1	2.6	
PL210D1		
PL210D1	5.7	
PL210D1		
PL210D1		

Pillow blocks cast housing low center height
Set screw type



Shaft dia.	Unit number ^{1) 2) 3)}	Nominal dimensions											Bolt size	Bearing number
		mm					inch							
		H	L	J	A	N	N ₁	H ₁	H ₂	L ₁	B	S		
55	UCPL211D1	61.91	219	171	60	20	23	23	124	65	55.6	22.2	M16	UC211D1
2	UCPL211-200D1													UC211-200D1
2¹/₁₆	UCPL211-201D1	2 ⁷ / ₁₆	8 ⁵ / ₈	6 ²³ / ₃₂	2 ³ / ₈	25 ⁵ / ₃₂	29 ¹ / ₃₂	29 ¹ / ₃₂	4 ⁷ / ₈	2 ⁹ / ₁₆	2.1890	0.874	5 ⁸ / ₈	UC211-201D1
2¹/₈	UCPL211-202D1													UC211-202D1
2³/₁₆	UCPL211-203D1													UC211-203D1
60	UCPL212D1	68.26	241	184	70	20	23	25	136	70	65.1	25.4	M16	UC212D1
2¹/₄	UCPL212-204D1													UC212-204D1
2⁵/₁₆	UCPL212-205D1	2 ¹¹ / ₁₆	9 ¹ / ₂	7 ¹ / ₄	2 ³ / ₄	25 ⁵ / ₃₂	29 ¹ / ₃₂	3 ¹ / ₃₂	5 ¹¹ / ₃₂	2 ³ / ₄	2.5630	1.000	5 ⁸ / ₈	UC212-205D1
2³/₈	UCPL212-206D1													UC212-206D1
2⁷/₁₆	UCPL212-207D1													UC212-207D1

Remarks: 1) These numbers indicate relubricatable type. If maintenance free type is needed, please order without suffix "D1".

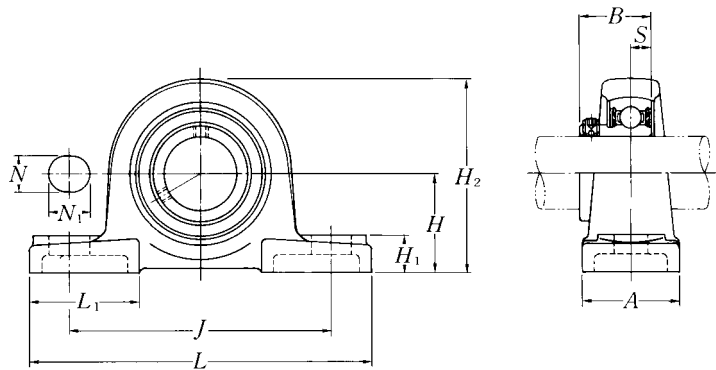
2) UCPL204 and UCPL205 has solid bases.

3) UCPL208 has the same dimension as UCP208 shown in page 46.

Note: Please refer to page 25 for size of grease fitting.

Housing number	Mass of unit	
	kg	lb
PL211D1	3.2	
PL211D1		
PL211D1	7.1	
PL211D1		
PL211D1		
PL212D1	4.5	
PL212D1		
PL212D1	9.9	
PL212D1		
PL212D1		

Pillow blocks cast housing low center height
Set screw type



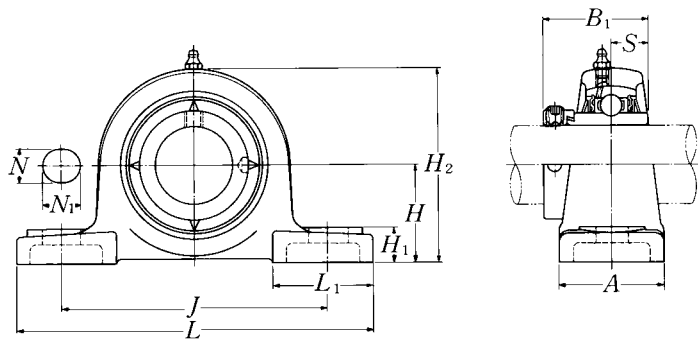
Shaft dia.	Unit number ^{1) 2)}	Nominal dimensions											Bolt size	Bearing number
		mm					inch							
		H	L	J	A	N	N ₁	H ₁	H ₂	L ₁	B	S		
12 1/2	ASPL201 ASPL201-008	26.99 1 1/16	121 4 3/4	89 3 1/2	35 1 3/8	11 7/16	14 9/16	13 1/2	54 2 1/8	40 1 9/16	22 0.8661	6 0.236	M10 3/8	AS201 AS201-008
15 9/16 5/8	ASPL202 ASPL202-009 ASPL202-010	26.99 1 1/16	121 4 3/4	89 3 1/2	35 1 3/8	11 7/16	14 9/16	13 1/2	54 2 1/8	40 1 9/16	22 0.8661	6 0.236	M10 3/8	AS202 AS202-009 AS202-010
17 1 1/16	ASPL203 ASPL203-011	26.99 1 1/16	121 4 3/4	89 3 1/2	35 1 3/8	11 7/16	14 9/16	13 1/2	54 2 1/8	40 1 9/16	22 0.8661	6 0.236	M10 3/8	AS203 AS203-011
20 3/4	ASPL204 ASPL204-012	31.75 1 1/4	127 5	95 3 3/4	38 1 1/2	13 1/2	16 5/8	14 9/16	64 2 17/32	42 1 21/32	25 0.9843	7 0.276	M10 3/8	AS204 AS204-012
25 13/16 7/8 15/16 1	ASPL205 ASPL205-013 ASPL205-014 ASPL205-015 ASPL205-100	33.34 1 5/16	140 5 1/2	105 4 1/8	38 1 1/2	13 1/2	16 5/8	15 19/32	68 2 11/16	42 1 21/32	27 1.0630	7.5 0.295	M10 3/8	AS205 AS205-013 AS205-014 AS205-015 AS205-100
30 1 1/16 1 1/8 1 3/16 1 1/4	ASPL206 ASPL206-101 ASPL206-102 ASPL206-103 ASPL206-104	39.69 1 9/16	165 6 1/2	121 4 3/4	48 1 7/8	17 2 1/32	20 25/32	17 2 1/32	80 3 5/32	54 2 1/8	29 1.1417	8 0.315	M14 1/2	AS206 AS206-101 AS206-102 AS206-103 AS206-104
35 1 1/4 1 5/16 1 3/8 1 7/16	ASPL207 ASPL207-104 ASPL207-105 ASPL207-106 ASPL207-107	46.04 1 13/16	167 6 9/16	127 5	48 1 7/8	17 2 1/32	20 25/32	18 23/32	91 3 19/32	54 2 1/8	34 1.3386	8.5 0.335	M14 1/2	AS207 AS207-104 AS207-105 AS207-106 AS207-107

Remarks: 1) ASPL201 to ASPL205 has solid bases.

2) If relubricatable type is needed, please order with suffix "D1".

Housing ²⁾ number	Mass of unit	
	kg	lb
PL201	0.6	
PL201	1.3	
PL201	0.6	
PL201	1.3	
PL201		
PL201	0.5	
PL201	1.1	
PL204	0.6	
PL204	1.3	
PL205	0.7	
PL205		
PL205	1.5	
PL205		
PL205		
PL206	1.2	
PL206		
PL206	2.6	
PL206		
PL206		
PL207	1.5	
PL207		
PL207	3.3	
PL207		
PL207		

**Pillow blocks cast housing
Eccentric locking collar type**

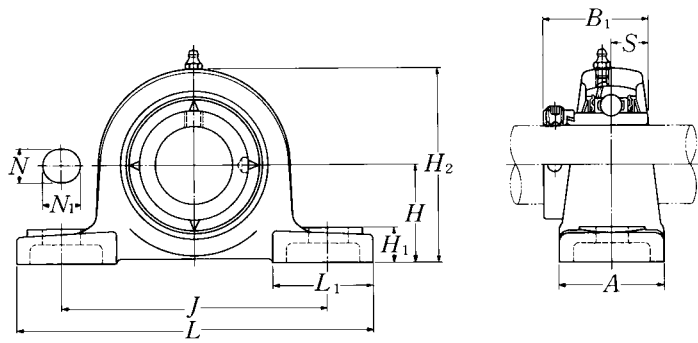


Shaft dia.	Unit number ¹⁾	Nominal dimensions											Bolt size
		mm					inch						
mm inch		H	L	J	A	N	N ₁	H ₁	H ₂	L ₁	B ₁	S	mm inch
20 3/4	UELP204D1W3	33.3	127	95	38	13	16	14	65	42	43.7	17.1	M10
	UELP204-012D1W3	1 ⁵ / ₁₆	5	3 ³ / ₄	1 ¹ / ₂	1/2	5/8	9/16	2 ⁹ / ₁₆	1 ²¹ / ₃₂	1.720	0.673	3/8
25 1 ³ / ₁₆ 7/8 1 ⁵ / ₁₆ 1	UELP205D1W3	36.5	140	105	38	13	16	15	71	42	44.4	17.5	M10
	UELP205-013D1W3												
	UELP205-014D1W3	1 ⁷ / ₁₆	5 ¹ / ₂	4 ¹ / ₈	1 ¹ / ₂	1/2	5/8	1 ⁹ / ₃₂	2 ²⁵ / ₃₂	1 ²¹ / ₃₂	1.748	0.689	3/8
	UELP205-015D1W3												
	UELP205-100D1W3												
30 1 ¹ / ₁₆ 1 ¹ / ₈ 1 ³ / ₁₆ 1 ¹ / ₄	UELP206D1W3	42.9	165	121	48	17	20	17	83	54	48.4	18.3	M14
	UELP206-101D1W3												
	UELP206-102D1W3	1 ¹¹ / ₁₆	6 ¹ / ₂	4 ³ / ₄	1 ⁷ / ₈	2 ¹ / ₃₂	2 ⁵ / ₃₂	2 ¹ / ₃₂	3 ⁹ / ₃₂	2 ¹ / ₈	1.906	0.720	1/2
	UELP206-103D1W3												
	UELP206-104D1W3												
35 1 ¹ / ₄ 1 ⁵ / ₁₆ 1 ³ / ₈ 1 ⁷ / ₁₆	UELP207D1W3	47.6	167	127	48	17	20	18	93	54	51.1	18.8	M14
	UELP207-104D1W3												
	UELP207-105D1W3	1 ⁷ / ₈	6 ⁹ / ₁₆	5	1 ⁷ / ₈	2 ¹ / ₃₂	2 ⁵ / ₃₂	2 ³ / ₃₂	3 ²¹ / ₃₂	2 ¹ / ₈	2.012	0.740	1/2
	UELP207-106D1W3												
	UELP207-107D1W3												
40 1 ¹ / ₂ 1 ⁹ / ₁₆	UELP208D1W3	49.2	184	137	54	17	20	18	98	52	56.3	21.4	M14
	UELP208-108D1W3	1 ¹⁵ / ₁₆	7 ¹ / ₄	5 ¹³ / ₃₂	2 ¹ / ₈	2 ¹ / ₃₂	2 ⁵ / ₃₂	2 ³ / ₃₂	3 ²⁷ / ₃₂	2 ¹ / ₁₆	2.217	0.843	1/2
	UELP208-109D1W3												
45 1 ⁵ / ₈ 1 ¹¹ / ₁₆ 1 ³ / ₄	UELP209D1W3	54	190	146	54	17	20	20	106	60	56.3	21.4	M14
	UELP209-110D1W3												
	UELP209-111D1W3	2 ¹ / ₈	7 ¹⁵ / ₃₂	5 ³ / ₄	2 ¹ / ₈	2 ¹ / ₃₂	2 ⁵ / ₃₂	2 ⁵ / ₃₂	4 ³ / ₁₆	2 ³ / ₈	2.217	0.843	1/2
UELP209-112D1W3													
50 1 ¹³ / ₁₆ 1 ⁷ / ₈ 1 ¹⁵ / ₁₆ 2	UELP210D1W3	57.2	206	159	60	20	23	21	114	65	62.7	24.6	M16
	UELP210-113D1W3												
	UELP210-114D1W3	2 ¹ / ₄	8 ¹ / ₈	6 ¹ / ₄	2 ³ / ₈	2 ⁵ / ₃₂	2 ⁹ / ₃₂	1 ¹³ / ₁₆	4 ¹ / ₂	2 ⁹ / ₁₆	2.469	0.969	5/8
	UELP210-115D1W3												
UELP210-200D1W3													

Remarks: 1) These numbers indicate relubricatable type. If maintenance free type is needed, please order without suffix "D1".
Note: Please refer to page 25 for size of grease fitting.

Bearing number	Housing number	Mass of unit	
		kg	lb
UEL204D1W3	P204D1	0.7	
UEL204-012D1W3	P204D1	1.5	
UEL205D1W3	P205D1	0.9	
UEL205-013D1W3	P205D1		
UEL205-014D1W3	P205D1	2.0	
UEL205-015D1W3	P205D1		
UEL205-100D1W3	P205D1		
UEL206D1W3	P206D1	1.4	
UEL206-101D1W3	P206D1		
UEL206-102D1W3	P206D1	3.1	
UEL206-103D1W3	P206D1		
UEL206-104D1W3	P206D1		
UEL207D1W3	P207D1	1.8	
UEL207-104D1W3	P207D1		
UEL207-105D1W3	P207D1	4.0	
UEL207-106D1W3	P207D1		
UEL207-107D1W3	P207D1		
UEL208D1W3	P208D1	2.0	
UEL208-108D1W3	P208D1	4.4	
UEL208-109D1W3	P208D1		
UEL209D1W3	P209D1	2.4	
UEL209-110D1W3	P209D1		
UEL209-111D1W3	P209D1	5.3	
UEL209-112D1W3	P209D1		
UEL210D1W3	P210D1	2.8	
UEL210-113D1W3	P210D1		
UEL210-114D1W3	P210D1	6.2	
UEL210-115D1W3	P210D1		
UEL210-200D1W3	P210D1		

**Pillow blocks cast housing
Eccentric locking collar type**

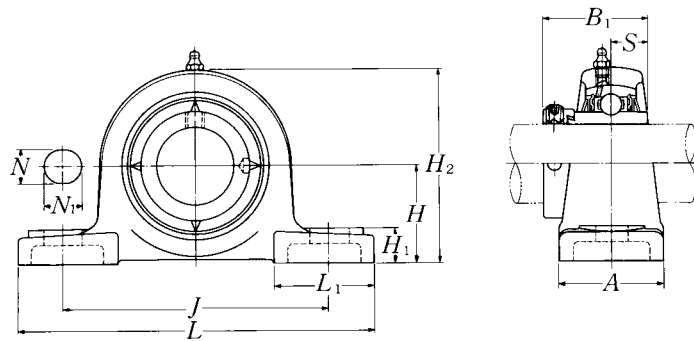


Shaft dia.	Unit number ¹⁾	Nominal dimensions											Bolt size
		mm					inch						
mm inch		H	L	J	A	N	N ₁	H ₁	H ₂	L ₁	B ₁	S	mm inch
55	UELP211D1W3	63.5	219	171	60	20	23	23	126	65	71.4	27.8	M16
2	UELP211-200D1W3												
2¹/₁₆	UELP211-201D1W3	2 ¹ / ₂	8 ⁵ / ₈	6 ²³ / ₃₂	2 ³ / ₈	25 ²⁵ / ₃₂	29 ²⁹ / ₃₂	29 ²⁹ / ₃₂	4 ³¹ / ₃₂	2 ⁹ / ₁₆	2.811	1.094	5 ⁵ / ₈
2¹/₈	UELP211-202D1W3												
2³/₁₆	UELP211-203D1W3												
60	UELP212D1W3	69.8	241	184	70	20	23	25	138	70	77.8	31	M16
2¹/₄	UELP212-204D1W3												
2⁵/₁₆	UELP212-205D1W3	2 ³ / ₄	9 ¹ / ₂	7 ¹ / ₄	2 ³ / ₄	25 ²⁵ / ₃₂	29 ²⁹ / ₃₂	3 ¹ / ₃₂	5 ⁷ / ₁₆	2 ³ / ₄	3.063	1.220	5 ⁵ / ₈
2³/₈	UELP212-206D1W3												
2⁷/₁₆	UELP212-207D1W3												
65	UELP213D1W3	76.2	265	203	70	25	28	27	151	77	85.7	34.15	M20
2¹/₂	UELP213-208D1W3	3	10 ⁷ / ₁₆	8	2 ³ / ₄	3 ¹ / ₃₂	1 ³ / ₃₂	1 ¹ / ₁₆	5 ¹⁵ / ₁₆	3 ¹ / ₃₂	3.374	1.344	3 ³ / ₄
2⁹/₁₆	UELP213-209D1W3												
70	UELP214D1W3	79.4	266	210	72	25	28	27	157	77	85.7	34.15	M20
2⁵/₈	UELP214-210D1W3												
2¹¹/₁₆	UELP214-211D1W3	3 ¹ / ₈	10 ¹⁵ / ₃₂	8 ⁹ / ₃₂	2 ²⁷ / ₃₂	3 ¹ / ₃₂	1 ³ / ₃₂	1 ¹ / ₁₆	6 ³ / ₁₆	3 ¹ / ₃₂	3.374	1.344	3 ³ / ₄
2³/₄	UELP214-212D1W3												
75	UELP215D1W3	82.6	275	217	74	25	28	28	163	80	92	37.3	M20
2¹³/₁₆	UELP215-213D1W3												
2⁷/₈	UELP215-214D1W3	3 ¹ / ₄	10 ¹³ / ₁₆	8 ¹⁷ / ₃₂	2 ²⁹ / ₃₂	3 ¹ / ₃₂	1 ³ / ₃₂	1 ³ / ₃₂	6 ¹³ / ₃₂	3 ⁵ / ₃₂	3.622	1.469	3 ³ / ₄
2¹⁵/₁₆	UELP215-215D1W3												
3	UELP215-300D1W3												

Remarks: 1) These numbers indicate relubricatable type. If maintenance free type is needed, please order without suffix "D1".
Note: Please refer to page 25 for size of grease fitting.

Bearing number	Housing number	Mass of unit	
		kg	lb
UEL211D1W3	P211D1	3.5	
UEL211-200D1W3	P211D1		
UEL211-201D1W3	P211D1	7.7	
UEL211-202D1W3	P211D1		
UEL211-203D1W3	P211D1		
UEL212D1W3	P212D1	5.0	
UEL212-204D1W3	P212D1		
UEL212-205D1W3	P212D1	11	
UEL212-206D1W3	P212D1		
UEL212-207D1W3	P212D1		
UEL213D1W3	P213D1	6.4	
UEL213-208D1W3	P213D1	14	
UEL213-209D1W3	P213D1		
UEL214D1W3	P214D1	6.8	
UEL214-210D1W3	P214D1		
UEL214-211D1W3	P214D1	15	
UEL214-212D1W3	P214D1		
UEL215D1W3	P215D1	7.6	
UEL215-213D1W3	P215D1		
UEL215-214D1W3	P215D1	17	
UEL215-215D1W3	P215D1		
UEL215-300D1W3	P215D1		

**Pillow blocks cast housing
Eccentric locking collar type**



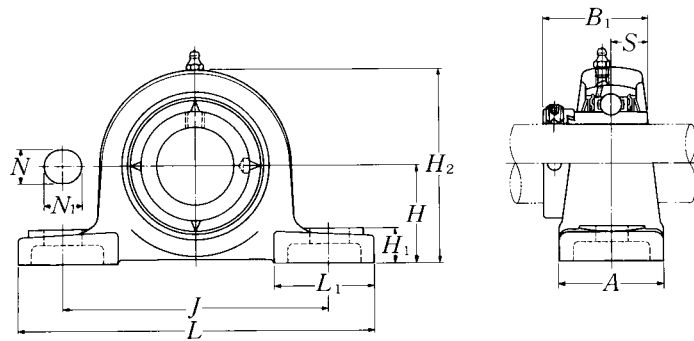
Shaft dia.	Unit number ¹⁾	Nominal dimensions											Bolt size
		mm					inch						
mm inch		H	L	J	A	N	N ₁	H ₁	H ₂	L ₁	B ₁	S	mm inch
25	UELP305D1W3	45	175	132	45	17	20	15	85	54	46.8	16.7	M14
$\frac{13}{16}$	UELP305-013D1W3												
$\frac{7}{8}$	UELP305-014D1W3	$1\frac{49}{64}$	$6\frac{7}{8}$	$5\frac{3}{16}$	$1\frac{25}{32}$	$\frac{21}{32}$	$\frac{25}{32}$	$\frac{19}{32}$	$3\frac{11}{32}$	$2\frac{1}{8}$	1.843	0.657	$\frac{1}{2}$
$\frac{15}{16}$	UELP305-015D1W3												
1	UELP305-100D1W3												
30	UELP306D1W3	50	180	140	50	17	20	18	95	54	50	17.5	M14
$\frac{1}{16}$	UELP306-101D1W3												
$\frac{1}{8}$	UELP306-102D1W3	$1\frac{31}{32}$	$7\frac{3}{32}$	$5\frac{1}{2}$	$1\frac{31}{32}$	$\frac{21}{32}$	$\frac{25}{32}$	$\frac{23}{32}$	$3\frac{3}{4}$	$2\frac{1}{8}$	1.969	0.689	$\frac{1}{2}$
$\frac{3}{16}$	UELP306-103D1W3												
35	UELP307D1W3	56	210	160	56	17	25	20	106	60	51.6	18.3	M14
$\frac{1}{4}$	UELP307-104D1W3												
$\frac{5}{16}$	UELP307-105D1W3	$2\frac{13}{64}$	$8\frac{9}{32}$	$6\frac{5}{16}$	$2\frac{7}{32}$	$\frac{21}{32}$	$\frac{31}{32}$	$\frac{25}{32}$	$4\frac{3}{16}$	$2\frac{3}{8}$	2.031	0.720	$\frac{1}{2}$
$\frac{3}{8}$	UELP307-106D1W3												
$\frac{7}{16}$	UELP307-107D1W3												
40	UELP308D1W3	60	220	170	60	17	27	22	116	60	57.1	19.8	M14
$\frac{1}{2}$	UELP308-108D1W3	$2\frac{23}{64}$	$8\frac{21}{32}$	$6\frac{11}{16}$	$2\frac{3}{8}$	$\frac{21}{32}$	$1\frac{1}{16}$	$\frac{7}{8}$	$4\frac{9}{16}$	$2\frac{3}{8}$	2.248	0.780	$\frac{1}{2}$
$\frac{9}{16}$	UELP308-109D1W3												
45	UELP309D1W3	67	245	190	67	20	30	24	129	65	58.7	19.8	M16
$\frac{5}{8}$	UELP309-110D1W3												
$1\frac{11}{16}$	UELP309-111D1W3	$2\frac{41}{64}$	$9\frac{21}{32}$	$7\frac{15}{32}$	$2\frac{5}{8}$	$\frac{25}{32}$	$1\frac{3}{16}$	$\frac{15}{16}$	$5\frac{3}{32}$	$2\frac{9}{16}$	2.311	0.780	$\frac{5}{8}$
$\frac{3}{4}$	UELP309-112D1W3												
50	UELP310D1W3	75	275	212	75	20	35	27	143	75	66.6	24.6	M16
$1\frac{13}{16}$	UELP310-113D1W3												
$\frac{1}{8}$	UELP310-114D1W3	$2\frac{61}{64}$	$10\frac{13}{16}$	$8\frac{11}{32}$	$2\frac{15}{16}$	$\frac{25}{32}$	$1\frac{3}{8}$	$1\frac{1}{16}$	$5\frac{5}{8}$	$2\frac{15}{16}$	2.622	0.969	$\frac{5}{8}$
$1\frac{15}{16}$	UELP310-115D1W3												
55	UELP311D1W3	80	310	236	80	20	38	30	154	85	73	27.8	M16
2	UELP311-200D1W3												
$2\frac{1}{16}$	UELP311-201D1W3	$3\frac{5}{32}$	$12\frac{7}{32}$	$9\frac{9}{32}$	$3\frac{5}{32}$	$\frac{25}{32}$	$1\frac{1}{2}$	$1\frac{3}{16}$	$6\frac{1}{16}$	$3\frac{11}{32}$	2.874	1.094	$\frac{5}{8}$
$\frac{2}{8}$	UELP311-202D1W3												
$2\frac{3}{16}$	UELP311-203D1W3												

Remarks: 1) These numbers indicate relubricatable type. If maintenance free type is needed, please order without suffix "D1".

Note: Please refer to page 25 for size of grease fitting.

Bearing number	Housing number	Mass of unit	
		kg	lb
UEL305D1W3	P305D1	1.4	
UEL305-013D1W3	P305D1		
UEL305-014D1W3	P305D1	3.1	
UEL305-015D1W3	P305D1		
UEL305-100D1W3	P305D1		
UEL306D1W3	P306D1	1.9	
UEL306-101D1W3	P306D1		
UEL306-102D1W3	P306D1	4.2	
UEL306-103D1W3	P306D1		
UEL307D1W3	P307D1	2.9	
UEL307-104D1W3	P307D1		
UEL307-105D1W3	P307D1	6.4	
UEL307-106D1W3	P307D1		
UEL307-107D1W3	P307D1		
UEL308D1W3	P308D1	3.1	
UEL308-108D1W3	P308D1	6.8	
UEL308-109D1W3	P308D1		
UEL309D1W3	P309D1	4.3	
UEL309-110D1W3	P309D1		
UEL309-111D1W3	P309D1	9.5	
UEL309-112D1W3	P309D1		
UEL310D1W3	P310D1	6.0	
UEL310-113D1W3	P310D1		
UEL310-114D1W3	P310D1	13	
UEL310-115D1W3	P310D1		
UEL311D1W3	P311D1	7.7	
UEL311-200D1W3	P311D1		
UEL311-201D1W3	P311D1	17	
UEL311-202D1W3	P311D1		
UEL311-203D1W3	P311D1		

**Pillow blocks cast housing
Eccentric locking collar type**



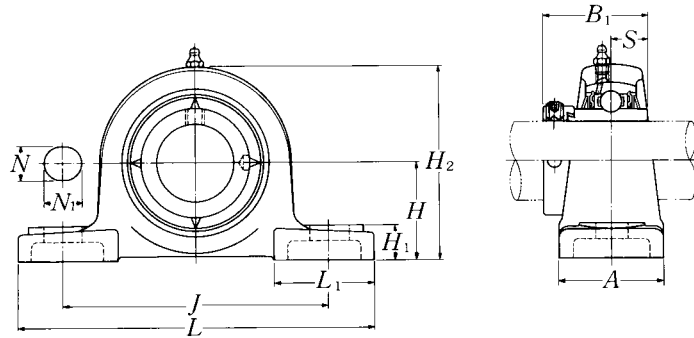
Shaft dia.	Unit number ¹⁾	Nominal dimensions											Bolt size
		mm		inch		mm		inch		mm		inch	
mm inch		H	L	J	A	N	N ₁	H ₁	H ₂	L ₁	B ₁	S	mm inch
60	UELP312D1W3	85	330	250	85	25	38	32	165	95	79.4	30.95	M20
2 1/4	UELP312-204D1W3												
2 5/16	UELP312-205D1W3	3 11/32	13	9 27/32	3 11/32	3 1/32	1 1/2	1 1/4	6 1/2	3 3/4	3.126	1.219	3/4
2 3/8	UELP312-206D1W3												
2 7/16	UELP312-207D1W3												
65	UELP313D1W3	90	340	260	90	25	38	33	176	105	85.7	32.55	M20
2 1/2	UELP313-208D1W3												
2 9/16	UELP313-209D1W3	3 35/64	13 3/8	10 1/4	3 17/32	3 1/32	1 1/2	1 5/16	6 15/16	4 1/8	3.374	1.281	3/4
70	UELP314D1W3	95	360	280	90	27	40	35	187	105	92.1	34.15	M22
2 5/8	UELP314-210D1W3												
2 11/16	UELP314-211D1W3	3 47/64	14 3/16	11 1/32	3 17/32	1 1/16	1 9/16	1 3/8	7 3/8	4 1/8	3.626	1.344	7/8
2 3/4	UELP314-212D1W3												
75	UELP315D1W3	100	380	290	100	27	40	35	198	110	100	37.3	M22
2 13/16	UELP315-213D1W3												
2 7/8	UELP315-214D1W3	3 15/16	14 31/32	11 13/32	3 15/16	1 1/16	1 9/16	1 3/8	7 25/32	4 11/32	3.937	1.469	7/8
2 15/16	UELP315-215D1W3												
3	UELP315-300D1W3												
80	UELP316D1W3	106	400	300	110	27	40	40	210	110	106.4	40.5	M22
3 1/16	UELP316-301D1W3												
3 1/8	UELP316-302D1W3	4 11/64	15 3/4	11 13/16	4 11/32	1 1/16	1 9/16	1 9/16	8 9/32	4 11/32	4.189	1.594	7/8
3 3/16	UELP316-303D1W3												
85	UELP317D1W3	112	420	320	110	33	45	40	220	120	109.5	42.05	M27
3 1/4	UELP317-304D1W3												
3 5/16	UELP317-305D1W3	4 13/32	16 17/32	12 19/32	4 11/32	1 5/16	1 25/32	1 9/16	8 21/32	4 23/32	4.311	1.656	1
3 7/16	UELP317-307D1W3												
90	UELP318D1W3	118	430	330	110	33	45	45	235	120	115.9	43.65	M27
3 7/16	UELP318-307D1W3												
3 1/2	UELP318-308D1W3	4 41/64	16 15/16	13	4 11/32	1 5/16	1 25/32	1 25/32	9 1/4	4 23/32	4.563	1.719	1

Remarks: 1) These numbers indicate relubricatable type. If maintenance free type is needed, please order without suffix "D1".

Note: Please refer to page 25 for size of grease fitting.

Bearing number	Housing number	Mass of unit	
		kg	lb
UEL312D1W3	P312D1	9.7	
UEL312-204D1W3	P312D1		
UEL312-205D1W3	P312D1	21	
UEL312-206D1W3	P312D1		
UEL312-207D1W3	P312D1		
UEL313D1W3	P313D1	11	
UEL313-208D1W3	P313D1	24	
UEL313-209D1W3	P313D1		
UEL314D1W3	P314D1	12	
UEL314-210D1W3	P314D1		
UEL314-211D1W3	P314D1	26	
UEL314-212D1W3	P314D1		
UEL315D1W3	P315D1	15	
UEL315-213D1W3	P315D1		
UEL315-214D1W3	P315D1	33	
UEL315-215D1W3	P315D1		
UEL315-300D1W3	P315D1		
UEL316D1W3	P316D1	19	
UEL316-301D1W3	P316D1		
UEL316-302D1W3	P316D1	42	
UEL316-303D1W3	P316D1		
UEL317D1W3	P317D1	21	
UEL317-304D1W3	P317D1		
UEL317-305D1W3	P317D1	46	
UEL317-307D1W3	P317D1		
UEL318D1W3	P318D1	25	
UEL318-307D1W3	P318D1	55	
UEL318-308D1W3	P318D1		

**Pillow blocks cast housing
Eccentric locking collar type**



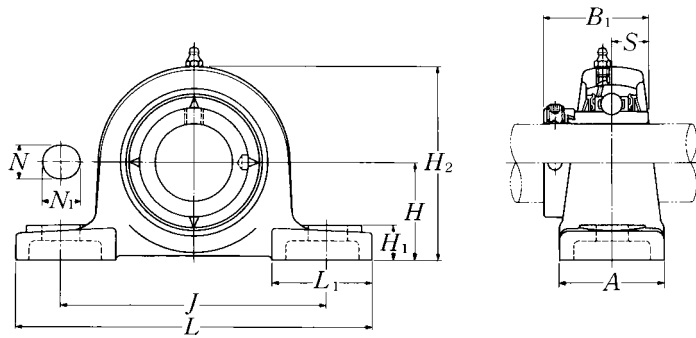
Shaft dia.	Unit number ¹⁾	Nominal dimensions											Bolt size
		mm						inch					
mm inch		H	L	J	A	N	N ₁	H ₁	H ₂	L ₁	B ₁	S	mm inch
95	UELP319D1W3	125	470	360	120	36	50	45	250	125	122.3	38.9	M30
3⁵/₈	UELP319-310D1W3												
3¹¹/₁₆	UELP319-311D1W3	4 ⁵⁹ / ₆₄	18 ¹ / ₂	14 ³ / ₁₆	4 ²³ / ₃₂	1 ¹³ / ₃₂	1 ³¹ / ₃₂	1 ²⁵ / ₃₂	9 ²⁷ / ₃₂	4 ²⁹ / ₃₂	4.815	1.531	1 ¹ / ₈
3³/₄	UELP319-312D1W3												
100	UELP320D1W3	140	490	380	120	36	50	50	275	130	128.6	50	M30
3¹³/₁₆	UELP320-313D1W3												
3⁷/₈	UELP320-314D1W3	5 ³³ / ₆₄	19 ⁹ / ₃₂	14 ³¹ / ₃₂	4 ²³ / ₃₂	1 ¹³ / ₃₂	1 ³¹ / ₃₂	1 ³¹ / ₃₂	10 ¹³ / ₁₆	5 ¹ / ₈	5.063	1.969	1 ¹ / ₈
3¹⁵/₁₆	UELP320-315D1W3												
4	UELP320-400D1W3												
105	UELP321D1W3	140	490	380	120	36	50	50	280	130	139.7	48.4	M30
110	UELP322D1W3	150	520	400	140	40	55	55	300	135	141.3	49.2	M33

Remarks: 1) These numbers indicate relubricatable type. If maintenance free type is needed, please order without suffix "D1".

Note: Please refer to page 25 for size of grease fitting.

Bearing number	Housing number	Mass of unit	
		kg	lb
UEL319D1W3	P319D1	30	
UEL319-310D1W3	P319D1		
UEL319-311D1W3	P319D1	66	
UEL319-312D1W3	P319D1		
UEL320D1W3	P320D1	37	
UEL320-313D1W3	P320D1		
UEL320-314D1W3	P320D1	82	
UEL320-315D1W3	P320D1		
UEL320-400D1W3	P320D1		
UEL321D1W3	P321D1	37	
UEL322D1W3	P322D1	48	

**Pillow blocks cast housing low center height
Eccentric locking collar type**



Shaft dia.	Unit number ¹⁾²⁾³⁾	Nominal dimensions											Bolt size
		mm						inch					
mm inch		H	L	J	A	N	N ₁	H ₁	H ₂	L ₁	B ₁	S	mm inch
20 3/4	UELPL204D1W3	31.75	127	95	38	13	16	14	64	42	43.7	17.1	M10
	UELPL204-012D1W3	1 1/4	5	3 3/4	1 1/2	1/2	5/8	9/16	2 17/32	1 21/32	1.720	0.673	3/8
25 1 3/16 7/8 1 5/16 1	UELPL205D1W3	33.34	140	105	38	13	16	15	68	42	44.4	17.5	M10
	UELPL205-013D1W3												
	UELPL205-014D1W3	1 5/16	5 1/2	4 1/8	1 1/2	1/2	5/8	1 9/32	2 11/16	1 21/32	1.748	0.689	3/8
	UELPL205-015D1W3												
	UELPL205-100D1W3												
30 1 1/16 1 1/8 1 3/16 1 1/4	UELPL206D1W3	39.69	165	121	48	17	20	17	80	54	48.4	18.3	M14
	UELPL206-101D1W3												
	UELPL206-102D1W3	1 9/16	6 1/2	4 3/4	1 7/8	2 1/32	2 5/32	2 1/32	3 5/32	2 1/8	1.906	0.720	1/2
	UELPL206-103D1W3												
	UELPL206-104D1W3												
35 1 1/4 1 5/16 1 3/8 1 7/16	UELPL207D1W3	46.04	167	127	48	17	20	18	91	54	51.1	18.8	M14
	UELPL207-104D1W3												
	UELPL207-105D1W3	1 13/16	6 9/16	5	1 7/8	2 1/32	2 5/32	2 3/32	3 19/32	2 1/8	2.012	0.740	1/2
	UELPL207-106D1W3												
	UELPL207-107D1W3												
45 1 5/8 1 11/16 1 3/4	UELPL209D1W3	52.39	190	146	54	17	20	20	104	60	56.3	21.4	M14
	UELPL209-110D1W3												
	UELPL209-111D1W3	2 1/16	7 15/32	5 3/4	2 1/8	2 1/32	2 5/32	2 5/32	4 3/32	2 3/8	2.217	0.843	1/2
	UELPL209-112D1W3												
50 1 13/16 1 7/8 1 15/16 2	UELPL210D1W3	55.56	206	159	60	20	23	21	112	65	62.7	24.6	M16
	UELPL210-113D1W3												
	UELPL210-114D1W3	2 3/16	8 1/8	6 1/4	2 3/8	2 5/32	2 9/32	1 13/16	4 13/32	2 9/16	2.469	0.969	5/8
	UELPL210-115D1W3												
	UELPL210-200D1W3												

Remarks: 1) These numbers indicate relubricatable type. If maintenance free type is needed, please order without suffix "D1"

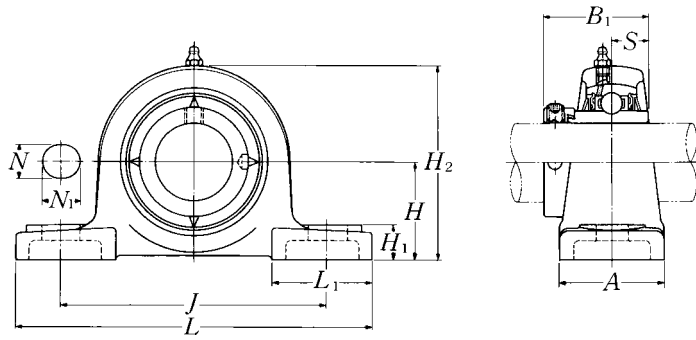
2) UELPL204 and UELPL205 has solid bases.

3) UELPL208 has the same dimension as UELP208 shown in page 174.

Note: Please refer to page 25 for size of grease fitting.

Bearing number	Housing number	Mass of unit	
		kg	lb
UEL204D1W3	PL204D1	0.7	
UEL204-012D1W3	PL204D1	1.5	
UEL205D1W3	PL205D1	0.8	
UEL205-013D1W3	PL205D1		
UEL205-014D1W3	PL205D1	1.8	
UEL205-015D1W3	PL205D1		
UEL205-100D1W3	PL205D1		
UEL206D1W3	PL206D1	1.4	
UEL206-101D1W3	PL206D1		
UEL206-102D1W3	PL206D1	3.1	
UEL206-103D1W3	PL206D1		
UEL206-104D1W3	PL206D1		
UEL207D1W3	PL207D1	1.7	
UEL207-104D1W3	PL207D1		
UEL207-105D1W3	PL207D1	3.7	
UEL207-106D1W3	PL207D1		
UEL207-107D1W3	PL207D1		
UEL209D1W3	PL209D1	2.3	
UEL209-110D1W3	PL209D1		
UEL209-111D1W3	PL209D1	5.1	
UEL209-112D1W3	PL209D1		
UEL210D1W3	PL210D1	2.7	
UEL210-113D1W3	PL210D1		
UEL210-114D1W3	PL210D1	6.0	
UEL210-115D1W3	PL210D1		
UEL210-200D1W3	PL210D1		

**Pillow blocks cast housing low center height
Eccentric locking collar type**



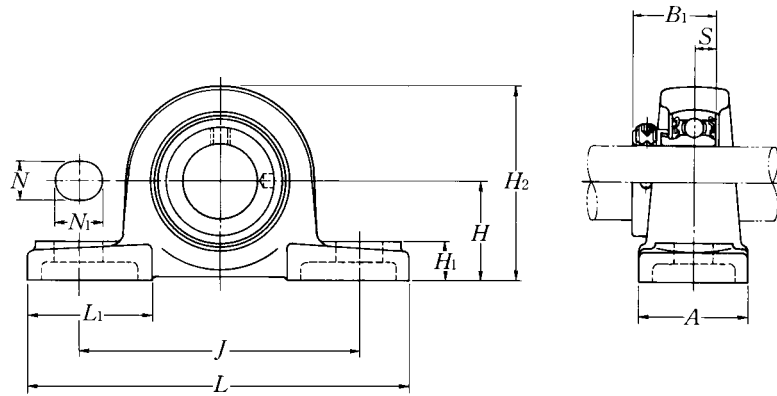
Shaft dia.	Unit number ¹⁾²⁾³⁾	Nominal dimensions											Bolt size
		mm						inch					
mm inch		H	L	J	A	N	N ₁	H ₁	H ₂	L ₁	B ₁	S	mm inch
55	UELPL211D1W3	61.91	219	171	60	20	23	23	124	65	71.4	27.8	M16
2	UELPL211-200D1W3												
2¹/₁₆	UELPL211-201D1W3	2 ⁷ / ₁₆	8 ⁵ / ₈	6 ²³ / ₃₂	2 ³ / ₈	25 ¹ / ₃₂	29 ¹ / ₃₂	29 ¹ / ₃₂	4 ⁷ / ₈	2 ⁹ / ₁₆	2.811	1.094	5 ¹ / ₈
2¹/₈	UELPL211-202D1W3												
2³/₁₆	UELPL211-203D1W3												
60	UELPL212D1W3	68.26	241	184	70	20	23	25	136	70	77.8	31	M16
2¹/₄	UELPL212-204D1W3												
2⁵/₁₆	UELPL212-205D1W3	2 ¹¹ / ₁₆	9 ¹ / ₂	7 ¹ / ₄	2 ³ / ₄	25 ¹ / ₃₂	29 ¹ / ₃₂	3 ¹ / ₃₂	5 ¹¹ / ₃₂	2 ³ / ₄	3.063	1.220	5 ¹ / ₈
2³/₈	UELPL212-206D1W3												
2⁷/₁₆	UELPL212-207D1W3												

Remarks: 1) These numbers indicate relubricatable type. If maintenance free type is needed, please order without suffix "D1".

Note: Please refer to page 25 for size of grease fitting.

Bearing number	Housing number	Mass of unit	
		kg	lb
UEL211D1W3	PL211D1	3.4	
UEL211-200D1W3	PL211D1		
UEL211-201D1W3	PL211D1	7.5	
UEL211-202D1W3	PL211D1		
UEL211-203D1W3	PL211D1		
UEL212D1W3	PL212D1	4.9	
UEL212-204D1W3	PL212D1		
UEL212-205D1W3	PL212D1	11	
UEL212-206D1W3	PL212D1		
UEL212-207D1W3	PL212D1		

**Pillow blocks cast housing low center height
Eccentric locking collar type**

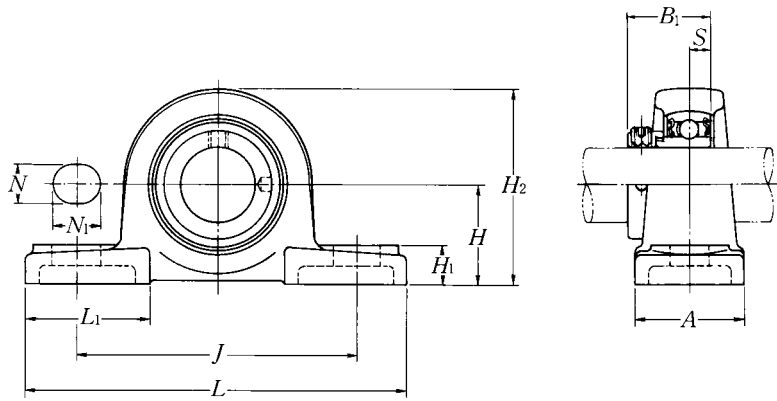


Shaft dia. mm inch	Unit number ^{1) 2)}	Nominal dimensions											Bolt size mm inch
		H	L	J	A	N	N ₁	H ₁	H ₂	L ₁	B ₁	S	
12 1/2	AELPL201W3 AELPL201-008W3	26.99 1 1/16	121 4 3/4	89 3 1/2	35 1 3/8	11 7/16	14 9/16	13 1/2	54 2 1/8	40 1 9/16	28.6 1.126	6.5 0.256	M10 3/8
15 9/16 5/8	AELPL202W3 AELPL202-009W3 AELPL202-010W3	26.99 1 1/16	121 4 3/4	89 3 1/2	35 1 3/8	11 7/16	14 9/16	13 1/2	54 2 1/8	40 1 9/16	28.6 1.126	6.5 0.256	M10 3/8
17 1 1/16	AELPL203W3 AELPL203-011W3	26.99 1 1/16	121 4 3/4	89 3 1/2	35 1 3/8	11 7/16	14 9/16	13 1/2	54 2 1/8	40 1 9/16	28.6 1.126	6.5 0.256	M10 3/8
20 3/4	AELPL204W3 AELPL204-012W3	31.75 1 1/4	127 5	95 3 3/4	38 1 1/2	13 1/2	16 5/8	14 9/16	64 2 17/32	42 1 21/32	31 1.220	7.5 0.295	M10 3/8
25 13/16 7/8 15/16 1	AELPL205W3 AELPL205-013W3 AELPL205-014W3 AELPL205-015W3 AELPL205-100W3	33.34 1 5/16	140 5 1/2	105 4 1/8	38 1 1/2	13 1/2	16 5/8	15 19/32	68 2 11/16	42 1 21/32	31 1.220	7.5 0.295	M10 3/8
30 1 1/16 1 1/8 1 3/16 1 1/4	AELPL206W3 AELPL206-101W3 AELPL206-102W3 AELPL206-103W3 AELPL206-104W3	39.69 1 9/16	165 6 1/2	121 4 3/4	48 1 7/8	17 2 1/32	20 25/32	17 2 1/32	80 3 5/32	54 2 1/8	35.7 1.406	9 0.354	M14 1/2
35 1 1/4 1 5/16 1 3/8 1 7/16	AELPL207W3 AELPL207-104W3 AELPL207-105W3 AELPL207-106W3 AELPL207-107W3	46.04 1 13/16	167 6 9/16	127 5	48 1 7/8	17 2 1/32	20 25/32	18 23/32	91 3 19/32	54 2 1/8	38.9 1.531	9.5 0.374	M14 1/2

Remarks: 1) AELPL201 to AELPL205 has solid base.
2) If relubricatable type is needed, please order with suffix "D1".

Bearing number ²⁾	Housing ²⁾ number	Mass of unit	
		kg	lb
AEL201W3	PL201	0.6	
AEL201-008W3	PL201	1.3	
AEL202W3	PL201	0.6	
AEL202-009W3	PL201	1.3	
AEL202-010W3	PL201		
AEL203W3	PL201	0.6	
AEL203-011W3	PL201	1.3	
AEL204W3	PL204	0.7	
AEL204-012W3	PL204	1.5	
AEL205W3	PL205	0.8	
AEL205-013W3	PL205		
AEL205-014W3	PL205	1.8	
AEL205-015W3	PL205		
AEL205-100W3	PL205		
AEL206W3	PL206	1.2	
AEL206-101W3	PL206		
AEL206-102W3	PL206	2.6	
AEL206-103W3	PL206		
AEL206-104W3	PL206		
AEL207W3	PL207	1.6	
AEL207-104W3	PL207		
AEL207-105W3	PL207	3.5	
AEL207-106W3	PL207		
AEL207-107W3	PL207		

**Pillow blocks cast housing low center height
Eccentric locking collar type**

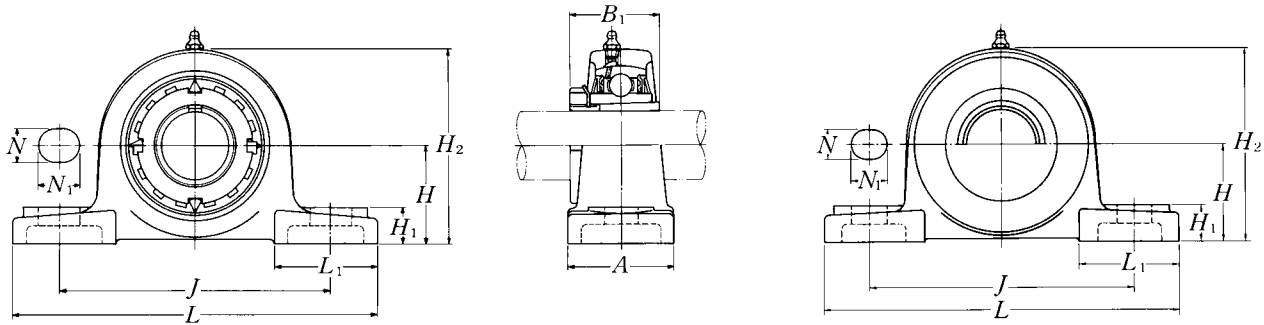


Shaft dia. mm inch	Unit number ^{1) 2)}	Nominal dimensions											Bolt size mm inch
		mm					inch						
		H	L	J	A	N	N ₁	H ₁	H ₂	L ₁	B ₁	S	
12 1/2	JELPL201W3 JELPL201-008W3	26.99 1 1/16	121 4 3/4	89 3 1/2	35 1 3/8	11 7/16	14 9/16	13 1/2	54 2 1/8	40 1 9/16	28.6 1.126	6.5 0.256	M10 3/8
15 9/16 5/8	JELPL202W3 JELPL202-009W3 JELPL202-010W3	26.99 1 1/16	121 4 3/4	89 3 1/2	35 1 3/8	11 7/16	14 9/16	13 1/2	54 2 1/8	40 1 9/16	28.6 1.126	6.5 0.256	M10 3/8
17 1 1/16	JELPL203W3 JELPL203-011W3	26.99 1 1/16	121 4 3/4	89 3 1/2	35 1 3/8	11 7/16	14 9/16	13 1/2	54 2 1/8	40 1 9/16	28.6 1.126	6.5 0.256	M10 3/8
20 3/4	JELPL204W3 JELPL204-012W3	31.75 1 1/4	127 5	95 3 3/4	38 1 1/2	13 1/2	16 5/8	14 9/16	64 2 17/32	42 1 21/32	31 1.220	7.5 0.295	M10 3/8
25 13/16 7/8 15/16 1	JELPL205W3 JELPL205-013W3 JELPL205-014W3 JELPL205-015W3 JELPL205-100W3	33.34 1 5/16	140 5 1/2	105 4 1/8	38 1 1/2	13 1/2	16 5/8	15 19/32	68 2 11/16	42 1 21/32	31 1.220	7.5 0.295	M10 3/8
30 1 1/16 1 1/8 1 3/16 1 1/4	JELPL206W3 JELPL206-101W3 JELPL206-102W3 JELPL206-103W3 JELPL206-104W3	39.69 1 9/16	165 6 1/2	121 4 3/4	48 1 7/8	17 2 1/32	20 25/32	17 2 1/32	80 3 5/32	54 2 1/8	35.7 1.406	9 0.354	M14 1/2
35 1 1/4 1 5/16 1 3/8 1 7/16	JELPL207W3 JELPL207-104W3 JELPL207-105W3 JELPL207-106W3 JELPL207-107W3	46.04 1 13/16	167 6 9/16	127 5	48 1 7/8	17 2 1/32	20 25/32	18 23/32	91 3 19/32	54 2 1/8	38.9 1.531	9.5 0.374	M14 1/2

Remarks: 1) JELPL201 to JELPL205 has solid base.
2) If relubricatable type is needed, please order with suffix "D1".

Bearing number ²⁾	Housing ²⁾ number	Mass of unit	
		kg	lb
JEL201W3	PL201	0.6	
JEL201-008W3	PL201	1.3	
JEL202W3	PL201	0.6	
JEL202-009W3	PL201	1.3	
JEL202-010W3	PL201		
JEL203W3	PL201	0.6	
JEL203-011W3	PL201	1.3	
JEL204W3	PL204	0.7	
JEL204-012W3	PL204	1.5	
JEL205W3	PL205	0.8	
JEL205-013W3	PL205		
JEL205-014W3	PL205	1.8	
JEL205-015W3	PL205		
JEL205-100W3	PL205		
JEL206W3	PL206	1.2	
JEL206-101W3	PL206		
JEL206-102W3	PL206	2.6	
JEL206-103W3	PL206		
JEL206-104W3	PL206		
JEL207W3	PL207	1.6	
JEL207-104W3	PL207		
JEL207-105W3	PL207	3.5	
JEL207-106W3	PL207		
JEL207-107W3	PL207		

**Pillow blocks cast housing
Adapter type**

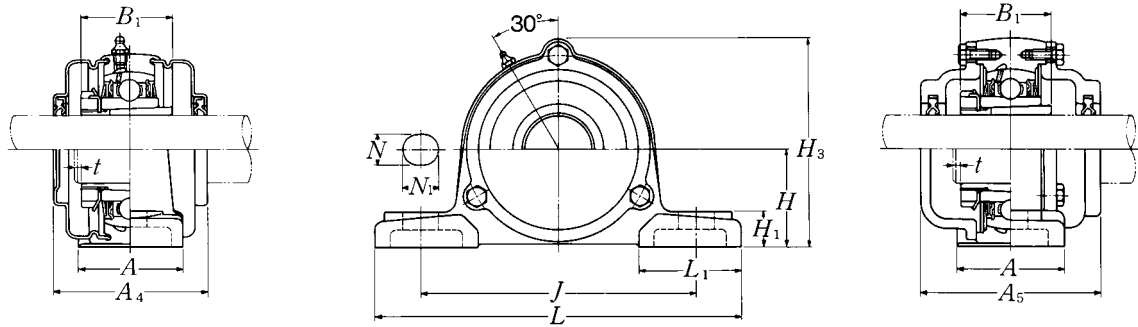


Pressed steel dust cover type
Open end: **S-UKP...D1**
Closed end: **SM-UKP...D1**

Shaft dia. mm inch	Unit number ^{1) 2) 3)}	Nominal dimensions										Bolt size mm inch	Bearing number
		H	L	J	A	N	N ₁	H ₁	H ₂	B ₁	L ₁		
20 3/4	UKP205D1;H2305X UKP205D1;HE2305	36.5 1 1/16	140 5 1/2	105 4 1/8	38 1 1/2	13 1/2	16 5/8	15 19/32	71 2 25/32	35 1.378	42 1 21/32	M10 3/8	UK205D1;H2305X UK205D1;HE2305
25 7/8 1	UKP206D1;H2306X UKP206D1;HS2306 UKP206D1;HE2306X	42.9 1 11/16	165 6 1/2	121 4 3/4	48 1 7/8	17 2 1/32	20 25/32	17 2 1/32	83 3 3/32	38 1.496	54 2 1/8	M14 1/2	UK206D1;H2306X UK206D1;HS2306 UK206D1;HE2306X
30 1 1/8	UKP207D1;H2307X UKP207D1;HS2307	47.6 1 7/8	167 6 9/16	127 5	48 1 7/8	17 2 1/32	20 25/32	18 23/32	93 3 21/32	43 1.693	54 2 1/8	M14 1/2	UK207D1;H2307X UK207D1;HS2307
35 1 1/4 1 3/8	UKP208D1;H2308X UKP208D1;HE2308X UKP208D1;HS2308X	49.2 1 15/16	184 7 1/4	137 5 13/32	54 2 1/8	17 2 1/32	20 25/32	18 23/32	98 3 27/32	46 1.811	52 2 1/16	M14 1/2	UK208D1;H2308X UK208D1;HE2308X UK208D1;HS2308X
40 1 7/16 1 1/2 1 5/8	UKP209D1;H2309X UKP209D1;HA2309 UKP209D1;HE2309X UKP209D1;HS2309X	54 2 1/8	190 7 5/8	146 5 3/4	54 2 1/8	17 2 1/32	20 25/32	20 25/32	106 4 3/16	50 1.969	60 2 3/8	M14 1/2	UK209D1;H2309X UK209D1;HA2309 UK209D1;HE2309X UK209D1;HS2309X
45 1 5/8 1 11/16 1 3/4	UKP210D1;H2310X UKP210D1;HS2310 UKP210D1;HA2310 UKP210D1;HE2310X	57.2 2 1/4	206 8 1/8	159 6 1/4	60 2 3/8	20 25/32	23 29/32	21 13/16	114 4 1/2	55 2.165	65 2 9/16	M16 5/8	UK210D1;H2310X UK210D1;HS2310 UK210D1;HA2310 UK210D1;HE2310X
50 1 7/8 1 15/16 2	UKP211D1;H2311X UKP211D1;HS2311 UKP211D1;HA2311 UKP211D1;HE2311XY	63.5 2 1/2	219 8 5/8	171 6 23/32	60 2 3/8	20 25/32	23 29/32	23 29/32	126 4 31/32	59 2.323	65 2 9/16	M16 5/8	UK211D1;H2311X UK211D1;HS2311 UK211D1;HA2311 UK211D1;HE2311XY
55 2 1/8	UKP212D1;H2312X UKP212D1;HS2312	69.8 2 3/4	241 9 1/2	184 7 1/4	70 2 3/4	20 25/32	23 29/32	25 31/32	138 5 7/16	62 2.441	70 2 3/4	M16 5/8	UK212D1;H2312X UK212D1;HS2312
60 2 3/16 2 1/4 2 3/8	UKP213D1;H2313X UKP213D1;HA2313 UKP213D1;HE2313X UKP213D1;HS2313X	76.2 3	265 10 7/16	203 8	70 2 3/4	25 3 1/32	28 1 3/32	27 1 1/16	151 5 15/16	65 2.559	77 3 1/32	M20 3/4	UK213D1;H2313X UK213D1;HA2313 UK213D1;HE2313X UK213D1;HS2313X

Remarks: 1) These numbers indicate relubricatable type. If maintenance free type is needed, please order without suffix "D1".
2) Adapter number with suffix "X" means a narrow slot type adapter sleeve.
In this case the lock washer with the straight inner prong should be used.
3) For HE2311XY, screw thread pitch different from the standard is applied, because of the thin thread section of sleeve.
To distinguish it, a suffix "Y" is added.

Note: Please refer to page 25 for size of grease fitting.



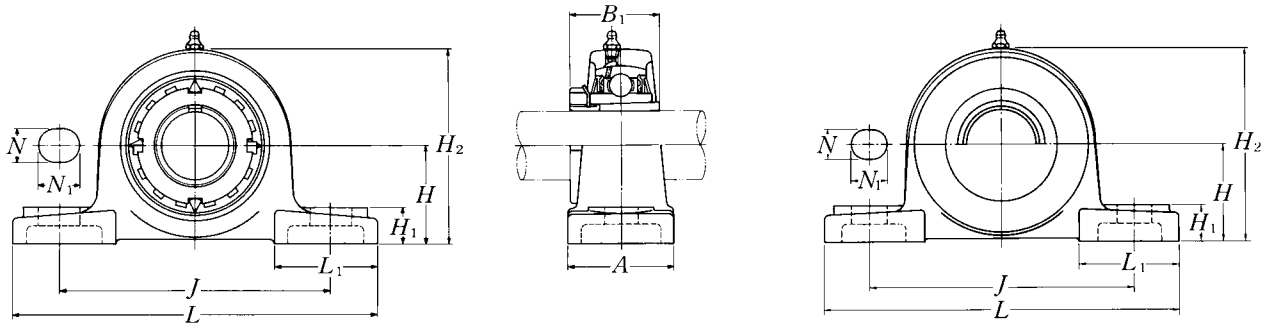
Cast dust cover type

Open end: **C-UKP...D1**

Closed end: **CM-UKP...D1**

Housing number	Unit number pressed steel dust cover type	Unit number cast dust cover type	Nominal dimensions				Mass of unit		
			mm		inch		kg		lb
			t max.	A ₄	H ₃	A ₅	UKP	S(SM)	C(CM)
P205D1	S(SM)-UKP205D1;H2305X	C(CM)-UKP205D1;H2305X	2	57	76	70	0.9	0.9	1.3
P205D1	S(SM)-UKP205ED1;HE2305	C(CM)-UKP205ED1;HE2305	5/64	2 1/4	3	2 3/4	2.0	2.0	2.9
P206D1	S(SM)-UKP206D1;H2306X	C(CM)-UKP206D1;H2306X	2	62	88	75	1.3	1.4	1.9
P206D1	S(SM)-UKP206SD1;HS2306	C(CM)-UKP206SD1;HS2306	5/64	2 7/16	3 15/32	2 15/16	2.9	3.1	4.2
P206D1	S(SM)-UKP206ED1;HE2306X	C(CM)-UKP206ED1;HE2306X							
P207D1	S(SM)-UKP207D1;H2307X	C(CM)-UKP207D1;H2307X	3	72	99	80	1.7	1.8	2.4
P207D1	S(SM)-UKP207SD1;HS2307	C(CM)-UKP207SD1;HS2307	1/8	2 27/32	3 29/32	3 5/32	3.7	4.0	5.3
P208D1	S(SM)-UKP208D1;H2308X	C(CM)-UKP208D1;H2308X	3	82	105	90	2.0	2.1	3.4
P208D1	S(SM)-UKP208ED1;HE2308X	C(CM)-UKP208ED1;HE2308X	1/8	3 7/32	4 1/8	3 17/32	4.4	4.6	7.5
P208D1	S(SM)-UKP208D1;HS2308X	C(CM)-UKP208D1;HS2308X							
P209D1	S(SM)-UKP209D1;H2309X	C(CM)-UKP209D1;H2309X	3	82	113	95	2.3	2.5	3.7
P209D1	S(SM)-UKP209AD1;HA2309	C(CM)-UKP209AD1;HA2309	1/8	3 7/32	4 7/16	3 3/4	5.1	5.5	8.2
P209D1	S(SM)-UKP209ED1;HE2309X	C(CM)-UKP209ED1;HE2309X							
P209D1	S(SM)-UKP209SD1;HS2309X	C(CM)-UKP209SD1;HS2309X							
P210D1	S(SM)-UKP210D1;H2310X	C(CM)-UKP210D1;H2310X	3	87	119	100	2.8	3.0	4.5
P210D1	S(SM)-UKP210SD1;HS2310	C(CM)-UKP210SD1;HS2310	1/8	3 7/16	4 11/16	3 15/16	6.2	6.6	9.9
P210D1	S(SM)-UKP210AD1;HA2310	C(CM)-UKP210AD1;HA2310							
P210D1	S(SM)-UKP210ED1;HE2310X	C(CM)-UKP210ED1;HE2310X							
P211D1	S(SM)-UKP211D1;H2311X	C(CM)-UKP211D1;H2311X	4	92	130	100	3.5	3.8	5.6
P211D1	S(SM)-UKP211SD1;HS2311	C(CM)-UKP211SD1;HS2311	5/32	3 5/8	5 1/8	3 15/16	7.7	8.4	12
P211D1	S(SM)-UKP211AD1;HA2311	C(CM)-UKP211AD1;HA2311							
P211D1	S(SM)-UKP211ED1;HE2311XY	C(CM)-UKP211ED1;HE2311XY							
P212D1	S(SM)-UKP212D1;H2312X	C(CM)-UKP212D1;H2312X	4	102	143	115	4.7	5.0	6.9
P212D1	S(SM)-UKP212SD1;HS2312	C(CM)-UKP212SD1;HS2312	5/32	4 1/32	5 5/8	4 17/32	10	11	15
P213D1	S(SM)-UKP213D1;H2313X	C(CM)-UKP213D1;H2313X	4	107	155	120	6.0	6.4	8.1
P213D1	S(SM)-UKP213AD1;HA2313	C(CM)-UKP213AD1;HA2313	5/32	4 7/32	6 3/32	4 23/32	13	14	18
P213D1	S(SM)-UKP213ED1;HE2313X	C(CM)-UKP213ED1;HE2313X							
P213D1	S(SM)-UKP213SD1;HS2313X	C(CM)-UKP213SD1;HS2313X							

**Pillow blocks cast housing
Adapter type**



Pressed steel dust cover type

Open end: **S-UKP...D1**

Closed end: **SM-UKP...D1**

Shaft dia. mm inch	Unit number ^{1) 2) 3)}	Nominal dimensions										Bolt size mm inch	Bearing number
		H	L	J	A	N	N ₁	H ₁	H ₂	B ₁	L ₁		
65 2 ⁷ / ₁₆ 2 ¹ / ₂	UKP215D1;H2315X UKP215D1;HA2315 UKP215D1;HE2315X	82.6 3 ¹ / ₄	275 10 ¹³ / ₁₆	217 8 ¹⁷ / ₃₂	74 2 ²⁹ / ₃₂	25 3 ¹ / ₃₂	28 1 ³ / ₃₂	28 1 ³ / ₃₂	163 6 ¹³ / ₃₂	73 2.874	80 3 ⁵ / ₃₂	M20 3/4	UK215D1;H2315X UK215D1;HA2315 UK215D1;HE2315X
70 2 ¹¹ / ₁₆ 2 ³ / ₄	UKP216D1;H2316X UKP216D1;HA2316 UKP216D1;HE2316X	88.9 3 ¹ / ₂	292 11 ¹ / ₂	232 9 ¹ / ₈	78 3 ¹ / ₁₆	25 3 ¹ / ₃₂	28 1 ³ / ₃₂	30 1 ³ / ₁₆	175 6 ⁷ / ₈	78 3.071	85 3 ¹¹ / ₃₂	M20 3/4	UK216D1;H2316X UK216D1;HA2316 UK216D1;HE2316X
75 2 ¹⁵ / ₁₆ 3	UKP217D1;H2317X UKP217D1;HA2317X UKP217D1;HE2317X	95.2 3 ³ / ₄	310 12 ⁷ / ₃₂	247 9 ²³ / ₃₂	83 3 ⁹ / ₃₂	25 3 ¹ / ₃₂	28 1 ³ / ₃₂	32 1 ¹ / ₄	187 7 ³ / ₈	82 3.228	85 3 ¹¹ / ₃₂	M20 3/4	UK217D1;H2317X UK217D1;HA2317X UK217D1;HE2317X
80 3 ³ / ₁₆	UKP218D1;H2318X UKP218D1;HA2318X	101.6 4	327 12 ⁷ / ₈	262 10 ⁵ / ₁₆	88 3 ¹⁵ / ₃₂	27 1 ¹ / ₁₆	30 1 ³ / ₁₆	33 1 ⁵ / ₁₆	200 7 ⁷ / ₈	86 3.386	90 3 ¹⁷ / ₃₂	M22 7/8	UK218D1;H2318X UK218D1;HA2318X

Remarks: 1) These numbers indicate relubricatable type. If maintenance free type is needed, please order without suffix "D1".

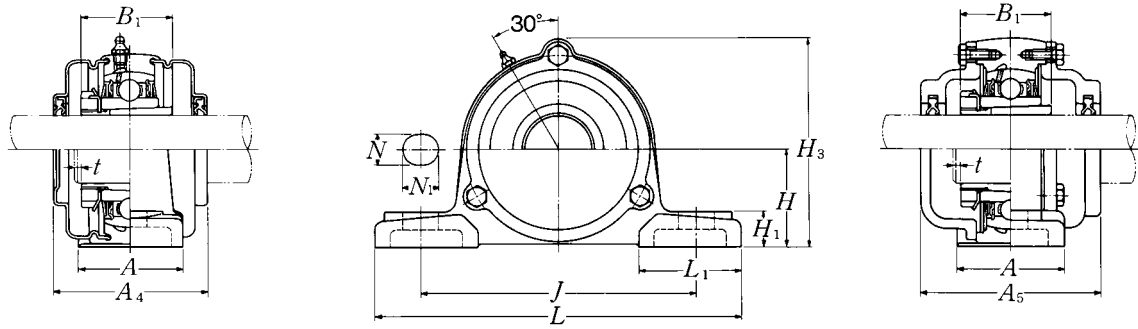
2) Adapter number with suffix "X" means a narrow slot type adapter sleeve.

In this case the lock washer with the straight inner prong should be used.

3) For HE2311XY, screw thread pitch different from the standard is applied, because of the thin thread section of sleeve.

To distinguish it, a suffix "Y" is added.

Note: Please refer to page 25 for size of grease fitting.



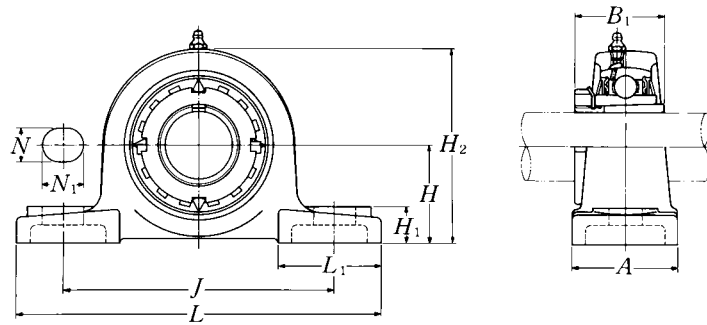
Cast dust cover type

Open end: **C-UKP...D1**

Closed end: **CM-UKP...D1**

Housing number	Unit number pressed steel dust cover type	Unit number cast dust cover type	Nominal dimensions				Mass of unit		
			mm		inch		kg		lb
			t max.	A ₄	H ₃	A ₅	UKP	S(SM)	C(CM)
P215D1	—	C(CM)-UKP215D1;H2315X	4	—	168	135	7.6	—	12
P215D1	—	C(CM)-UKP215AD1;HA2315	5/32	—	6 5/8	5 5/16	17	—	26
P215D1	—	C(CM)-UKP215ED1;HE2315X							
P216D1	—	C(CM)-UKP216D1;H2316X	4	—	181	145	9.4	—	13
P216D1	—	C(CM)-UKP216AD1;HA2316	5/32	—	7 1/8	5 23/32	21	—	29
P216D1	—	C(CM)-UKP216D1;HE2316X							
P217D1	—	C(CM)-UKP217D1;H2317X	5	—	191	155	12	—	16
P217D1	—	C(CM)-UKP217AD1;HA2317X	13/64	—	7 17/32	6 3/32	26	—	35
P217D1	—	C(CM)-UKP217ED1;HE2317X							
P218D1	—	C(CM)-UKP218D1;H2318X	5	—	204	165	14	—	19
P218D1	—	C(CM)-UKP218AD1;HA2318X	13/64	—	8 1/32	6 1/2	31	—	42

Pillow blocks cast housing
Adapter type



Shaft dia.	Unit number ^{1) 2) 3)}	Nominal dimensions										Bolt size	Bearing number
		mm					inch						
		H	L	J	A	N	N ₁	H ₁	H ₂	B ₁	L ₁		
20 3/4	UKP305D1;H2305X UKP305D1;HE2305	45 1 49/64	175 6 7/8	132 5 3/16	45 1 25/32	17 2 1/32	20 25/32	15 19/32	85 3 11/32	35 1.378	54 2 1/8	M14 1/2	UK305D1;H2305X UK305D1;HE2305
25 7/8 1	UKP306D1;H2306X UKP306D1;HS2306 UKP306D1;HE2306X	50 1 31/32	180 7 3/32	140 5 1/2	50 1 31/32	17 2 1/32	20 25/32	18 23/32	95 3 3/4	38 1.496	54 2 1/8	M14 1/2	UK306D1;H2306X UK306D1;HS2306 UK306D1;HE2306X
30 1 1/8	UKP307D1;H2307X UKP307D1;HS2307	56 2 13/64	210 8 9/32	160 6 5/16	56 2 7/32	17 2 1/32	25 31/32	20 25/32	106 4 3/16	43 1.693	60 2 3/8	M14 1/2	UK307D1;H2307X UK307D1;HS2307
35 1 1/4 1 3/8	UKP308D1;H2308X UKP308D1;HE2308X UKP308D1;HS2308X	60 2 23/64	220 8 21/32	170 6 11/16	60 2 3/8	17 2 1/32	27 1 1/16	22 7/8	116 4 9/16	46 1.811	60 2 3/8	M14 1/2	UK308D1;H2308X UK308D1;HE2308X UK308D1;HS2308X
40 1 7/16 1 1/2 1 5/8	UKP309D1;H2309X UKP309D1;HA2309 UKP309D1;HE2309X UKP309D1;HS2309X	67 2 41/64	245 9 21/32	190 7 15/32	67 2 5/8	20 25/32	30 1 3/16	24 15/16	129 5 3/32	50 1.969	65 2 9/16	M16 5/8	UK309D1;H2309X UK309D1;HA2309 UK309D1;HE2309X UK309D1;HS2309X
45 1 5/8 1 11/16 1 3/4	UKP310D1;H2310X UKP310D1;HS2310 UKP310D1;HA2310 UKP310D1;HE2310X	75 2 61/64	275 10 13/16	212 8 11/32	75 2 15/16	20 25/32	35 1 3/8	27 1 1/16	143 5 5/8	55 2.165	75 2 15/16	M16 5/8	UK310D1;H2310X UK310D1;HS2310 UK310D1;HA2310 UK310D1;HE2310X
50 1 7/8 1 15/16 2	UKP311D1;H2311X UKP311D1;HS2311 UKP311D1;HA2311 UKP311D1;HE2311XY	80 3 5/32	310 12 7/32	236 9 9/32	80 3 5/32	20 25/32	38 1 1/2	30 1 3/16	154 6 1/16	59 2.323	85 3 11/32	M16 5/8	UK311D1;H2311X UK311D1;HS2311 UK311D1;HA2311 UK311D1;HE2311XY
55 2 1/8	UKP312D1;H2312X UKP312D1;HS2312	85 3 11/32	330 13	250 9 27/32	85 3 11/32	25 3 1/32	38 1 1/2	32 1 1/4	165 6 1/2	62 2.441	95 3 3/4	M20 3/4	UK312D1;H2312X UK312D1;HS2312
60 2 3/16 2 1/4 2 3/8	UKP313D1;H2313X UKP313D1;HA2313 UKP313D1;HE2313X UKP313D1;HS2313X	90 3 35/64	340 13 3/8	260 10 1/4	90 3 17/32	25 3 1/32	38 1 1/2	33 1 5/16	176 6 15/16	65 2.559	105 4 1/8	M20 3/4	UK313D1;H2313X UK313D1;HA2313 UK313D1;HE2313X UK313D1;HS2313X

Remarks: 1) These numbers indicate relubricatable type. If maintenance free type is needed, please order without suffix "D1".

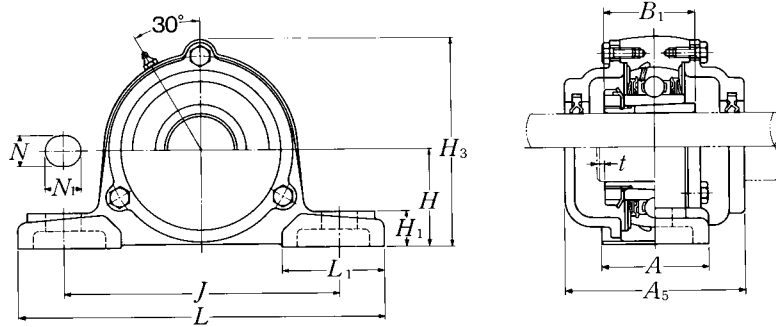
2) Adapter number with suffix "X" means a narrow slot type adapter sleeve.

In this case the lock washer with the straight inner prong should be used.

3) For HE2311XY, screw thread pitch different from the standard is applied, because of the thin thread section of sleeve.

To distinguish it, a suffix "Y" is added.

Note: Please refer to page 25 for size of grease fitting.



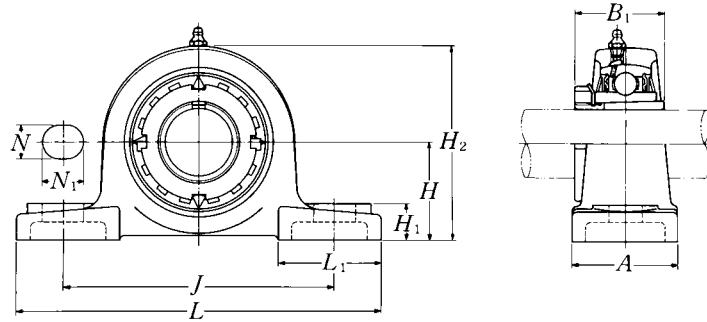
Cast dust cover type

Open end: **C-UKP...D1**

Closed end: **CM-UKP...D1**

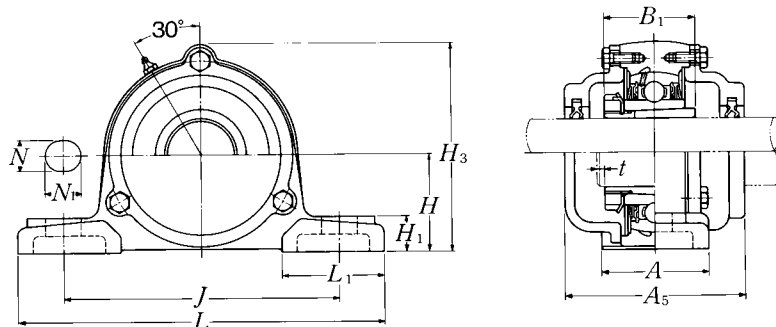
Housing number	Unit number cast dust cover type	Nominal dimensions			Mass of unit	
		mm	inch		kg	lb
		<i>t</i> max.	<i>H</i> ₃	<i>A</i> ₅	UKP	C(CM)
P305D1	C(CM)-UKP305D1;H2305X	2	91	80	1.4	2.2
P305D1	C(CM)-UKP305ED1;HE2305	5/64	3 19/32	3 5/32	3.1	4.9
P306D1	C(CM)-UKP306D1;H2306X	2	105	85	1.8	2.8
P306D1	C(CM)-UKP306SD1;HS2306	5/64	4 1/8	3 11/32	4.0	6.2
P306D1	C(CM)-UKP306ED1;HE2306X					
P307D1	C(CM)-UKP307D1;H2307X	3	115	95	2.9	3.6
P307D1	C(CM)-UKP307SD1;HS2307	1/8	4 17/32	3 3/4	6.4	7.9
P308D1	C(CM)-UKP308D1;H2308X	3	125	105	3.1	4.6
P308D1	C(CM)-UKP308ED1;HE2308X	1/8	4 29/32	4 1/8	6.8	10
P308D1	C(CM)-UKP308D1;HS2308X					
P309D1	C(CM)-UKP309D1;H2309X	3	140	110	4.2	6.3
P309D1	C(CM)-UKP309AD1;HA2309	1/8	5 1/2	4 11/32	9.3	14
P309D1	C(CM)-UKP309ED1;HE2309X					
P309D1	C(CM)-UKP309SD1;HS2309X					
P310D1	C(CM)-UKP310D1;H2310X	3	156	120	5.8	8.5
P310D1	C(CM)-UKP310SD1;HS2310	1/8	6 5/32	4 23/32	13	19
P310D1	C(CM)-UKP310AD1;HA2310					
P310D1	C(CM)-UKP310ED1;HE2310X					
P311D1	C(CM)-UKP311D1;H2311X	4	166	125	7.4	9.8
P311D1	C(CM)-UKP311SD1;HS2311	5/32	6 17/32	4 29/32	16	22
P311D1	C(CM)-UKP311AD1;HA2311					
P311D1	C(CM)-UKP311ED1;HE2311XY					
P312D1	C(CM)-UKP312D1;H2312X	4	179	135	9.3	12
P312D1	C(CM)-UKP312SD1;HS2312	5/32	7 1/16	5 5/16	21	26
P313D1	C(CM)-UKP313D1;H2313X	4	190	140	10	15
P313D1	C(CM)-UKP313AD1;HA2313	5/32	7 15/32	5 1/2	22	33
P313D1	C(CM)-UKP313ED1;HE2313X					
P313D1	C(CM)-UKP313SD1;HS2313X					

**Pillow blocks cast housing
Adapter type**



Shaft dia.	Unit number ^{1) 2) 3)}	Nominal dimensions										Bolt size	Bearing number
		mm					inch						
		H	L	J	A	N	N ₁	H ₁	H ₂	B ₁	L ₁		
65 2 ⁷ / ₁₆ 2 ¹ / ₂	UKP315D1;H2315X UKP315D1;HA2315 UKP315D1;HE2315X	100 3 ¹⁵ / ₁₆	380 14 ³¹ / ₃₂	290 11 ¹³ / ₃₂	100 3 ¹⁵ / ₁₆	27 1 ¹ / ₁₆	40 1 ⁹ / ₁₆	35 1 ³ / ₈	198 7 ²⁵ / ₃₂	73 2.874	110 4 ¹¹ / ₃₂	M22 7/8	UK315D1;H2315X UK315D1;HA2315 UK315D1;HE2315X
70 2 ¹¹ / ₁₆ 2 ³ / ₄	UKP316D1;H2316X UKP316D1;HA2316 UKP316D1;HE2316X	106 4 ¹¹ / ₆₄	400 15 ³ / ₄	300 11 ¹³ / ₁₆	110 4 ¹¹ / ₃₂	27 1 ¹ / ₁₆	40 1 ⁹ / ₁₆	40 1 ⁹ / ₁₆	210 8 ⁹ / ₃₂	78 3.071	110 4 ¹¹ / ₃₂	M22 7/8	UK316D1;H2316X UK316D1;HA2316 UK316D1;HE2316X
75 2 ¹⁵ / ₁₆ 3	UKP317D1;H2317X UKP317D1;HA2317X UKP317D1;HE2317X	112 4 ¹³ / ₃₂	420 16 ¹⁷ / ₃₂	320 12 ¹⁹ / ₃₂	110 4 ¹¹ / ₃₂	33 1 ⁵ / ₁₆	45 1 ²⁵ / ₃₂	40 1 ⁹ / ₁₆	220 8 ²¹ / ₃₂	82 3.228	120 4 ²³ / ₃₂	M27 1	UK317D1;H2317X UK317D1;HA2317X UK317D1;HE2317X
80 3 ³ / ₁₆	UKP318D1;H2318X UKP318D1;HA2318X	118 4 ⁴¹ / ₆₄	430 16 ¹⁵ / ₁₆	330 13	110 4 ¹¹ / ₃₂	33 1 ⁵ / ₁₆	45 1 ²⁵ / ₃₂	45 1 ²⁵ / ₃₂	235 9 ¹ / ₄	86 3.386	120 4 ²³ / ₃₂	M27 1	UK318D1;H2318X UK318D1;HA2318X
85 3 ¹ / ₄	UKP319D1;H2319X UKP319D1;HE2319X	125 4 ⁵⁹ / ₆₄	470 18 ¹ / ₂	360 14 ³ / ₁₆	120 4 ²³ / ₃₂	36 1 ¹³ / ₃₂	50 1 ³¹ / ₃₂	45 1 ²⁵ / ₃₂	250 9 ²⁷ / ₃₂	90 3.543	125 4 ²⁹ / ₃₂	M30 1 ¹ / ₈	UK319D1;H2319X UK319D1;HE2319X
90 3 ⁷ / ₁₆ 3 ¹ / ₂	UKP320D1;H2320X UKP320D1;HA2320 UKP320D1;HE2320X	140 5 ³³ / ₆₄	490 19 ⁹ / ₃₂	380 14 ³¹ / ₃₂	120 4 ²³ / ₃₂	36 1 ¹³ / ₃₂	50 1 ³¹ / ₃₂	50 1 ³¹ / ₃₂	275 10 ¹³ / ₁₆	97 3.819	130 5 ¹ / ₈	M30 1 ¹ / ₈	UK320D1;H2320X UK320D1;HA2320 UK320D1;HE2320X
100	UKP322D1;H2322X	150	520	400	140	40	55	55	300	105	135	M33	UK322D1;H2322X
110	UKP324D1;H2324X	160	570	450	140	40	55	65	320	112	140	M33	UK324D1;H2324X
115	UKP326D1;H2326	180	600	480	140	40	55	75	355	121	140	M33	UK326D1;H2326
125	UKP328D1;H2328	200	620	500	140	40	55	75	390	131	140	M33	UK328D1;H2328

Remarks: 1) These numbers indicate relubricatable type. If maintenance free type is needed, please order without suffix "D1".
 2) Adapter number with suffix "X" means a narrow slot type adapter sleeve. In this case the lock washer with the straight inner prong should be used.
 3) For HE2311XY, screw thread pitch different from the standard is applied, because of the thin thread section of sleeve. To distinguish it, a suffix "Y" is added.
 Note: Please refer to page 25 for size of grease fitting.



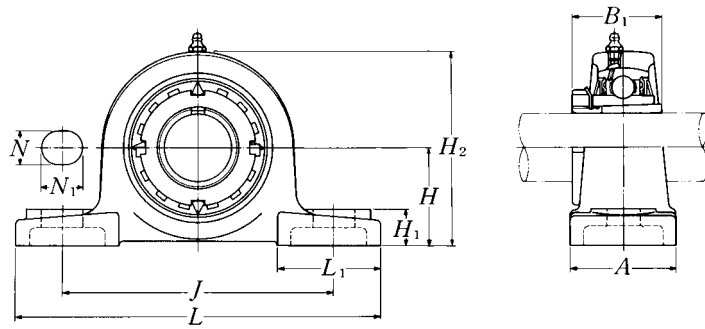
Cast dust cover type

Open end: **C-UKP...D1**

Closed end: **CM-UKP...D1**

Housing number	Unit number cast dust cover type	Nominal dimensions			Mass of unit	
		mm	inch		kg	lb
		t max.	H ₃	A ₅	UKP	C(CM)
P315D1	C(CM)-UKP315D1;H2315X	4	210	150	15	21
P315D1	C(CM)-UKP315AD1;HA2315	5/32	8 9/32	5 29/32	33	46
P315D1	C(CM)-UKP315ED1;HE2315X					
P316D1	C(CM)-UKP316D1;H2316X	4	221	155	18	24
P316D1	C(CM)-UKP316AD1;HA2316	5/32	8 11/16	6 3/32	40	53
P316D1	C(CM)-UKP316D1;HE2316X					
P317D1	C(CM)-UKP317D1;H2317X	5	235	170	20	27
P317D1	C(CM)-UKP317AD1;HA2317X	13/64	9 1/4	6 11/16	44	60
P317D1	C(CM)-UKP317ED1;HE2317X					
P318D1	C(CM)-UKP318D1;H2318X	5	246	170	24	31
P318D1	C(CM)-UKP318AD1;HA2318X	13/64	9 11/16	6 11/16	53	68
P319D1	C(CM)-UKP319D1;H2319X	5	258	180	29	38
P319D1	C(CM)-UKP319ED1;HE2319X	13/64	10 5/32	7 3/32	64	84
P320D1	C(CM)-UKP320D1;H2320X	5	283	190	35	47
P320D1	C(CM)-UKP320AD1;HA2320	13/64	11 5/32	7 15/32	77	104
P320D1	C(CM)-UKP320ED1;HE2320X					
P322D1	C(CM)-UKP322D1;H2322X	5	313	200	46	60
P324D1	C(CM)-UKP324D1;H2324X	5	335	215	55	69
P326D1	C(CM)-UKP326D1;H2326	6	375	225	73	94
P328D1	C(CM)-UKP328D1;H2328	6	407	235	89	114

Pillow blocks cast housing Adapter type



Shaft dia. mm inch	Unit number ^{1) 2) 3)}	Nominal dimensions										Bolt size mm inch
		H	L	J	A	N	N ₁	H ₁	H ₂	B ₁	L ₁	
20 3/4	UKPX05D1;H2305X UKPX05D1;HE2305	44.4 1 3/4	159 6 1/4	119 4 11/16	51 2	17 2 1/32	20 25/32	18 23/32	85 3 11/32	35 1.378	50 1 31/32	M14 1/2
25 7/8 1	UKPX06D1;H2306X UKPX06D1;HS2306 UKPX06D1;HE2306X	47.6 1 7/8	175 6 7/8	127 5	57 2 1/4	17 2 1/32	20 25/32	20 25/32	93 3 2 1/32	38 1.496	54 2 1/8	M14 1/2
30 1 1/8	UKPX07D1;H2307X UKPX07D1;HS2307	54 2 1/8	203 8	144 5 21/32	57 2 1/4	17 2 1/32	20 25/32	21 13/16	105 4 1/8	43 1.693	60 2 3/8	M14 1/2
35 1 1/4 1 3/8	UKPX08D1;H2308X UKPX08D1;HE2308X UKPX08D1;HS2308X	58.7 2 5/16	222 8 3/4	156 6 5/32	67 2 5/8	20 25/32	23 29/32	26 1 1/32	111 4 3/8	46 1.811	65 2 9/16	M16 5/8
40 1 7/16 1 1/2 1 5/8	UKPX09D1;H2309X UKPX09D1;HA2309 UKPX09D1;HE2309X UKPX09D1;HS2309X	58.7 2 5/16	222 8 3/4	156 6 5/32	67 2 5/8	20 25/32	23 29/32	26 1 1/32	116 4 9/16	50 1.969	65 2 9/16	M16 5/8
45 1 5/8 1 11/16 1 3/4	UKPX10D1;H2310X UKPX10D1;HS2310 UKPX10D1;HA2310 UKPX10D1;HE2310X	63.5 2 1/2	241 9 1/2	171 6 23/32	73 2 7/8	20 25/32	23 29/32	27 1 1/16	126 4 31/32	55 2.165	70 2 3/4	M16 5/8
50 1 7/8 1 15/16 2	UKPX11D1;H2311X UKPX11D1;HS2311 UKPX11D1;HA2311 UKPX11D1;HE2311XY	69.8 2 3/4	260 10 1/4	184 7 1/4	79 3 1/8	25 3 1/32	28 1 3/32	30 1 3/16	137 5 13/32	59 2.323	75 2 15/16	M20 3/4
55 2 1/8	UKPX12D1;H2312X UKPX12D1;HS2312	76.2 3	286 11 1/4	203 8	83 3 9/32	25 3 1/32	28 1 3/32	33 1 5/16	151 5 15/16	62 2.441	80 3 5/32	M20 3/4
60 2 3/16 2 1/4 2 3/8	UKPX13D1;H2313X UKPX13D1;HA2313 UKPX13D1;HE2313X UKPX13D1;HS2313X	76.2 3	286 11 1/4	203 8	83 3 9/32	25 3 1/32	28 1 3/32	33 1 5/16	154 6 1/16	65 2.559	80 3 5/32	M20 3/4

Remarks: 1) These numbers indicate relubricatable type. If maintenance free type is needed, please order without suffix "D1".

2) Adapter number with suffix "X" means a narrow slot type adapter sleeve.

In this case the lock washer with the straight inner prong should be used.

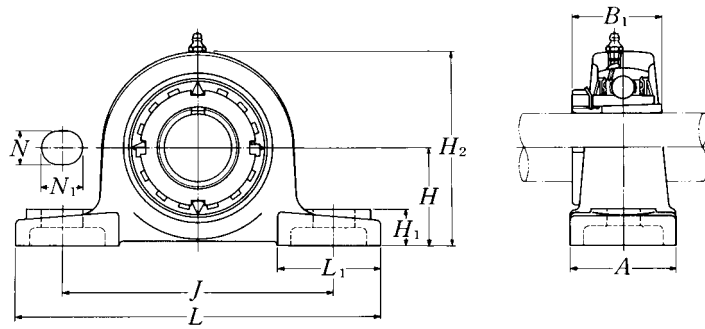
3) For HE2311XY, screw thread pitch different from the standard is applied, because of the thin thread section of sleeve.

To distinguish it, a suffix "Y" is added.

Note: Please refer to page 25 for size of grease fitting.

Bearing number	Housing number	Mass of unit	
		kg	lb
UKX05D1;H2305X	PX05D1	1.5	
UKX05D1;HE2305	PX05D1	3.3	
UKX06D1;H2306X	PX06D1	1.8	
UKX06D1;HS2306	PX06D1	4.0	
UKX06D1;HE2306X	PX06D1		
UKX07D1;H2307X	PX07D1	2.5	
UKX07D1;HS2307	PX07D1	5.5	
UKX08D1;H2308X	PX08D1	3.2	
UKX08D1;HE2308X	PX08D1	7.1	
UKX08D1;HS2308X	PX08D1		
UKX09D1;H2309X	PX09D1	3.3	
UKX09D1;HA2309	PX09D1		
UKX09D1;HE2309X	PX09D1	7.3	
UKX09D1;HS2309X	PX09D1		
UKX10D1;H2310X	PX10D1	4.2	
UKX10D1;HS2310	PX10D1		
UKX10D1;HA2310	PX10D1	9.3	
UKX10D1;HE2310X	PX10D1		
UKX11D1;H2311X	PX11D1	5.4	
UKX11D1;HS2311	PX11D1		
UKX11D1;HA2311	PX11D1	12	
UKX11D1;HE2311XY	PX11D1		
UKX12D1;H2312X	PX12D1	7.1	
UKX12D1;HS2312	PX12D1	16	
UKX13D1;H2313X	PX13D1	7.3	
UKX13D1;HA2313	PX13D1		
UKX13D1;HE2313X	PX13D1	16	
UKX13D1;HS2313X	PX13D1		

**Pillow blocks cast housing
Adapter type**



Shaft dia.	Unit number ^{1) 2) 3)}	Nominal dimensions										Bolt size
		mm		inch		mm		inch		mm		
mm inch		H	L	J	A	N	N ₁	H ₁	H ₂	B ₁	L ₁	mm inch
65	UKPX15D1;H2315X	88.9	330	229	89	27	30	35	175	73	95	M22
$2\frac{7}{16}$	UKPX15D1;HA2315	$3\frac{1}{2}$	13	$9\frac{1}{32}$	$3\frac{1}{2}$	$1\frac{1}{16}$	$1\frac{3}{16}$	$1\frac{3}{8}$	$6\frac{7}{8}$	2.874	$3\frac{3}{4}$	$\frac{7}{8}$
$2\frac{1}{2}$	UKPX15D1;HE2315X											
70	UKPX16D1;H2316X	101.6	381	283	102	27	30	40	194	78	110	M22
$2\frac{11}{16}$	UKPX16D1;HA2316	4	15	$11\frac{5}{32}$	$4\frac{1}{32}$	$1\frac{1}{16}$	$1\frac{3}{16}$	$1\frac{9}{16}$	$7\frac{5}{8}$	3.071	$4\frac{11}{32}$	$\frac{7}{8}$
$2\frac{3}{4}$	UKPX16D1;HE2316X											
75	UKPX17D1;H2317X	101.6	381	283	102	27	30	40	200	82	110	M22
$2\frac{15}{16}$	UKPX17D1;HA2317X	4	15	$11\frac{5}{32}$	$4\frac{1}{32}$	$1\frac{1}{16}$	$1\frac{3}{16}$	$1\frac{9}{16}$	$7\frac{7}{8}$	3.228	$4\frac{11}{32}$	$\frac{7}{8}$
3	UKPX17D1;HE2317X											
80	UKPX18D1;H2318X	101.6	381	283	111	27	30	40	206	86	110	M22
$3\frac{3}{16}$	UKPX18D1;HA2318X	4	15	$11\frac{5}{32}$	$4\frac{3}{8}$	$1\frac{1}{16}$	$1\frac{3}{16}$	$1\frac{9}{16}$	$8\frac{1}{8}$	3.386	$4\frac{11}{32}$	$\frac{7}{8}$
90	UKPX20D1;H2320X	127	432	337	121	33	36	45	244	97	125	M27

Remarks: 1) These numbers indicate relubricatable type. If maintenance free type is needed, please order without suffix "D1".

2) Adapter number with suffix "X" means a narrow slot type adapter sleeve.

In this case the lock washer with the straight inner prong should be used.

3) For HE2311XY, screw thread pitch different from the standard is applied, because of the thin thread section of sleeve.

To distinguish it, a suffix "Y" is added.

Note: Please refer to page 25 for size of grease fitting.

Bearing number	Housing number	Mass of unit	
		kg	lb
UKX15D1;H2315X	PX15D1	11	
UKX15D1;HA2315	PX15D1	24	
UKX15D1;HE2315X	PX15D1		
UKX16D1;H2316X	PX16D1	16	
UKX16D1;HA2316	PX16D1	35	
UKX16D1;HE2316X	PX16D1		
UKX17D1;H2317X	PX17D1	16	
UKX17D1;HA2317X	PX17D1	35	
UKX17D1;HE2317X	PX17D1		
UKX18D1;H2318X	PX18D1	17	
UKX18D1;HA2318X	PX18D1	37	
UKX20D1;H2320X	PX20D1	29	