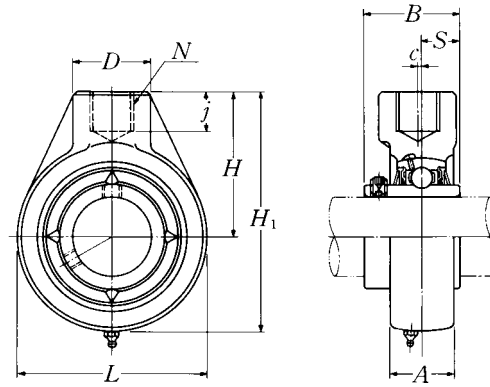


Hanger units cast housing  
Set screw type



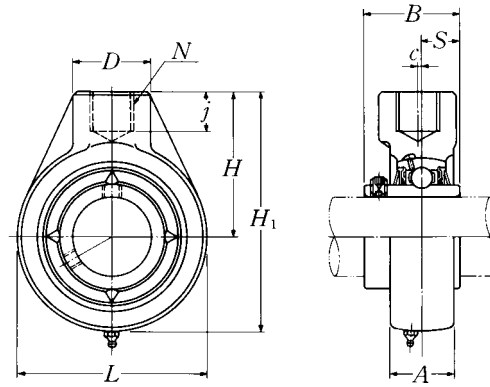
Shaft dia.  mm inch	Unit number <sup>1)</sup>	Nominal dimensions										Bearing number
		mm		inch								
		L	H <sub>1</sub>	c	A	H	N	D	j	B	S	
<b>12</b> 1/2	<b>UCHB201D1</b> <b>UCHB201-008D1</b>	64	96	0	21	64	RP3/4	40	19	31	12.7	<b>UC201D1</b> UC201-008D1
<b>15</b> 9/16 5/8	<b>UCHB202D1</b> <b>UCHB202-009D1</b> <b>UCHB202-010D1</b>	64	96	0	21	64	RP3/4	40	19	31	12.7	<b>UC202D1</b> UC202-009D1 UC202-010D1
<b>17</b> 11/16	<b>UCHB203D1</b> <b>UCHB203-011D1</b>	64	96	0	21	64	RP3/4	40	19	31	12.7	<b>UC203D1</b> UC203-011D1
<b>20</b> 3/4	<b>UCHB204D1</b> <b>UCHB204-012D1</b>	64	96	0	21	64	RP3/4	40	19	31	12.7	<b>UC204D1</b> UC204-012D1
<b>25</b> 13/16 7/8 15/16 1	<b>UCHB205D1</b> <b>UCHB205-013D1</b> <b>UCHB205-014D1</b> <b>UCHB205-015D1</b> <b>UCHB205-100D1</b>	78	103	0	24	64	RP3/4	40	19	34.1	14.3	<b>UC205D1</b> UC205-013D1 UC205-014D1 UC205-015D1 UC205-100D1
<b>30</b> 1 1/16 1 1/8 1 3/16 1 1/4	<b>UCHB206D1</b> <b>UCHB206-101D1</b> <b>UCHB206-102D1</b> <b>UCHB206-103D1</b> <b>UCHB206-104D1</b>	78	103	0	28	64	RP3/4	40	19	38.1	15.9	<b>UC206D1</b> UC206-101D1 UC206-102D1 UC206-103D1 UC206-104D1
<b>35</b> 1 1/4 1 5/16 1 3/8 1 7/16	<b>UCHB207D1</b> <b>UCHB207-104D1</b> <b>UCHB207-105D1</b> <b>UCHB207-106D1</b> <b>UCHB207-107D1</b>	92	116	0	30	70	RP3/4	40	19	42.9	17.5	<b>UC207D1</b> UC207-104D1 UC207-105D1 UC207-106D1 UC207-107D1
<b>40</b> 1 1/2 1 9/16	<b>UCHB208D1</b> <b>UCHB208-108D1</b> <b>UCHB208-109D1</b>	96	121	2	33	73	RP3/4	40	19	49.2	19	<b>UC208D1</b> UC208-108D1 UC208-109D1
<b>45</b> 1 5/8 1 11/16 1 3/4	<b>UCHB209D1</b> <b>UCHB209-110D1</b> <b>UCHB209-111D1</b> <b>UCHB209-112D1</b>	108	136	5	35	82	RP1	48	21	49.2	19	<b>UC209D1</b> UC209-110D1 UC209-111D1 UC209-112D1

Remarks: 1) These numbers indicate relubricatable type. If maintenance free type is needed, please order without suffix "D1".  
Note: Please refer to page 25 for size of grease fitting.

Housing number	Mass of unit kg lb
HB204D1	1.5
HB204D1	0.7
HB204D1	1.5
HB204D1	0.7
HB204D1	1.5
HB204D1	0.7
HB204D1	1.5
HB205D1	1.0
HB205D1	
HB205D1	2.2
HB205D1	
HB205D1	
HB206D1	1.0
HB206D1	
HB206D1	2.2
HB206D1	
HB206D1	
HB207D1	1.4
HB207D1	
HB207D1	3.1
HB207D1	
HB207D1	
HB208D1	1.5
HB208D1	3.3
HB208D1	
HB209D1	2.1
HB209D1	
HB209D1	4.6
HB209D1	

Nominal Designation of Thread	Nominal dimensions mm		
	Major Diameter of Internal Thread	Pitch Diameter	Minor Diameter of Internal Thread
Rp $\frac{3}{4}$ (PS $\frac{3}{4}$ )	26.441	25.279	24.117
Rp1(PS1)	33.249	31.770	30.291
Rp1 $\frac{1}{4}$ (PS1 $\frac{1}{4}$ )	41.910	40.431	38.952
Rp1 $\frac{1}{2}$ (PS1 $\frac{1}{2}$ )	47.803	46.324	44.845

Hanger units cast housing  
Set screw type



Shaft dia.	Unit number <sup>1)</sup>	Nominal dimensions										Bearing number
		mm					inch					
		L	H <sub>1</sub>	c	A	H	N	D	j	B	S	
<b>50</b>	<b>UCHB210D1</b>	118	142	5	37	83	RP1	48	21	51.6	19	<b>UC210D1</b>
$1\frac{13}{16}$	<b>UCHB210-113D1</b>											UC210-113D1
$1\frac{7}{8}$	<b>UCHB210-114D1</b>											UC210-114D1
$1\frac{15}{16}$	<b>UCHB210-115D1</b>											UC210-115D1
<b>2</b>	<b>UCHB210-200D1</b>											UC210-200D1
<b>55</b>	<b>UCHB211D1</b>	126	158	7	38	95	RP1 $\frac{1}{4}$	60	25	55.6	22.2	<b>UC211D1</b>
<b>2</b>	<b>UCHB211-200D1</b>											UC211-200D1
$2\frac{1}{16}$	<b>UCHB211-201D1</b>											UC211-201D1
$2\frac{1}{8}$	<b>UCHB211-202D1</b>											UC211-202D1
$2\frac{3}{16}$	<b>UCHB211-203D1</b>											UC211-203D1
<b>60</b>	<b>UCHB212D1</b>	142	173	9	42	102	RP1 $\frac{1}{4}$	60	28	65.1	25.4	<b>UC212D1</b>
$2\frac{1}{4}$	<b>UCHB212-204D1</b>											UC212-204D1
$2\frac{5}{16}$	<b>UCHB212-205D1</b>											UC212-205D1
$2\frac{3}{8}$	<b>UCHB212-206D1</b>											UC212-206D1
$2\frac{7}{16}$	<b>UCHB212-207D1</b>											UC212-207D1
<b>65</b>	<b>UCHB213D1</b>	166	200	9.5	44	117	RP1 $\frac{1}{2}$	70	32	65.1	25.4	<b>UC213D1</b>
$2\frac{1}{2}$	<b>UCHB213-208D1</b>											UC213-208D1

Remarks: 1) These numbers indicate relubricatable type. If maintenance free type is needed, please order without suffix "D1".

Note: Please refer to page 25 for size of grease fitting.

Housing number	Mass of unit
	kg lb
HB210D1	2.6
HB210D1	
HB210D1	5.7
HB210D1	
HB210D1	
HB211D1	2.9
HB211D1	
HB211D1	6.4
HB211D1	
HB211D1	
HB212D1	4.4
HB212D1	
HB212D1	9.7
HB212D1	
HB212D1	
HB213D1	6.6
HB213D1	15

Nominal Designation of Thread	Nominal dimensions mm		
	Major Diameter of Internal Thread	Pitch Diameter	Minor Diameter of Internal Thread
Rp $\frac{3}{4}$ (PS $\frac{3}{4}$ )	26.441	25.279	24.117
Rp1(PS1)	33.249	31.770	30.291
Rp1 $\frac{1}{4}$ (PS1 $\frac{1}{4}$ )	41.910	40.431	38.952
Rp1 $\frac{1}{2}$ (PS1 $\frac{1}{2}$ )	47.803	46.324	44.845