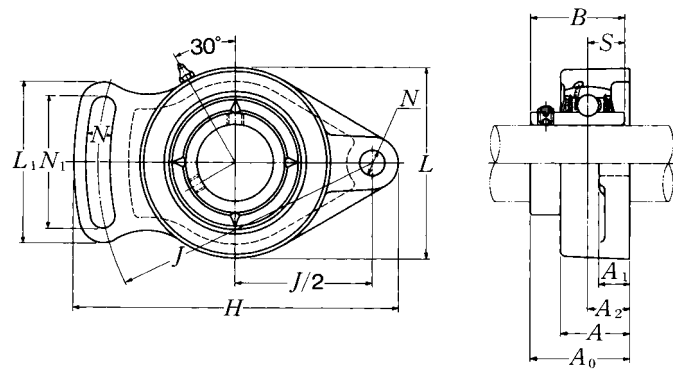


Flanged units cast housing special type Set screw type



Shaft dia. mm inch	Unit number ¹⁾	Nominal dimensions													Bolt size mm inch
		H	J	A ₂	A ₁	A	N	N ₁	L	L ₁	A ₀	B	S		
12 1/2	UCFA201D1	98	78	15	12	25.5	10	40	60	50	33.3	31	12.7	M 8	
	UCFA201-008D1	3 ²⁷ / ₃₂	3 ¹ / ₁₆	1 ⁹ / ₃₂	1 ⁵ / ₃₂	1	2 ⁵ / ₆₄	1 ⁹ / ₁₆	2 ³ / ₈	1 ³¹ / ₃₂	1 ⁵ / ₁₆	1.2205	0.500	5/16	
15 9/16 5/8	UCFA202D1	98	78	15	12	25.5	10	40	60	50	33.3	31	12.7	M 8	
	UCFA202-009D1	3 ²⁷ / ₃₂	3 ¹ / ₁₆	1 ⁹ / ₃₂	1 ⁵ / ₃₂	1	2 ⁵ / ₆₄	1 ⁹ / ₁₆	2 ³ / ₈	1 ³¹ / ₃₂	1 ⁵ / ₁₆	1.2205	0.500	5/16	
	UCFA202-010D1	3 ²⁷ / ₃₂	3 ¹ / ₁₆	1 ⁹ / ₃₂	1 ⁵ / ₃₂	1	2 ⁵ / ₆₄	1 ⁹ / ₁₆	2 ³ / ₈	1 ³¹ / ₃₂	1 ⁵ / ₁₆	1.2205	0.500	5/16	
17 11/16	UCFA203D1	98	78	15	12	25.5	10	40	60	50	33.3	31	12.7	M 8	
	UCFA203-011D1	3 ²⁷ / ₃₂	3 ¹ / ₁₆	1 ⁹ / ₃₂	1 ⁵ / ₃₂	1	2 ⁵ / ₆₄	1 ⁹ / ₁₆	2 ³ / ₈	1 ³¹ / ₃₂	1 ⁵ / ₁₆	1.2205	0.500	5/16	
20 3/4	UCFA204D1	98	78	15	12	25.5	10	40	60	50	33.3	31	12.7	M 8	
	UCFA204-012D1	3 ²⁷ / ₃₂	3 ¹ / ₁₆	1 ⁹ / ₃₂	1 ⁵ / ₃₂	1	2 ⁵ / ₆₄	1 ⁹ / ₁₆	2 ³ / ₈	1 ³¹ / ₃₂	1 ⁵ / ₁₆	1.2205	0.500	5/16	
25 13/16 7/8 15/16 1	UCFA205D1	124	96	15	14	26.5	13	49	70	64	34.8	34.1	14.3	M10	
	UCFA205-013D1	4 ⁷ / ₈	3 ²⁵ / ₃₂	1 ⁹ / ₃₂	9/16	1 ¹ / ₃₂	3 ³ / ₆₄	1 ¹⁵ / ₁₆	2 ³ / ₄	2 ¹⁷ / ₃₂	1 ³ / ₈	1.3425	0.563	3/8	
	UCFA205-014D1	4 ⁷ / ₈	3 ²⁵ / ₃₂	1 ⁹ / ₃₂	9/16	1 ¹ / ₃₂	3 ³ / ₆₄	1 ¹⁵ / ₁₆	2 ³ / ₄	2 ¹⁷ / ₃₂	1 ³ / ₈	1.3425	0.563	3/8	
	UCFA205-015D1	4 ⁷ / ₈	3 ²⁵ / ₃₂	1 ⁹ / ₃₂	9/16	1 ¹ / ₃₂	3 ³ / ₆₄	1 ¹⁵ / ₁₆	2 ³ / ₄	2 ¹⁷ / ₃₂	1 ³ / ₈	1.3425	0.563	3/8	
30 1 1/16 1 1/8 1 3/16 1 1/4	UCFA206D1	141	115	18	14	31	13	53	80	68	40.2	38.1	15.9	M10	
	UCFA206-101D1	5 ⁹ / ₁₆	4 ¹⁷ / ₃₂	4 ⁵ / ₆₄	9/16	1 ⁷ / ₃₂	3 ³ / ₆₄	2 ³ / ₃₂	3 ⁵ / ₃₂	2 ¹¹ / ₁₆	1 ³⁷ / ₆₄	1.5000	0.626	3/8	
	UCFA206-102D1	5 ⁹ / ₁₆	4 ¹⁷ / ₃₂	4 ⁵ / ₆₄	9/16	1 ⁷ / ₃₂	3 ³ / ₆₄	2 ³ / ₃₂	3 ⁵ / ₃₂	2 ¹¹ / ₁₆	1 ³⁷ / ₆₄	1.5000	0.626	3/8	
	UCFA206-103D1	5 ⁹ / ₁₆	4 ¹⁷ / ₃₂	4 ⁵ / ₆₄	9/16	1 ⁷ / ₃₂	3 ³ / ₆₄	2 ³ / ₃₂	3 ⁵ / ₃₂	2 ¹¹ / ₁₆	1 ³⁷ / ₆₄	1.5000	0.626	3/8	
35 1 1/4 1 5/16 1 3/8 1 7/16	UCFA207D1	155	128	20	16	34	15	60	90	75	45.4	42.9	17.5	M12	
	UCFA207-104D1	6 ³ / ₃₂	5 ¹ / ₃₂	2 ⁵ / ₃₂	5/8	1 ¹¹ / ₃₂	1 ⁹ / ₃₂	2 ³ / ₈	3 ¹⁷ / ₃₂	2 ¹⁵ / ₁₆	1 ²⁵ / ₃₂	1.6890	0.689	7/16	
	UCFA207-105D1	6 ³ / ₃₂	5 ¹ / ₃₂	2 ⁵ / ₃₂	5/8	1 ¹¹ / ₃₂	1 ⁹ / ₃₂	2 ³ / ₈	3 ¹⁷ / ₃₂	2 ¹⁵ / ₁₆	1 ²⁵ / ₃₂	1.6890	0.689	7/16	
	UCFA207-106D1	6 ³ / ₃₂	5 ¹ / ₃₂	2 ⁵ / ₃₂	5/8	1 ¹¹ / ₃₂	1 ⁹ / ₃₂	2 ³ / ₈	3 ¹⁷ / ₃₂	2 ¹⁵ / ₁₆	1 ²⁵ / ₃₂	1.6890	0.689	7/16	
40 1 1/2 1 9/16	UCFA208D1	171	142	22	16	36	15	69	100	84	52.2	49.2	19	M12	
	UCFA208-108D1	6 ²³ / ₃₂	5 ¹⁹ / ₃₂	5 ⁵ / ₆₄	5/8	1 ¹³ / ₃₂	1 ⁹ / ₃₂	2 ²³ / ₃₂	3 ¹⁵ / ₁₆	3 ⁵ / ₁₆	2 ¹ / ₁₆	1.9370	0.748	7/16	
	UCFA208-109D1	6 ²³ / ₃₂	5 ¹⁹ / ₃₂	5 ⁵ / ₆₄	5/8	1 ¹³ / ₃₂	1 ⁹ / ₃₂	2 ²³ / ₃₂	3 ¹⁵ / ₁₆	3 ⁵ / ₁₆	2 ¹ / ₁₆	1.9370	0.748	7/16	

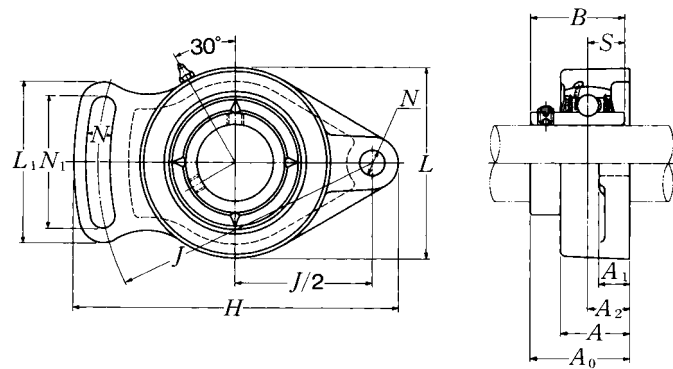
Remarks: 1) These numbers indicate relubricatable type. If maintenance free type is needed, please order without suffix "D1".

Note: Please refer to page 25 for size of grease fitting.

Bearing number	Housing number	Mass of unit	
		kg	lb
UC201D1	FA204D1	0.7	
UC201-008D1	FA204D1	1.5	
UC202D1	FA204D1	0.6	
UC202-009D1	FA204D1	1.3	
UC202-010D1	FA204D1		
UC203D1	FA204D1	0.6	
UC203-011D1	FA204D1	1.3	
UC204D1	FA204D1	0.6	
UC204-012D1	FA204D1	1.3	
UC205D1	FA205D1	0.8	
UC205-013D1	FA205D1		
UC205-014D1	FA205D1	1.8	
UC205-015D1	FA205D1		
UC205-100D1	FA205D1		
UC206D1	FA206D1	1.2	
UC206-101D1	FA206D1		
UC206-102D1	FA206D1	2.6	
UC206-103D1	FA206D1		
UC206-104D1	FA206D1		
UC207D1	FA207D1	1.5	
UC207-104D1	FA207D1		
UC207-105D1	FA207D1	3.3	
UC207-106D1	FA207D1		
UC207-107D1	FA207D1		
UC208D1	FA208D1	1.8	
UC208-108D1	FA208D1	4.0	
UC208-109D1	FA208D1		

Flanged units cast housing special type

Set screw type



Shaft dia.	Unit number ¹⁾	Nominal dimensions												Bolt size
		mm						inch						
mm inch		H	J	A ₂	A ₁	A	N	N ₁	L	L ₁	A ₀	B	S	mm inch
45	UCFA209D1	179	146	22	18	38	17	72	110	88	52.2	49.2	19	M14
1⁵/₈	UCFA209-110D1													
1¹¹/₁₆	UCFA209-111D1	7 ⁷ / ₁₆	5 ³ / ₄	55 ⁵ / ₆₄	23 ²³ / ₃₂	1 ¹ / ₂	43 ⁴³ / ₆₄	2 ²⁷ / ₃₂	4 ¹¹ / ₃₂	3 ¹⁵ / ₃₂	2 ¹ / ₁₆	1.9370	0.748	1/2
1³/₄	UCFA209-112D1													
50	UCFA210D1	189	155	22	18	40	17	75	115	92	54.6	51.6	19	M14
1¹³/₁₆	UCFA210-113D1													
1⁷/₈	UCFA210-114D1	7 ⁷ / ₁₆	6 ³ / ₃₂	55 ⁵ / ₆₄	23 ²³ / ₃₂	1 ⁹ / ₁₆	43 ⁴³ / ₆₄	2 ¹⁵ / ₁₆	4 ¹⁷ / ₃₂	3 ⁵ / ₈	2 ⁵ / ₃₂	2.0315	0.748	1/2
1¹⁵/₁₆	UCFA210-115D1													
2	UCFA210-200D1													
55	UCFA211D1	216	182	26	20	43	17	85	130	102	59.4	55.6	22.2	M14
2	UCFA211-200D1													
2¹/₁₆	UCFA211-201D1	8 ¹ / ₈	7 ⁵ / ₃₂	1 ¹ / ₃₂	2 ⁵ / ₃₂	1 ¹¹ / ₁₆	43 ⁴³ / ₆₄	3 ¹¹ / ₃₂	5 ¹ / ₈	4 ¹ / ₃₂	2 ¹¹ / ₃₂	2.1890	0.874	1/2
2¹/₈	UCFA211-202D1													
2³/₁₆	UCFA211-203D1													

Remarks: 1) These numbers indicate relubricatable type. If maintenance free type is needed, please order without suffix "D1".

Note: Please refer to page 25 for size of grease fitting.

Bearing number	Housing number	Mass of unit	
		kg	lb
UC209D1	FA209D1	2.2	
UC209-110D1	FA209D1		
UC209-111D1	FA209D1	4.9	
UC209-112D1	FA209D1		
UC210D1	FA210D1	2.6	
UC210-113D1	FA210D1		
UC210-114D1	FA210D1	5.7	
UC210-115D1	FA210D1		
UC210-200D1	FA210D1		
UC211D1	FA211D1	3.6	
UC211-200D1	FA211D1		
UC211-201D1	FA211D1	7.9	
UC211-202D1	FA211D1		
UC211-203D1	FA211D1		