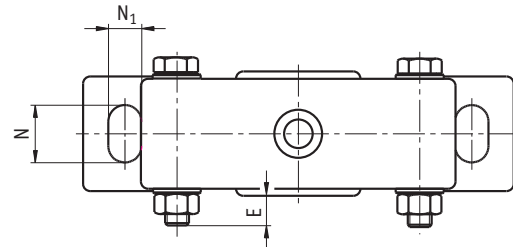
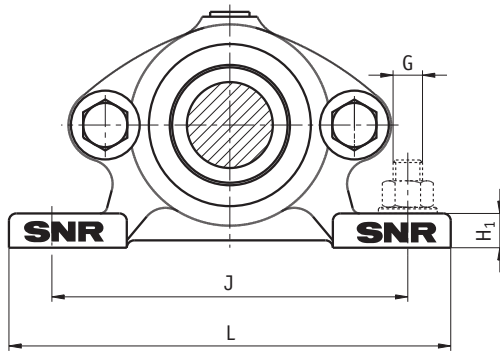
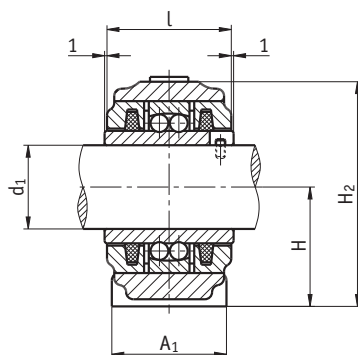


Plummer Block Housings TN200/300

for self-aligning ball bearing with widened inner ring



| | | dimensions [mm] | | | | | | | | |
|----------------|-----------------|-----------------|-----|----------------|----|----|-----|----------------|----------------|----------------|
| shaft | bearing housing | H | J | N ₁ | N | I | L | A ₁ | H ₁ | H ₂ |
| d ₁ | code number | | | | | | | | | |
| 20 | TN 204 | 40 | 115 | 14 | 20 | 40 | 145 | 42 | 12 | 74 |
| | TN 304 | 40 | 120 | 14 | 20 | 44 | 150 | 42 | 12 | 77 |
| 25 | TN 205 | 40 | 120 | 14 | 20 | 44 | 150 | 42 | 12 | 77 |
| | TN 305 | 50 | 130 | 14 | 24 | 48 | 165 | 48 | 14 | 93 |
| 30 | TN 206 | 50 | 130 | 14 | 24 | 48 | 165 | 48 | 14 | 93 |
| | TN 306 | 50 | 145 | 14 | 24 | 52 | 180 | 48 | 14 | 98 |
| 35 | TN 207 | 50 | 145 | 14 | 24 | 52 | 180 | 48 | 14 | 98 |
| | TN 307 | 55 | 160 | 14 | 24 | 56 | 195 | 52 | 16 | 108 |
| 40 | TN 208 | 55 | 160 | 14 | 24 | 56 | 195 | 52 | 16 | 108 |
| | TN 308 | 60 | 175 | 14 | 24 | 58 | 210 | 56 | 16 | 120 |
| 45 | TN 209 | 60 | 175 | 14 | 24 | 58 | 210 | 56 | 16 | 116 |
| | TN 309 | 65 | 190 | 17 | 27 | 60 | 230 | 62 | 18 | 129 |
| 50 | TN 210 | 60 | 175 | 14 | 24 | 58 | 210 | 56 | 16 | 120 |
| | TN 310 | 70 | 205 | 17 | 27 | 62 | 245 | 66 | 18 | 140 |
| 55 | TN 211 | 65 | 190 | 17 | 27 | 60 | 230 | 62 | 18 | 129 |
| 60 | TN 212 | 70 | 205 | 17 | 27 | 62 | 245 | 66 | 18 | 140 |



| G | fastening and mounting | E | housing weight approx. kg | suitable bearing |
|-----|------------------------|------|---------------------------|------------------|
| M12 | | 6,5 | 1,1 | 11204 |
| M12 | | 8,5 | 1,1 | 11304 |
| M12 | | 8,5 | 1,1 | 11205 |
| M12 | | 10,0 | 1,8 | 11305 |
| M12 | | 10,0 | 1,7 | 11206 |
| M12 | | 8,0 | 1,9 | 11306 |
| M12 | | 8,0 | 1,8 | 11207 |
| M12 | | 8,5 | 2,4 | 11307 |
| M12 | | 8,5 | 2,4 | 11208 |
| M12 | | 6,0 | 3,0 | 11308 |
| M12 | | 7,5 | 2,7 | 11209 |
| M16 | | 8,0 | 4,1 | 11309 |
| M12 | | 6,0 | 3,0 | 11210 |
| M16 | | 10,0 | 4,6 | 11310 |
| M16 | | 8,0 | 3,9 | 11211 |
| M16 | | 10,0 | 4,6 | 11212 |