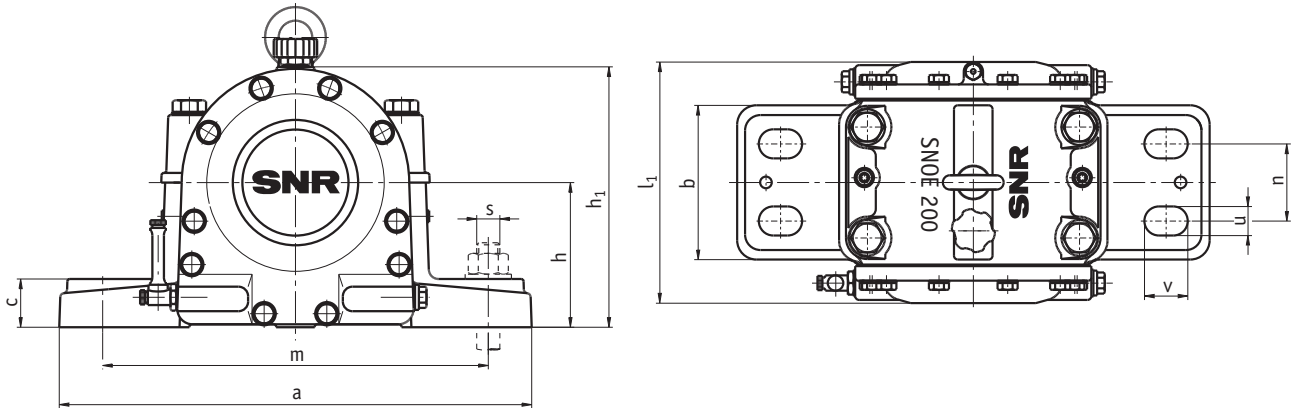


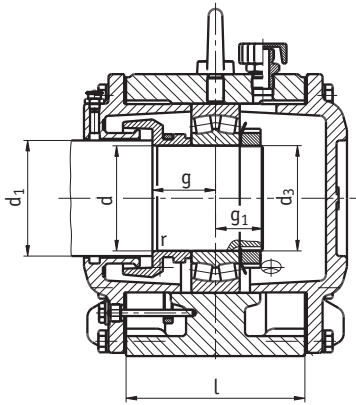
Plummer Block Housings SNOE 200

for bearings with cylindrical bore,
specified for oil lubrication

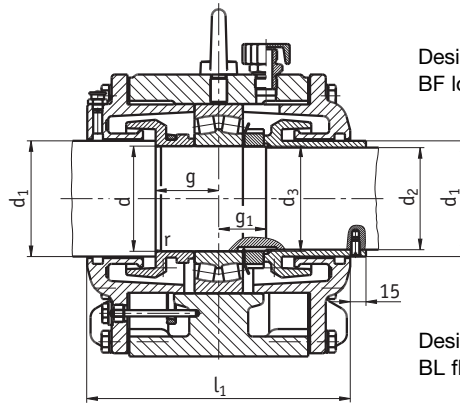


* = Radius of recess according to DIN 509 Form E

d	d ₁	d ₂	d ₃	a	b	c	g	g ₁	h	h ₁	l	l ₁	m	n	u	v	s	dimensions [mm]	
																		r*	max.
85	90	- 82	M85x2	410	150	48	62	37	135	240	160	225	340	80	25	35	M20	1,0	
90	95	- 87	M90x2	410	150	48	61	40	135	245	160	225	340	80	25	35	M20	1,0	
95	100	- 92	M95x2	490	160	50	67	42	150	270	170	250	400	80	30	45	M24	1,0	
100	110	- 97	M100x2	490	160	50	60	45	150	270	170	250	400	80	30	45	M24	2,5	
110	116	- 107	M110x2	510	165	50	70	49	165	300	175	250	420	80	30	45	M24	1,6	
120	126	- 117	M120x2	550	165	55	72	52	175	320	175	250	440	80	36	50	M30	1,6	
130	136	- 127	M130x2	570	175	65	77	56	190	345	185	260	460	90	36	50	M30	1,6	
140	150	- 137	M140x2	570	175	65	73	58	190	355	180	260	460	100	36	50	M30	2,5	
150	156	- 147	M150x2	660	190	70	82	64	220	395	200	275	530	100	42	60	M36	1,6	
160	170	- 155	M160x3	660	200	70	80	70	220	400	210	290	530	110	42	60	M36	2,5	
170	176	- 165	M170x3	710	200	85	90	73	260	460	210	300	580	110	42	60	M36	1,6	
180	190	- 175	M180x3	710	200	85	90	75	260	465	210	300	580	110	42	60	M36	2,5	
190	196	- 185	M190x3	820	240	90	95	81	270	485	250	350	670	130	48	70	M42	1,6	
200	210	- 195	M200x3	830	240	90	100	83	280	510	260	360	670	130	48	70	M42	2,5	
220	230	- 212	TR220x4	880	240	105	108	92	310	565	280	380	720	130	48	70	M42	2,5	
240	260	- 235	TR240x4	980	280	120	120	100	340	615	300	400	820	165	48	70	M42	4,0	



Design:
AF locating bearing



Design:
BF locating bearing

Design:
AL locating bearing

Design:
BL floating bearing

Axial displacement in case of floating bearing arrangement

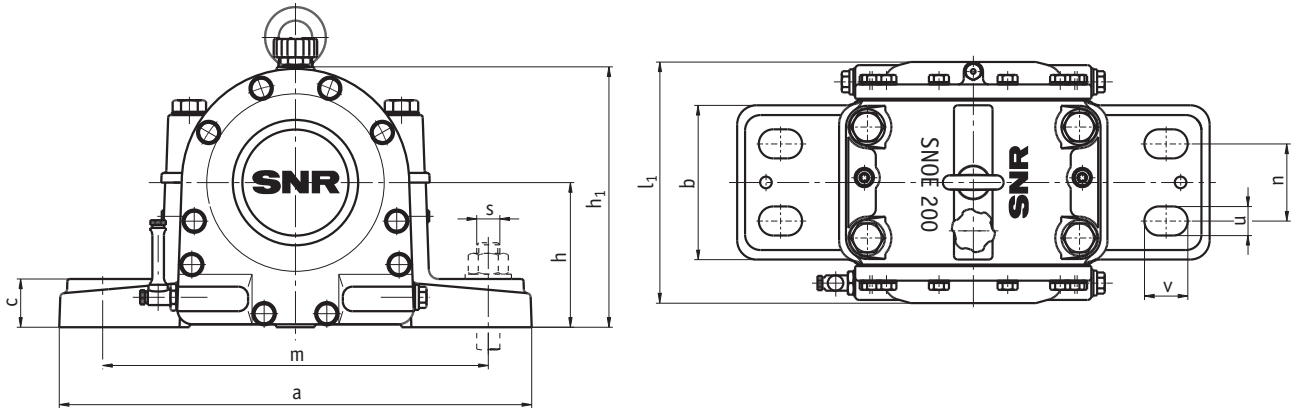
SNOE 214 ... 238	10 mm
SNOE 240 ... 248	15 mm

We will also be glad to supply you with SNOE plummer block housings as complete unit with shaft. Provided that you notify us of the dimensions of your mating structure. Example, see page 58.

code number		bearing	mounting parts		oil level [mm]	oil quantity for initial fill approx. l	housing weight approx. kg
locating bearing	floating bearing		lock nut	lock washer			
SNOE 217 AF	SNOE 217 AL	22217	KM 17	MB 17	50-65	1,4	45
SNOE 217 BF	SNOE 217 BL						
SNOE 218 AF	SNOE 218 AL	22218	KM 18	MB 18	45-60	1,5	47
SNOE 218 BF	SNOE 218 BL						
SNOE 219 AF	SNOE 219 AL	22219	KM 19	MB 19	55-70	1,6	60
SNOE 219 BF	SNOE 219 BL						
SNOE 220 AF	SNOE 220 AL	22220	KM 20	MB 20	50-65	1,7	67
SNOE 220 BF	SNOE 220 BL						
SNOE 222 AF	SNOE 222 AL	22222	KM 22	MB 22	50-70	2,1	74
SNOE 222 BF	SNOE 222 BL						
SNOE 224 AF	SNOE 224 AL	22224	KM 24	MB 24	50-70	2,3	80
SNOE 224 BF	SNOE 224 BL						
SNOE 226 AF	SNOE 226 AL	22226	KM 26	MB 26	55-75	2,3	93
SNOE 226 BF	SNOE 226 BL						
SNOE 228 AF	SNOE 228 AL	22228	KM 28	MB 28	55-70	3,7	100
SNOE 228 BF	SNOE 228 BL						
SNOE 230 AF	SNOE 230 AL	22230	KM 30	MB 30	65-90	4,2	125
SNOE 230 BF	SNOE 230 BL						
SNOE 232 AF	SNOE 232 AL	22232	KM 32	MB 32	60-80	4,7	136
SNOE 232 BF	SNOE 232 BL						
SNOE 234 AF	SNOE 234 AL	22234	KM 34	MB 34	90-105	6,0	160
SNOE 234 BF	SNOE 234 BL						
SNOE 236 AF	SNOE 236 AL	22236	KM 36	MB 36	75-110	6,0	200
SNOE 236 BF	SNOE 236 BL						
SNOE 238 AF	SNOE 238 AL	22238	KM 38	MB 38	70-100	7,2	230
SNOE 238 BF	SNOE 238 BL						
SNOE 240 AF	SNOE 240 AL	22240	KM 40	MB 40	75-100	7,2	250
SNOE 240 BF	SNOE 240 BL						
SNOE 244 AF	SNOE 244 AL	22244	HM 44 T	MB 44	80-110	8,2	310
SNOE 244 BF	SNOE 244 BL						
SNOE 248 AF	SNOE 248 AL	22248	HM 48 T	MB 48	100-125	8,4	385
SNOE 248 BF	SNOE 248 BL						

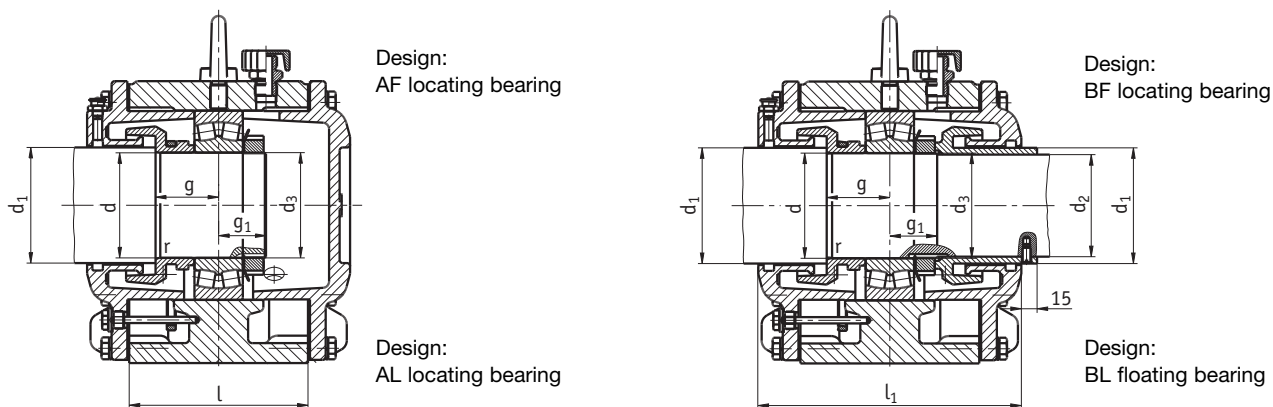
Plummer Block Housings SNOE 300

for bearings with cylindrical bore,
specified for oil lubrication



* = Radius of recess according to DIN 509 Form E

d	dimensions [mm]																	
	d ₁	d ₂	d ₃	a	b	c	g	g ₁	h	h ₁	l	l ₁	m	n	u	v	s	r* max.
50	55	-	M50x1,5	350	125	40	52	33	115	205	135	210	290	75	20	30	M16	1,0
	47							-										
60	65	-	M60x2	370	130	45	55	37	125	220	140	220	310	80	20	30	M16	1,0
	57							-										
70	75	-	M70x2	410	150	48	62	41	135	240	160	225	340	80	25	35	M20	1,0
	67																	
80	85	-	M80x2	490	160	50	70	47	150	270	170	235	400	80	30	45	M24	1,0
	77							-										
90	95	-	M90x2	500	165	55	72	51	175	305	175	250	420	80	30	45	M24	1,0
	87							-										
100	106	-	M100x2	550	165	55	72	58	175	320	175	250	440	80	36	50	M30	1,6
	97							-										
110	120	-	M110x2	570	180	65	77	62	180	335	190	270	460	95	36	50	M30	2,5
	107							-										
120	126	-	M120x2	660	200	75	90	66	220	390	210	300	530	110	42	60	M36	1,6
	117							-										
130	140	-	M130x2	660	200	80	86	72	235	420	220	315	530	110	42	60	M36	2,5
	127							-										
140	146	-	M140x2	710	220	85	95	76	260	450	230	325	580	125	42	60	M36	1,6
	137							-										
150	160	-	M150x2	760	200	85	95	82	265	465	240	335	630	125	42	60	M36	2,5
	147							-										
160	166	-	M160x3	820	240	90	100	86	270	485	250	350	670	130	48	70	M42	1,6
	155							-										
170	180	-	M170x3	830	240	90	105	92	280	510	255	350	670	130	48	70	M42	2,5
	165							-										
180	190	-	M180x3	840	240	90	108	95	290	530	260	360	680	130	48	70	M42	2,5
	175							-										



Axial displacement in case of floating bearing arrangement

SNOE 310 ... 332	10 mm
SNOE 334 ... 336	15 mm

We will also be glad to supply you with SNOE plummer block housings as complete unit with shaft. Provided that you notify us of the dimensions of your mating structure. Example, see page 58.

code number		bearing	mounting parts		oil level [mm]	oil quantity for initial fill approx. l	housing weight approx. kg
locating bearing	floating bearing		lock nut	lock washer			
SNOE 310 AF	SNOE 310 AL	22310	KM 10	MB 10	50-65	0,9	30
SNOE 310 BF	SNOE 310 BL						
SNOE 312 AF	SNOE 312 AL	22312	KM 12	MB 12	50-65	1,0	35
SNOE 312 BF	SNOE 312 BL						
SNOE 314 AF	SNOE 314 AL	22314	KM 14	MB 14	50-65	1,4	45
SNOE 314 BF	SNOE 314 BL						
SNOE 316 AF	SNOE 316 AL	22316	KM 16	MB 16	55-70	1,6	60
SNOE 316 BF	SNOE 316 BL						
SNOE 318 AF	SNOE 318 AL	22318	KM 18	MB 18	65-85	2,3	73
SNOE 318 BF	SNOE 318 BL						
SNOE 320 AF	SNOE 320 AL	22320	KM 20	MB 20	55-75	2,4	81
SNOE 320 BF	SNOE 320 BL						
SNOE 322 AF	SNOE 322 AL	22322	KM 22	MB 22	45-65	2,4	100
SNOE 322 BF	SNOE 322 BL						
SNOE 324 AF	SNOE 324 AL	22324	KM 24	MB 24	65-90	3,7	130
SNOE 324 BF	SNOE 324 BL						
SNOE 326 AF	SNOE 326 AL	22326	KM 26	MB 26	75-105	4,2	142
SNOE 326 BF	SNOE 326 BL						
SNOE 328 AF	SNOE 328 AL	22328	KM 28	MB 28	80-110	6,7	170
SNOE 328 BF	SNOE 328 BL						
SNOE 330 AF	SNOE 330 AL	22330	KM 30	MB 30	75-110	6,2	200
SNOE 330 BF	SNOE 330 BL						
SNOE 332 AF	SNOE 332 AL	22332	KM 32	MB 32	80-105	7,0	240
SNOE 332 BF	SNOE 332 BL						
SNOE 334 AF	SNOE 334 AL	22334	KM 34	MB 34	80-105	7,2	270
SNOE 334 BF	SNOE 334 BL						
SNOE 336 AF	SNOE 336 AL	22336	KM 36	MB 36	80-105	7,4	330
SNOE 336 BF	SNOE 336 BL						