

SN 36

Description

Product group	Rod seal
Design	N symmetrical u-ring
Profile no.	36
Specification	E suitable for one- side pressure load
Seal material	TPU 95 3401

Operational application limits

Pressure (MPa):	≤40
Temperature (°C):	-40 to +100
Running speed (m/s):	≤0.5

Media

Hydraulic oils acc. to DIN 51524
Part 1 – 3, lubricating oils, mineral oil
based lubricating greases, highly non-
flammable hydraulic fluids HFA, HFB,
HFC acc. to VDMA 24317

Function

The SN 36 u-ring is produced in a
compact design which guarantees
good functioning at low pressures and
guarantees a particularly long service
life. The SN 36 has a symmetrical
design that allows application as a
piston and rod seal. Seals made of TPU
are very robust and are particularly
suitable for application in mobile
hydraulics, especially in the earth
moving machine area.

Installation

U-rings can be installed in both solid
and split housings. Please note that for
a solid housing application a minimum
width is necessary and suitable
installation tools may be required
(please see installation section on
page 9).

Remarks

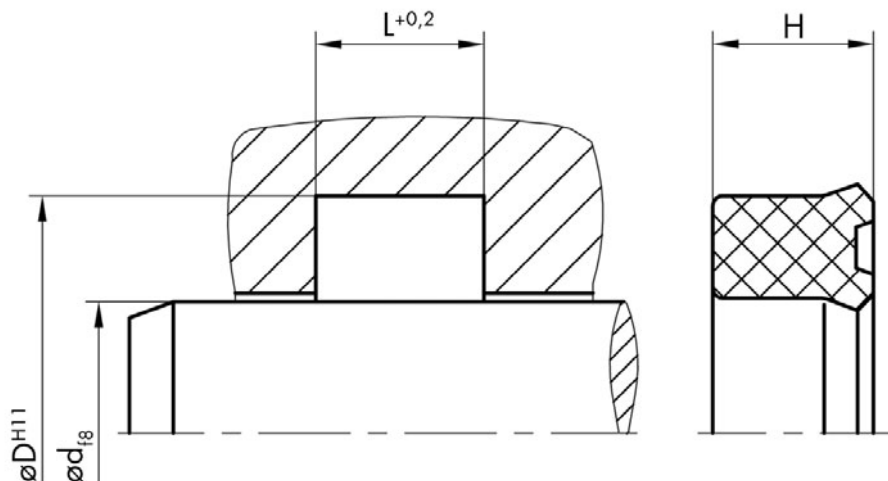
The SN 36 seal is also designed for
installation housing conforming to
ISO 5597. It is primarily used in
ground conveyors, agricultural and
injection moulding machines as well as
in cylinders for mobile hydraulic
platforms and steering cylinders. For
extreme applications, this seal design
can also be provided with a second
seal lip or an integrated back-up ring.

Order code

Please include our item numbers in
your order. Should you require non-
standard dimensions, materials or
material combinations, please use the
order code on page 12.

Any seal. Any time.

All the items in our standard programme
(marked red) are standard stock items.
For all other items, please check the
availability at www.dichtomatik.de.



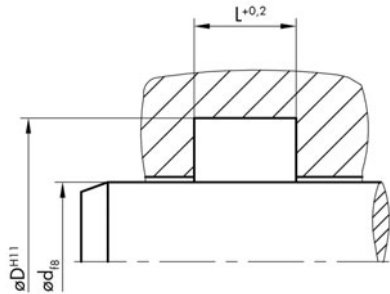
SN 36

Sizes

Item No.	Code	d	D	L	H
125300	SN 36 E	6	14	6.3	5.7
125301	SN 36 E	8	16	6.3	5.7
79839	SN 36 E	8	18	8.5	8
125303	SN 36 E	10	18	6.3	5.7
80611	SN 36 E	10	18	6.3	5.5
65475	SN 36 E	12	18	5	4.5
80613	SN 36 E	12	20	6.3	5.5
168310	SN 36 E	12	20	6.3	5.8
125307	SN 36 E	14	21	5.6	5
80614	SN 36 E	14	22	6.3	5.5
168336	SN 36 E	16	22	4.5	4
168324	SN 36 E	16	22.7	5	4
22438	SN 36 E	16	24	7	6
168341	SN 36 E	18	25	5.7	5.1
22439	SN 36 E	18	26	7	6
168357	SN 36 E	18	28	6.3	5.8
168359	SN 36 E	18	28	8	7
24306	SN 36 E	20	25	3.5	3
65482	SN 36 E	20	25	4	3.7
168345	SN 36 E	20	25	4.5	4
80615	SN 36 E	20	26	5.8	5
168351	SN 36 E	20	26	6	5.5
168353	SN 36 E	20	27	6.5	5.7
22442	SN 36 E	20	28	6.3	5.8
80616	SN 36 E	20	28	7	6
173334	SN 36 E	20	28	8	7
168369	SN 36 E	20	30	8	7.2
168371	SN 36 E	20	30	9	8
168373	SN 36 E	20	30	11	10
168355	SN 36 E	21	27	5	4
65485	SN 36 E	22	28	5.3	4.5
168365	SN 36 E	22	28	5.5	5
168367	SN 36 E	22	29	5.6	5
22444	SN 36 E	22	30	7	6
22445	SN 36 E	22	30	8	7
22446	SN 36 E	22	32	8	7
22447	SN 36 E	22	32	9	8
80619	SN 36 E	24	30	9	8
80620	SN 36 E	24	32	7	6
168389	SN 36 E	24	34	6.5	6
168384	SN 36 E	25	32	5	4
22448	SN 36 E	25	33	6.3	5.8
80621	SN 36 E	25	33	7	6
22449	SN 36 E	25	33	9	8
168391	SN 36 E	25	35	6	5
168393	SN 36 E	25	35	8	7
168395	SN 36 E	25	35	9	8
168397	SN 36 E	25	35	10	9
168399	SN 36 E	25	35	11	10
168401	SN 36 E	25	36	6	5
168405	SN 36 E	25	38	11	10
168347	SN 36 E	25.4	38.1	7.14	6.35
22453	SN 36 E	28	36	6.3	5.8
22454	SN 36 E	28	36	9	8
168407	SN 36 E	28	38	8	7

SN 36

Sizes



Item No.	Code	d	D	L	H
168409	SN 36 E	30	38	6.3	5.8
22457	SN 36 E	30	38	9	8
22458	SN 36 E	30	40	8	7
168414	SN 36 E	30	40	11	10
168378	SN 36 E	31.75	44.45	7.14	6.35
168416	SN 36 E	32	40	6.3	5.8
80624	SN 36 E	32	40	7	6
22461	SN 36 E	32	40	9	8
168421	SN 36 E	32	42	8	7
24314	SN 36 E	32	42	9	8
168424	SN 36 E	32	42	11	10
22463	SN 36 E	35	43	7	6
168427	SN 36 E	35	43	9	8
22465	SN 36 E	35	45	8	7
168432	SN 36 E	35	45	11	10
22467	SN 36 E	36	44	7	6
22468	SN 36 E	36	44	9	8
168440	SN 36 E	36	46	8	7
168442	SN 36 E	36	46	11	10
37419	SN 36 E	38	45	7	6
22471	SN 36 E	40	48	6.3	5.8
79848	SN 36 E	40	48	7	6
22472	SN 36 E	40	48	9	8
168447	SN 36 E	40	50	7	6
168449	SN 36 E	40	50	8	7
22474	SN 36 E	40	50	11	10
79852	SN 36 E	42	50	7	6
168455	SN 36 E	42	53	10	9
168457	SN 36 E	45	53	7	6
22476	SN 36 E	45	53	9	8
168460	SN 36 E	45	53	11	10
22478	SN 36 E	45	55	8	7
168465	SN 36 E	45	55	11	10
72974	SN 36 E	45	55	12	11
168462	SN 36 E	46	54	9	8
22480	SN 36 E	50	58	9	8
22481	SN 36 E	50	60	8	7
79857	SN 36 E	50	60	8.5	7.5
22482	SN 36 E	50	60	11	10
168475	SN 36 E	50	62	9	8
168477	SN 36 E	50	62	11	10
168481	SN 36 E	50	65	11	10
22483	SN 36 E	55	63	9	8
168483	SN 36 E	55	65	8	7.2
79860	SN 36 E	55	65	8.5	7.5
22485	SN 36 E	55	65	11	10
168487	SN 36 E	55	65	13	12
168467	SN 36 E	55	68	12	11
6426	SN 36 E	56	66	7.5	6.5
168491	SN 36 E	56	66	11	10
125315	SN 36 E	56	71	9.5	8.5
168469	SN 36 E	57.15	69.85	10.31	9.52
159673	SN 36 E	60	68	7	6
22486	SN 36 E	60	68	9	8
65492	SN 36 E	60	68	14	13

SN 36

Sizes

Item No.	Code	d	D	L	H
22487	SN 36 E	60	70	8	7.2
79863	SN 36 E	60	70	8	7
115701	SN 36 E	60	70	8.5	7.5
168507	SN 36 E	60	70	11	10
168509	SN 36 E	60	70	13	12
22490	SN 36 E	60	72	10	9
168498	SN 36 E	61	69	9	8
22491	SN 36 E	63	71	9	8
117063	SN 36 E	63	75	9.5	8.5
24320	SN 36 E	63	75	11	10
79868	SN 36 E	65	73	9	8
22492	SN 36 E	65	75	13	12
115702	SN 36 E	65	77	10	9
79870	SN 36 E	65	80	12.5	11.5
168528	SN 36 E	66	80	11	10.5
168496	SN 36 E	68	76	9	8
79871	SN 36 E	70	78	9	8
168511	SN 36 E	70	80	7.5	6.5
168530	SN 36 E	70	80	8	7
168532	SN 36 E	70	80	11	10
168534	SN 36 E	70	80	13	12
22496	SN 36 E	70	82	10	9
80635	SN 36 E	71	79	9	8
168523	SN 36 E	72	78	7	6.5
168539	SN 36 E	75	85	8	7.2
168541	SN 36 E	75	85	13	12
168537	SN 36 E	76	84	9	8
168544	SN 36 E	78	86	14	13
168557	SN 36 E	78	93	11.5	10.5
168526	SN 36 E	79.37	95.25	12.7	11.11
74649	SN 36 E	79.75	85.99	7.5	6.5
168546	SN 36 E	80	90	8	7.2
168549	SN 36 E	80	90	13	12
168553	SN 36 E	80	90	15	14
168561	SN 36 E	85	95	8	7
171186	SN 36 E	85	97	9.5	9
168563	SN 36 E	88	96	9	8
77610	SN 36 E	90	98	9	8
168572	SN 36 E	90	100	7.5	6.5
168570	SN 36 E	91	99	9	8
168559	SN 36 E	94	102	14	13
168578	SN 36 E	95	112	12.5	11.5
66742	SN 36 E	97	105	14	13
77611	SN 36 E	100	108	9	8
168580	SN 36 E	107	115	9	8
70890	SN 36 E	110	118	14	13
66744	SN 36 E	118	126	14	13
168585	SN 36 E	120	135	16	15
80655	SN 36 E	125	133	7.5	6.5
168583	SN 36 E	126	134	9	8
168587	SN 36 E	140	155.5	6.7	5.8
61441	SN 36 E	143	151	14	13
168590	SN 36 E	145	153	9	8
172527	SN 36 E	150	160	13.5	12.5
172526	SN 36 E	180	190	13.5	12.5
61988	SN 36 E	230	239.2	8	7