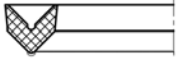


+



SDS 01 1/0

Description

Product group	Rod seal
Design	DS V-packing set
Profile no.	01
Specification	E suitable for one-sided pressure load
Model	1/0 combination of fabric and elastomer ring
Seal material	NBR fabric NBR F 90 3005
Support ring	NBR fabric
Pressure ring	NBR fabric

Operational application limits

Pressure (MPa):	≤40
Temperature (°C):	-30 to +100
Running speed (m/s):	≤0.5

Media

Hydraulic oils acc. to DIN 51524 Part 1 – 3, lubricating oils, mineral oil based lubricating greases, highly non-flammable hydraulic fluids HFA, HFB, HFC acc. to VDMA 24317

Function

The SDS 01 1/0 V-packing set is a sealing system with one fabric sealing ring. This combination is rarely used as a rod seal but provides the basis for the combination of individual set lengths. The V-packings are, due to their geometrical composition, always used in conjunction with the support ring and pressure ring. V-packing sets are used in extreme application areas.

Installation

V-packing sets are always installed in axially accessible installation housings. The rings are installed individually. The V-packing set must not be compressed i.e. the L dimension and the H dimension should always be the same.

Remarks

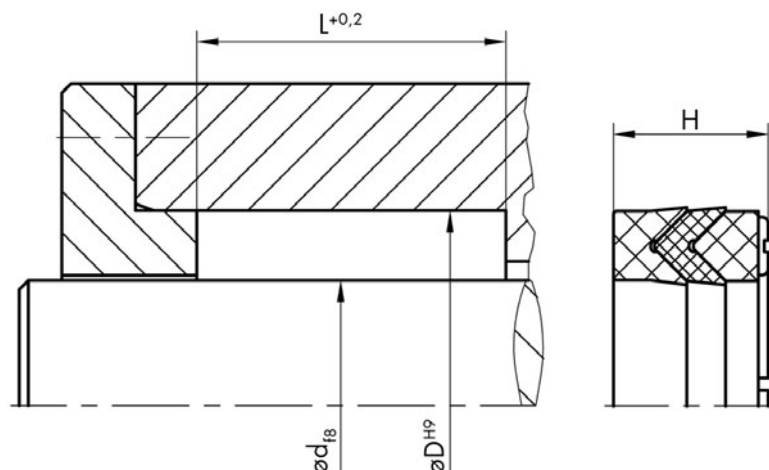
In the "Combination Table" on page 186, you will find the stacked heights of all reasonable combinations. Please note that elastomer V-packings must always be installed between two fabric V-packings, as an elastomer V-packing should never touch a support ring or a pressure ring. Depending on the installation length available, the SDS 01 1/0 V-packing set can be supplemented by any number of individual V-pack rings. You will find these items in chapter SDR 01 (page 182).

Order code

Please include our item numbers in your order. Should you require non-standard dimensions, materials or material combinations, please use the order code on page 12.

Any seal. Any time.

All the items in our standard programme (marked red) are standard stock items. For all other items, please check the availability at www.dichtomatik.de.



SDS 01 1/0

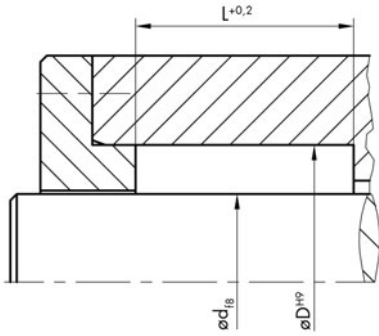
Item No.	Code	d	D	H = L
173526	SDS 01 E 1/0	8	18	9.1
173527	SDS 01 E 1/0	10	20	9.1
173528	SDS 01 E 1/0	12	22	9.1
173529	SDS 01 E 1/0	14	24	9.5
173530	SDS 01 E 1/0	15	25	9.1
173531	SDS 01 E 1/0	16	26	9.1
173532	SDS 01 E 1/0	18	28	9.3
173533	SDS 01 E 1/0	20	30	9.5
173534	SDS 01 E 1/0	20	32	11.7
173535	SDS 01 E 1/0	22	32	9.5
173536	SDS 01 E 1/0	22	34	11.7
173537	SDS 01 E 1/0	25	37	11.7
173538	SDS 01 E 1/0	25	40	11.7
173539	SDS 01 E 1/0	28	40	11.7
173540	SDS 01 E 1/0	28	43	11.7
173541	SDS 01 E 1/0	30	42	11.7
173542	SDS 01 E 1/0	30	45	11.7
173543	SDS 01 E 1/0	32	44	11.7
173544	SDS 01 E 1/0	32	47	11.7
173545	SDS 01 E 1/0	35	47	11.7
173546	SDS 01 E 1/0	35	50	11.7
173547	SDS 01 E 1/0	36	48	11.7
173548	SDS 01 E 1/0	36	51	11.7
173549	SDS 01 E 1/0	40	52	11.7
173550	SDS 01 E 1/0	40	55	11.3
173551	SDS 01 E 1/0	42	54	11.7
173552	SDS 01 E 1/0	42	57	11.7
173553	SDS 01 E 1/0	45	60	11.7
173554	SDS 01 E 1/0	45	65	11.7
173555	SDS 01 E 1/0	50	65	11.9
173556	SDS 01 E 1/0	50	70	15
173557	SDS 01 E 1/0	55	70	11.7
173558	SDS 01 E 1/0	55	75	15
173559	SDS 01 E 1/0	56	71	11.7
173560	SDS 01 E 1/0	56	76	18.4
173561	SDS 01 E 1/0	60	75	11.7
173562	SDS 01 E 1/0	60	80	18.4
173563	SDS 01 E 1/0	63	78	11.7
173564	SDS 01 E 1/0	63	83	18.4
173565	SDS 01 E 1/0	65	80	11.7
173566	SDS 01 E 1/0	65	85	19.4
173567	SDS 01 E 1/0	70	85	11.7
173568	SDS 01 E 1/0	70	90	18.8
173569	SDS 01 E 1/0	75	90	12.3
173570	SDS 01 E 1/0	75	95	19.6
173571	SDS 01 E 1/0	80	95	11.7
173572	SDS 01 E 1/0	80	100	20
173573	SDS 01 E 1/0	85	100	11.7
173574	SDS 01 E 1/0	85	105	20
173575	SDS 01 E 1/0	90	105	11.9
173576	SDS 01 E 1/0	90	110	20.3
173577	SDS 01 E 1/0	100	115	15
173578	SDS 01 E 1/0	100	120	18.8
173579	SDS 01 E 1/0	110	125	15.4
173580	SDS 01 E 1/0	110	130	18.4

Sizes

SDS 01 1/0

Item No. Code d D H = L

Sizes



173581	SDS 01 E 1/0	115	130	15.4
173582	SDS 01 E 1/0	115	140	23.5
173583	SDS 01 E 1/0	125	140	16.4
173584	SDS 01 E 1/0	125	150	23.6
173585	SDS 01 E 1/0	140	155	17.6
173586	SDS 01 E 1/0	140	165	23
173587	SDS 01 E 1/0	150	170	19.6
173588	SDS 01 E 1/0	150	180	29.4
173589	SDS 01 E 1/0	160	180	19.4
173590	SDS 01 E 1/0	160	190	28.5
173591	SDS 01 E 1/0	180	200	19.4
173592	SDS 01 E 1/0	180	210	28.5
173593	SDS 01 E 1/0	200	220	19.6
173594	SDS 01 E 1/0	200	230	28.5