

SDS 01 3/2

Description

Product group	Rod seal
Design	DS V-packing set
Profile no.	01
Specification	E suitable for one-sided pressure load
Model	3/2 combination of fabric and elastomer ring
Seal material	NBR fabric NBR F 90 3005/ NBR 90 3006
Support ring	NBR fabric
Pressure ring	NBR fabric

Operational application limits

Pressure (MPa):	≤ 40
Temperature (°C):	-30 to +100
Running speed (m/s):	≤ 0.5

Media

Hydraulic oils acc. to DIN 51524
Part 1 – 3, lubricating oils, mineral oil based lubricating greases, highly non-flammable hydraulic fluids HFA, HFB, HFC acc. to VDMA 24317

Function

The V-packing set SDS 01 3/2 is a sealing system with 3 fabric and 2 elastomer sealing rings. This combination guarantees minimal leakage. The V-packings are, due to their geometrical composition, always used in conjunction with the support ring and pressure ring. V-packing sets are used in extreme application areas.

Installation

V-packing sets are always installed in axially accessible installation housings. The rings are installed individually. The V-packing set must not be compressed, i.e. the L dimension and H dimension should always be the same.

Remarks

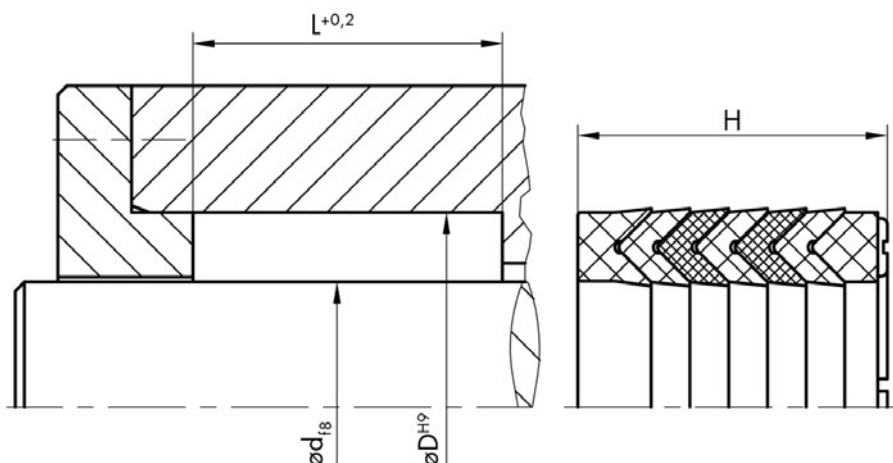
In practice the combination 3/2 has proven itself. Please note that the elastomer sealing rings must always be chambered between fabric sealing rings. **Other combinations can also be used depending on the installation width available. Please consult chapter SDS 01 (page 186) for the possibilities available in order to put together your individual sets.** For special applications, V-packings made from FKM are also available.

Order code

Please include our item numbers in your order. Should you require non-standard dimensions, materials or material combinations, please use the order code on page 12.

Any seal. Any time.

All the items in our standard programme (marked red) are standard stock items. For all other items, please check the availability at www.dichtomatik.de.



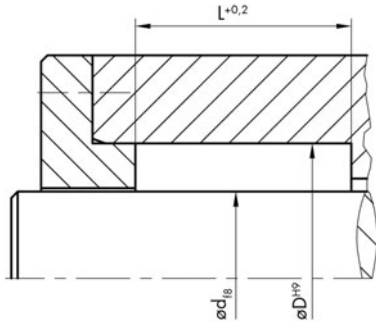
SDS 01 3/2

Sizes

Item No.	Code	d	D	H = L
171411	SDS 01 E 3/2	8	18	18.5
171412	SDS 01 E 3/2	10	20	18.5
70560	SDS 01 E 3/2	12	22	18.5
70561	SDS 01 E 3/2	14	24	18.5
70562	SDS 01 E 3/2	15	25	18.5
56666	SDS 01 E 3/2	16	26	18.5
70563	SDS 01 E 3/2	18	28	18.5
180	SDS 01 E 3/2	20	30	18.5
236	SDS 01 E 3/2	20	32	22.5
70566	SDS 01 E 3/2	22	32	18.5
77182	SDS 01 E 3/2	22	34	22.5
181	SDS 01 E 3/2	25	37	22.5
237	SDS 01 E 3/2	25	40	22.5
182	SDS 01 E 3/2	28	40	22.5
70568	SDS 01 E 3/2	28	43	22.5
183	SDS 01 E 3/2	30	42	22.5
238	SDS 01 E 3/2	30	45	22.5
184	SDS 01 E 3/2	32	44	22.5
59364	SDS 01 E 3/2	32	47	22.5
185	SDS 01 E 3/2	35	47	22.5
239	SDS 01 E 3/2	35	50	22.5
186	SDS 01 E 3/2	36	48	22.5
56017	SDS 01 E 3/2	36	51	22.5
187	SDS 01 E 3/2	40	52	22.5
240	SDS 01 E 3/2	40	55	22.5
188	SDS 01 E 3/2	42	54	22.5
77183	SDS 01 E 3/2	42	57	22.5
189	SDS 01 E 3/2	45	60	22.5
123096	SDS 01 E 3/2	45	65	22.5
190	SDS 01 E 3/2	50	65	22.5
242	SDS 01 E 3/2	50	70	30
191	SDS 01 E 3/2	55	70	22.5
243	SDS 01 E 3/2	55	75	30
192	SDS 01 E 3/2	56	71	22.5
70715	SDS 01 E 3/2	56	76	37
193	SDS 01 E 3/2	60	75	22.5
244	SDS 01 E 3/2	60	80	37
72097	SDS 01 E 3/2	63	78	22.5
70580	SDS 01 E 3/2	63	83	37
194	SDS 01 E 3/2	65	80	22.5
245	SDS 01 E 3/2	65	85	40
195	SDS 01 E 3/2	70	85	22.5
246	SDS 01 E 3/2	70	90	40
196	SDS 01 E 3/2	75	90	22.5
247	SDS 01 E 3/2	75	95	40
197	SDS 01 E 3/2	80	95	22.5
248	SDS 01 E 3/2	80	100	40
203	SDS 01 E 3/2	85	100	22.5
72575	SDS 01 E 3/2	85	105	40
198	SDS 01 E 3/2	90	105	22.5
249	SDS 01 E 3/2	90	110	40
199	SDS 01 E 3/2	100	115	30
250	SDS 01 E 3/2	100	120	40
171416	SDS 01 E 3/2	105	125	40
171417	SDS 01 E 3/2	105	130	40

SDS 01 3/2

Item No.	Code	d	D	H = L
----------	------	---	---	-------

Sizes

200	SDS 01 E 3/2	110	125	30
251	SDS 01 E 3/2	110	130	40
70589	SDS 01 E 3/2	115	130	30
252	SDS 01 E 3/2	115	140	46
201	SDS 01 E 3/2	125	140	34
253	SDS 01 E 3/2	125	150	46
171420	SDS 01 E 3/2	135	160	40
202	SDS 01 E 3/2	140	155	34
254	SDS 01 E 3/2	140	165	46
204	SDS 01 E 3/2	150	170	40
255	SDS 01 E 3/2	150	180	60
205	SDS 01 E 3/2	160	180	40
256	SDS 01 E 3/2	160	190	60
206	SDS 01 E 3/2	180	200	40
77184	SDS 01 E 3/2	180	210	60
207	SDS 01 E 3/2	200	220	40
77185	SDS 01 E 3/2	200	230	60