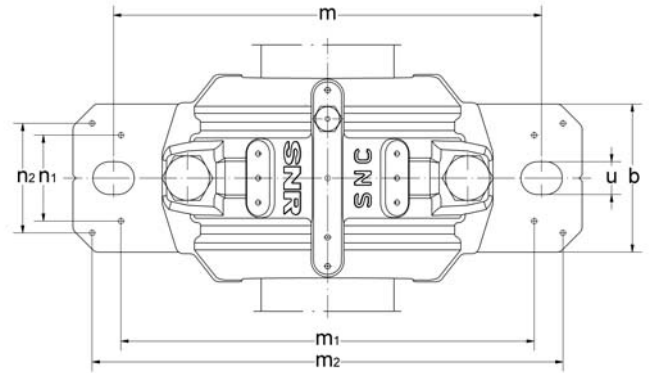
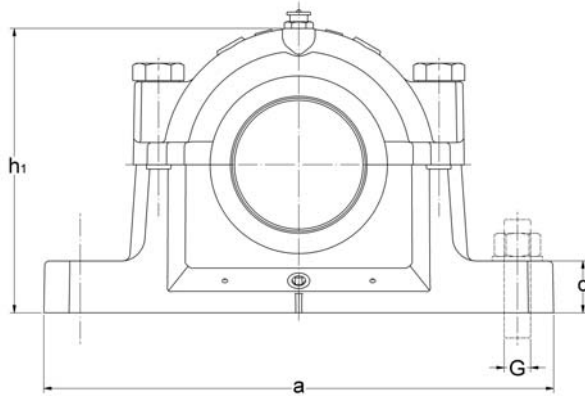


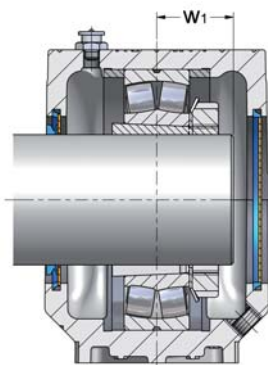


Pillow block housing for bearings with adapter sleeve mounting

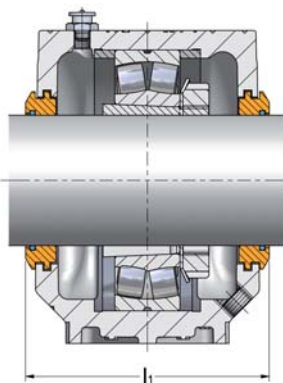


| d | Typ | D | Housing dimensions | | | | | | | | | | | Weight | | | | | |
|----|--------|----|--------------------|----|----|----|----|----|-----|-----|----|----|----------------|----------------|----------------|----------------|----------------|-------------------------------------|------|
| | | | a | b | c | g | h | l | m | G | u | v | h ₁ | m ₁ | n ₂ | m ₂ | n ₁ | n ₃ approx ¹⁾ | [kg] |
| 20 | SNC505 | 52 | 165 | 46 | 19 | 25 | 40 | 67 | 130 | M12 | 15 | 20 | 74 | 116 | 32 | 152 | 28 | 36 | 1,6 |
| | SNC605 | 62 | 185 | 52 | 22 | 32 | 50 | 77 | 150 | M12 | 15 | 20 | 89 | 130 | 38 | 172 | 25 | 44 | 2,3 |
| 25 | SNC506 | 62 | 185 | 52 | 22 | 32 | 50 | 77 | 150 | M12 | 15 | 20 | 89 | 130 | 38 | 172 | 25 | 44 | 2,3 |
| | SNC606 | 72 | 185 | 52 | 22 | 34 | 50 | 82 | 150 | M12 | 15 | 20 | 93 | 135 | 38 | 172 | 25 | 46 | 2,4 |
| 30 | SNC507 | 72 | 185 | 52 | 22 | 34 | 50 | 82 | 150 | M12 | 15 | 20 | 93 | 135 | 38 | 172 | 25 | 46 | 2,4 |
| | SNC607 | 80 | 205 | 60 | 25 | 39 | 60 | 85 | 170 | M12 | 15 | 20 | 107 | 160 | 44 | 188 | 34 | 50 | 3,2 |

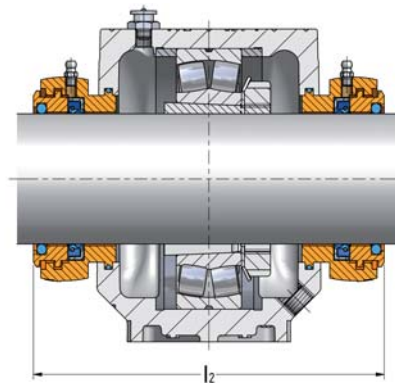
¹⁾ Housing body



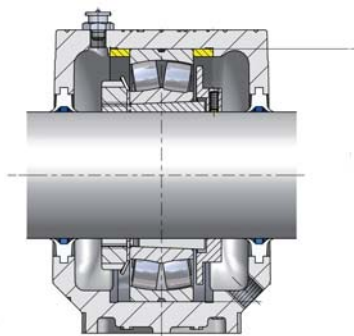
V-ring seal
SC..SV + Cover
SC..EC



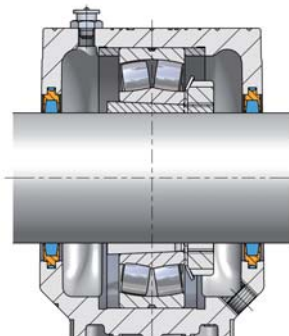
Labyrinth seal
SC..LA



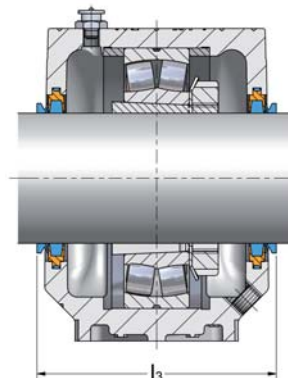
Taconite seal
SC..TA



Double lip seal
SC..DS + Regulation disc
RDC



Felt strip seal
SC..FS



Felt strip seal
SC..FS + V-Ring
V..A

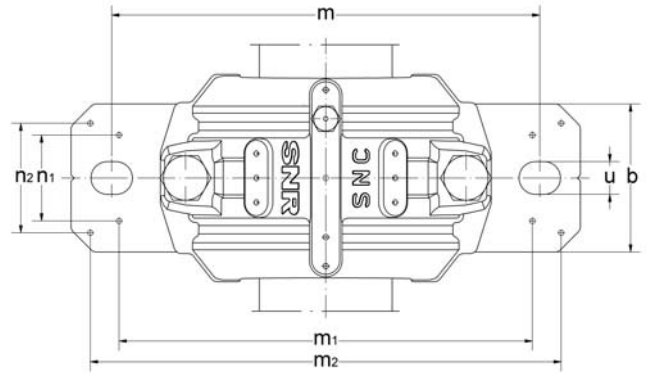
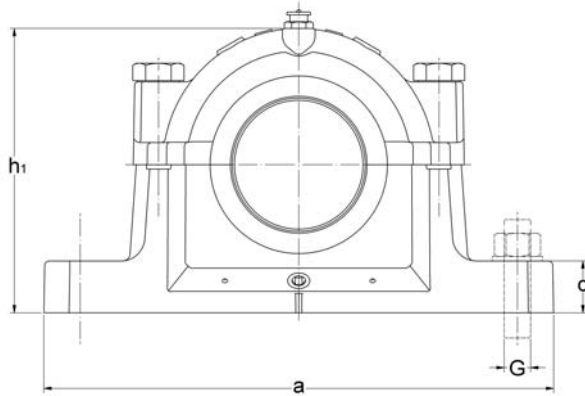
| Housing | Seal ²⁾ | V-Ring ³⁾ | Cover | w ₁ | l ₁ [mm] | l ₂ | l ₃ | Regulation disc | Rolling bearing | Adapter sleeve | Locating ring x2 per housing |
|------------|--------------------|----------------------|-------------|----------------|------------------------|----------------|----------------|-----------------|-----------------|----------------|------------------------------------|
| SNC505 | SC505DS | V20A | SC505EC | 18,0 | 79 | 134 | 85 | RDC505 | 1205K | H205 | FR52x5 |
| | SC505FS | | | 19,5 | | | | | 2205K | H305 | FR52x3,5 |
| | SC505SV | | | 19,5 | | | | | 22205K | H305 | FR52x3,5 |
| | SC505LA | | | | | | | | | | |
| | SC505TA | | | | | | | | | | |
| SNC506-605 | SC605DS | V20A | SC506-605EC | 19,0 | 89 | 144 | 95 | RDC605 | 1305K | H305 | FR62x7,5 |
| | SC605FS | | | 22,5 | | | | | 2305K | H2305 | FR62x4 |
| | SC605SV | | | 19,0 | | | | | 21305K | H305 | FR62x7,5 |
| | SC605LA | | | | | | | | | | |
| | SC605TA | | | | | | | | | | |
| SNC506-605 | SC506DS | V25A | SC506-605EC | 18,5 | 89 | 144 | 95 | RDC506 | 1206K | H206 | FR62x8 |
| | SC506FS | | | 20,5 | | | | | 2206K | H306 | FR62x6 |
| | SC506SV | | | 20,5 | | | | | 22206K | H306 | FR62x6 |
| | SC506LA | | | | | | | | | | |
| | SC506TA | | | | | | | | | | |
| SNC507-606 | SC606DS | V25A | SC507-606EC | 20,0 | 94 | 148 | 100 | RDC606 | 1306K | H306 | FR72x7,5 |
| | SC606FS | | | 24,0 | | | | | 2306K | H2306 | FR72x3,5 |
| | SC606SV | | | 20,0 | | | | | 21306K | H306 | FR72x7,5 |
| | SC606LA | | | | | | | | | | |
| | SC606TA | | | | | | | | | | |
| SNC507-606 | SC507DS | V30A | SC507-606EC | 20,0 | 94 | 148 | 100 | RDC507 | 1207K | H207 | FR72x8,5 |
| | SC507FS | | | 23,0 | | | | | 2207K | H307 | FR72x5,5 |
| | SC507SV | | | 23,5 | | | | | 22207K | H307 | FR72x5,5 |
| | SC507LA | | | | | | | | | | |
| | SC507TA | | | | | | | | | | |
| SNC508-607 | SC607DS | V30A | SC508-607EC | 22,0 | 97 | 151 | 103 | RDC607 | 1307K | H307 | FR80x9 |
| | SC607FS | | | 27,0 | | | | | 2307K | H2307 | FR80x4 |
| | SC607SV | | | 23,0 | | | | | 21307K | H307 | FR80x8 |
| | SC607LA | | | | | | | | | | |
| | SC607TA | | | | | | | | | | |

²⁾ Seals must be ordered for each side of the housing.

³⁾ Optional V-ring available for felt strip seal (FS).

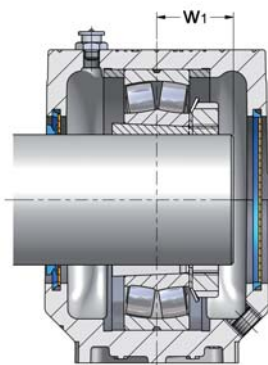


Pillow block housing for bearings with adapter sleeve mounting

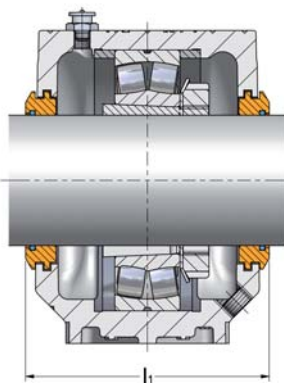


| d | Typ | D | Housing dimensions | | | | | | | | | | | Weight approx ¹⁾ [kg] | | | | | |
|----|--------|-----|--------------------|----|----|----|----|-----|-----|-----|----|----|----------------|-------------------------------------|----------------|----------------|----------------|----------------|----------------|
| | | | a | b | c | g | h | l | m | G | u | v | h ₁ | | m ₁ | n ₂ | m ₂ | n ₁ | n ₃ |
| 35 | SNC508 | 80 | 205 | 60 | 25 | 39 | 60 | 85 | 170 | M12 | 15 | 20 | 107 | 160 | 44 | 188 | 34 | 50 | 3,2 |
| | SNC608 | 90 | 205 | 60 | 25 | 41 | 60 | 90 | 170 | M12 | 15 | 20 | 113 | 160 | 44 | 188 | 34 | 53 | 3,4 |
| 40 | SNC509 | 85 | 205 | 60 | 25 | 30 | 60 | 85 | 170 | M12 | 15 | 20 | 110 | 160 | 44 | 188 | 34 | 44 | 3,2 |
| | SNC609 | 100 | 255 | 70 | 28 | 44 | 70 | 95 | 210 | M16 | 18 | 24 | 127 | 200 | 49 | 234 | 40 | 56 | 5,1 |
| 45 | SNC510 | 90 | 205 | 60 | 25 | 41 | 60 | 90 | 170 | M12 | 15 | 20 | 113 | 160 | 44 | 188 | 34 | 53 | 3,4 |
| | SNC610 | 110 | 255 | 70 | 30 | 48 | 70 | 105 | 210 | M16 | 18 | 24 | 133 | 200 | 54 | 234 | 40 | 64 | 5,4 |

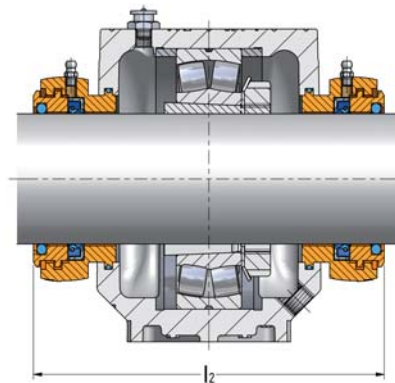
¹⁾ Housing body



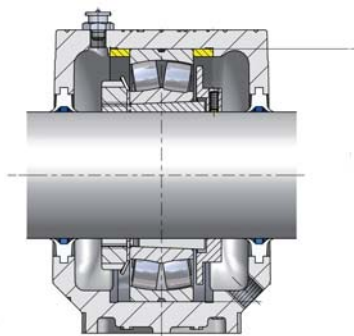
V-ring seal
SC..SV + Cover
SC..EC



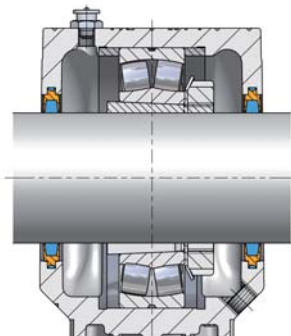
Labyrinth seal
SC..LA



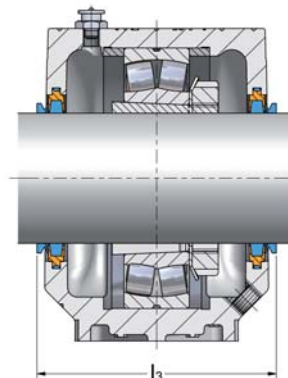
Taconite seal
SC..TA



Double lip seal
SC..DS + Regulation disc
RDC



Felt strip seal
SC..FS



Felt strip seal
SC..FS + V-Ring
V..A

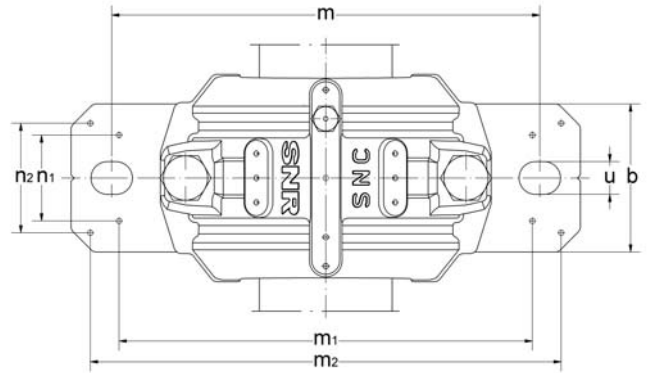
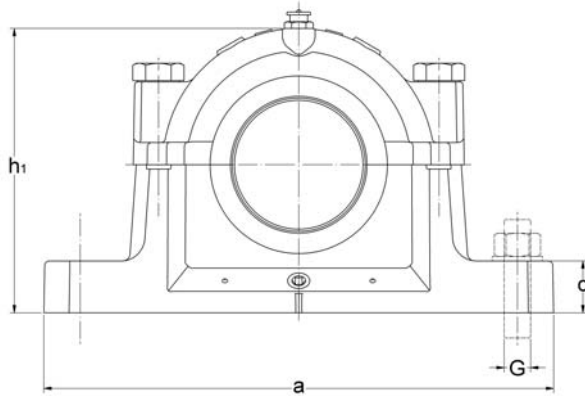
| Housing | Seal ²⁾ | V-Ring ³⁾ | Cover | w ₁ | l ₁ | l ₂ | l ₃ | Regulation disc | Rolling bearing | Adapter sleeve | Locating ring x2 per housing |
|------------|--------------------|----------------------|-------------|----------------|----------------|----------------|----------------|-----------------|-----------------|----------------|------------------------------|
| | | | | | [mm] | | | | | | |
| SNC508-607 | SC508DS | V35A | SC508-607EC | 21,5 | 97 | 151 | 103 | RDC508 | 1208K | H208 | FR80x10,5 |
| | SC508FS | | | 24,0 | | | | | 2208K | H308 | FR80x8 |
| | SC508SV | | | 24,0 | | | | | 22208K | H308 | FR80x8 |
| | SC508LA | | | | | | | | | | |
| | SC508TA | | | | | | | | | | |
| SNC510-608 | SC608DS | V35A | SC510-608EC | 24,0 | 102 | 154 | 108 | RDC608 | 1308K | H308 | FR90x9 |
| | SC608FS | | | 29,0 | | | | | 2308K | H2308 | FR90x4 |
| | SC608SV | | | 24,0 | | | | | 21308K | H308 | FR90x9 |
| | SC608LA | | | 29,0 | | | | | 22308K | H2308 | FR90x4 |
| | SC608TA | | | | | | | | | | |
| SNC509 | SC509DS | V40A | SC509EC | 23,0 | 97 | 149 | 107 | RDC509 | 1209K | H209 | FR85x5,5 |
| | SC509FS | | | 25,0 | | | | | 2209K | H309 | FR85x3,5 |
| | SC509SV | | | 25,0 | | | | | 22209K | H309 | FR85x3,5 |
| | SC509LA | | | | | | | | | | |
| | SC509TA | | | | | | | | | | |
| SNC511-609 | SC609DS | V40A | SC511-609EC | 26,0 | 107 | 158 | 117 | RDC609 | 1309K | H309 | FR100x9,5 |
| | SC609FS | | | 31,5 | | | | | 2309K | H2309 | FR100x4 |
| | SC609SV | | | 26,0 | | | | | 21309K | H309 | FR100x9,5 |
| | SC609LA | | | 31,5 | | | | | 22309K | H2309 | FR100x4 |
| | SC609TA | | | | | | | | | | |
| SNC510-608 | SC510DS | V45A | SC510-608EC | 24,5 | 102 | 154 | 112 | RDC510 | 1210K | H210 | FR90x10,5 |
| | SC510FS | | | 26,0 | | | | | 2210K | H310 | FR90x9 |
| | SC510SV | | | 26,0 | | | | | 22210K | H310 | FR90x9 |
| | SC510LA | | | | | | | | | | |
| | SC510TA | | | | | | | | | | |
| SNC512-610 | SC610DS | V45A | SC512-610EC | 28,0 | 117 | 168 | 127 | RDC610 | 1310K | H310 | FR110x10,5 |
| | SC610FS | | | 34,5 | | | | | 2310K | H2310 | FR110x4 |
| | SC610SV | | | 28,0 | | | | | 21310K | H310 | FR110x10,5 |
| | SC610LA | | | 34,5 | | | | | 22310K | H2310 | FR110x4 |
| | SC610TA | | | | | | | | | | |

²⁾ Seals must be ordered for each side of the housing.

³⁾ Optional V-ring available for felt strip seal (FS).

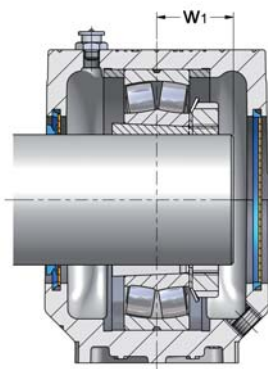


Pillow block housing for bearings with adapter sleeve mounting

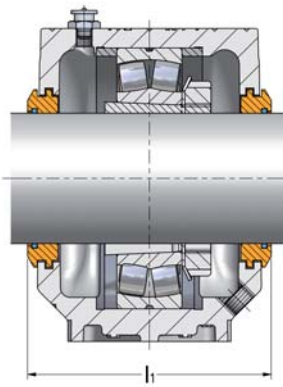


| d | Typ | D | Housing dimensions | | | | | | | | | | | Weight approx ¹⁾ | | | | | |
|----|--------|-----|--------------------|----|----|----|----|-----|-----|-----|----|----|----------------|-----------------------------|----------------|----------------|----------------|----------------|------|
| | | | a | b | c | g | h | l | m | G | u | v | h ₁ | m ₁ | n ₂ | m ₂ | n ₁ | n ₃ | [kg] |
| 50 | SNC511 | 100 | 255 | 70 | 28 | 44 | 70 | 95 | 210 | M16 | 18 | 24 | 127 | 200 | 49 | 234 | 40 | 56 | 5,1 |
| | SNC611 | 120 | 275 | 80 | 30 | 51 | 80 | 110 | 230 | M16 | 18 | 24 | 148 | 220 | 58 | 252 | 48 | 63 | 7,0 |
| 55 | SNC512 | 110 | 255 | 70 | 30 | 48 | 70 | 105 | 210 | M16 | 18 | 24 | 133 | 200 | 54 | 234 | 40 | 64 | 5,4 |
| | SNC612 | 130 | 280 | 80 | 30 | 56 | 80 | 115 | 230 | M16 | 18 | 24 | 155 | 220 | 58 | 257 | 48 | 72 | 7,3 |
| 60 | SNC513 | 120 | 275 | 80 | 30 | 51 | 80 | 110 | 230 | M16 | 18 | 24 | 148 | 220 | 58 | 252 | 48 | 63 | 7,0 |
| | SNC613 | 140 | 315 | 90 | 32 | 58 | 95 | 120 | 260 | M20 | 22 | 28 | 175 | 252 | 66 | 288 | 52 | 72 | 10,4 |

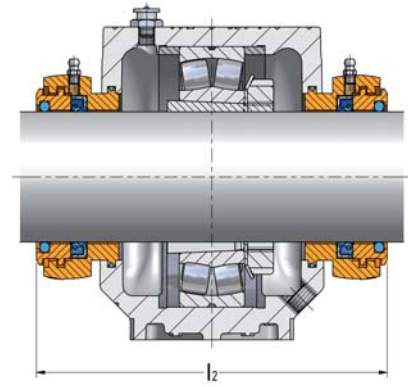
¹⁾ Housing body



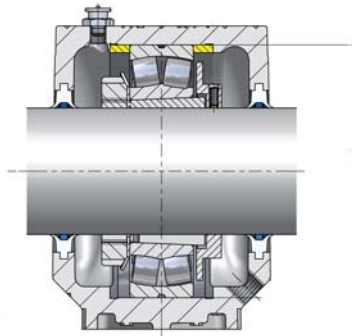
V-ring seal
SC..SV + Cover
SC..EC



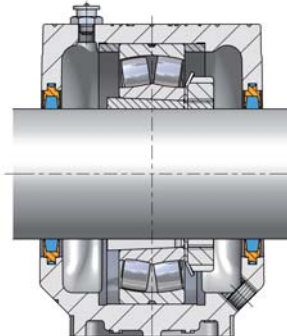
Labyrinth seal
SC..LA



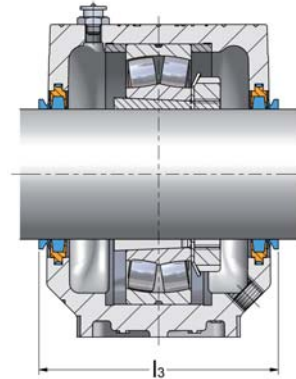
Taconite seal
SC..TA



Double lip seal
SC..DS + Regulation disc
RDC



Felt strip seal
SC..FS



Felt strip seal
SC..FS + V-Ring
V..A

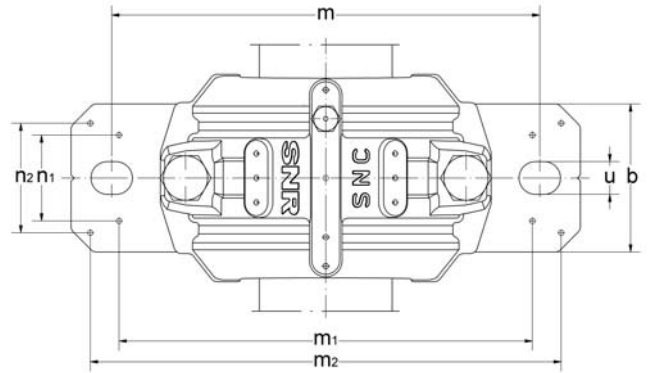
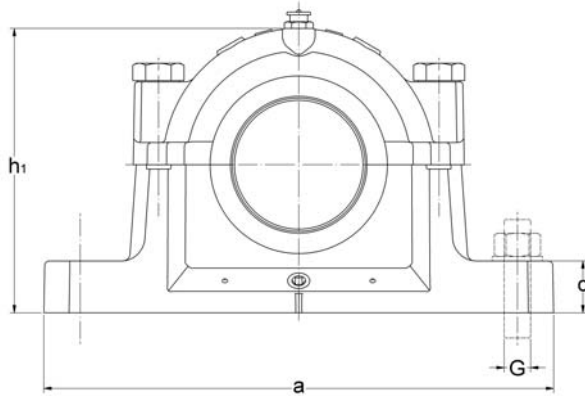
| Housing | Seal ²⁾ | V-Ring ³⁾ | Cover | w ₁ | l ₁ | l ₂ | l ₃ | Regulation disc | Rolling bearing | Adapter sleeve | Locating ring x2 per housing |
|------------|--------------------|----------------------|-------------|----------------|----------------|----------------|----------------|-----------------|-----------------|----------------|------------------------------|
| | | | | | [mm] | | | | | | |
| SNC511-609 | SC511DS | V50A | SC511-609EC | 25,5 | 107 | 158 | 117 | RDC511 | 1211K | H211 | FR100x11,5 |
| | SC511FS | | | 27,5 | | | | | 2211K | H311 | FR100x9,5 |
| | SC511SV | | | 27,5 | | | | | 22211K | H311 | FR100x9,5 |
| | SC511LA | | | | | | | | | | |
| | SC511TA | | | | | | | | | | |
| SNC513-611 | SC611DS | V50A | SC513-611EC | 29,5 | 122 | 172 | 132 | RDC611 | 1311K | H311 | FR120x11 |
| | SC611FS | | | 36,5 | | | | | 2311K | H2311 | FR120x4 |
| | SC611SV | | | 29,5 | | | | | 21311K | H311 | FR120x11 |
| | SC611LA | | | 36,5 | | | | | 22311K | H2311 | FR120x4 |
| | SC611TA | | | | | | | | | | |
| SNC512-610 | SC512DS | V55A | SC512-610EC | 26,5 | 117 | 168 | 127 | RDC512 | 1212K | H212 | FR110x13 |
| | SC512FS | | | 29,5 | | | | | 2212K | H312 | FR110x10 |
| | SC512SV | | | 29,5 | | | | | 22212K | H312 | FR110x10 |
| | SC512LA | | | | | | | | | | |
| | SC512TA | | | | | | | | | | |
| SNC515-612 | SC612DS | V55A | SC515-612EC | 31,0 | 127 | 181 | 137 | RDC612 | 1312K | H312 | FR130x12,5 |
| | SC612FS | | | 38,5 | | | | | 2312K | H2312 | FR130x5 |
| | SC612SV | | | 31,0 | | | | | 21312K | H312 | FR130x12,5 |
| | SC612LA | | | 38,5 | | | | | 22312K | H2312 | FR130x5 |
| | SC612TA | | | | | | | | | | |
| SNC513-611 | SC513DS | V60A | SC513-611EC | 28,0 | 122 | 172 | 132 | RDC513 | 1213K | H213 | FR120x14 |
| | SC513FS | | | 32,0 | | | | | 2213K | H313 | FR120x10 |
| | SC513SV | | | 32,0 | | | | | 22213K | H313 | FR120x10 |
| | SC513LA | | | | | | | | | | |
| | SC513TA | | | | | | | | | | |
| SNC516-613 | SC613DS | V60A | SC516-613EC | 33,0 | 135 | 190 | 142 | RDC613 | 1313K | H313 | FR140x12,5 |
| | SC613FS | | | 40,5 | | | | | 2313K | H2313 | FR140x5 |
| | SC613SV | | | 33,0 | | | | | 21313K | H313 | FR140x12,5 |
| | SC613LA | | | 40,5 | | | | | 22313K | H2313 | FR140x5 |
| | SC613TA | | | | | | | | | | |

²⁾ Seals must be ordered for each side of the housing.

³⁾ Optional V-ring available for felt strip seal (FS).

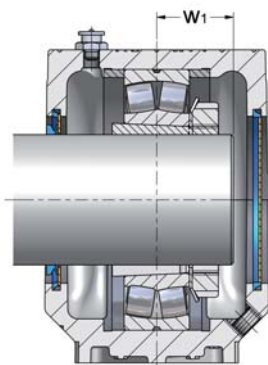


Pillow block housing for bearings with adapter sleeve mounting

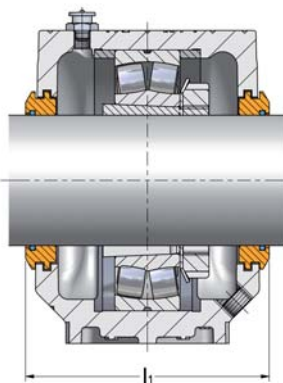


| d | Typ | D | Housing dimensions | | | | | | | | | | | Weight approx ¹⁾ [kg] | | | | | |
|----|--------|-----|--------------------|-----|----|----|-----|-----|-----|--------|----|----|----------------|----------------------------------|----------------|----------------|----------------|----------------|----------------|
| | | | a | b | c | g | h | l | m | G [mm] | u | v | h ₁ | | m ₁ | n ₂ | m ₂ | n ₁ | n ₃ |
| 65 | SNC515 | 130 | 280 | 80 | 30 | 56 | 80 | 115 | 230 | M16 | 18 | 24 | 155 | 220 | 58 | 257 | 48 | 72 | 7,3 |
| | SNC615 | 160 | 345 | 100 | 35 | 65 | 100 | 140 | 290 | M20 | 22 | 28 | 192 | 280 | 74 | 319 | 58 | 80 | 13,5 |
| 70 | SNC516 | 140 | 315 | 90 | 32 | 58 | 95 | 120 | 260 | M20 | 22 | 28 | 175 | 252 | 66 | 288 | 52 | 72 | 10,4 |
| | SNC616 | 170 | 345 | 100 | 35 | 68 | 112 | 145 | 290 | M20 | 22 | 28 | 212 | 280 | 70 | 317 | 58 | 88 | 15,6 |
| 75 | SNC517 | 150 | 320 | 90 | 32 | 61 | 95 | 125 | 260 | M20 | 22 | 28 | 183 | 252 | 66 | 292 | 52 | 76 | 10,2 |
| | SNC617 | 180 | 380 | 110 | 40 | 70 | 112 | 160 | 320 | M24 | 26 | 32 | 215 | 300 | 78 | 348 | 66 | 104 | 18,4 |

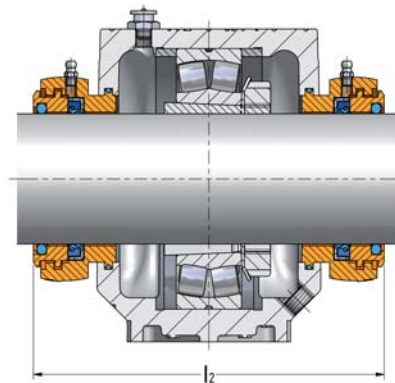
¹⁾ Housing body



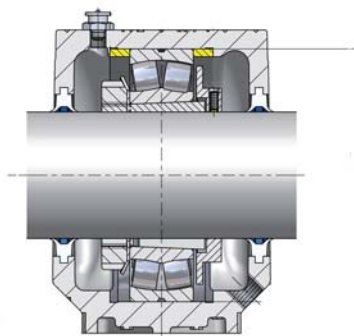
V-ring seal
SC..SV + Cover
SC..EC



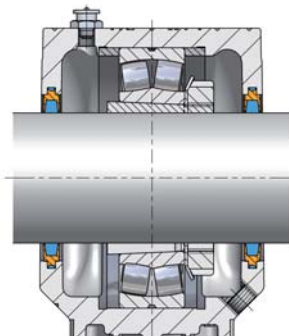
Labyrinth seal
SC..LA



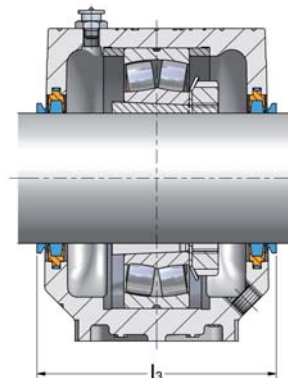
Taconite seal
SC..TA



Double lip seal
SC..DS + Regulation disc
RDC



Felt strip seal
SC..FS



Felt strip seal
SC..FS + V-Ring
V..A

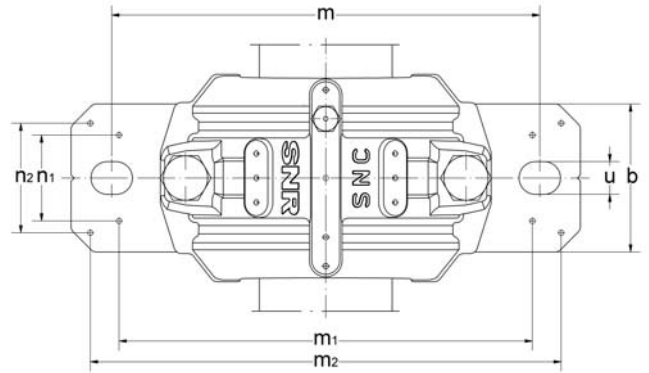
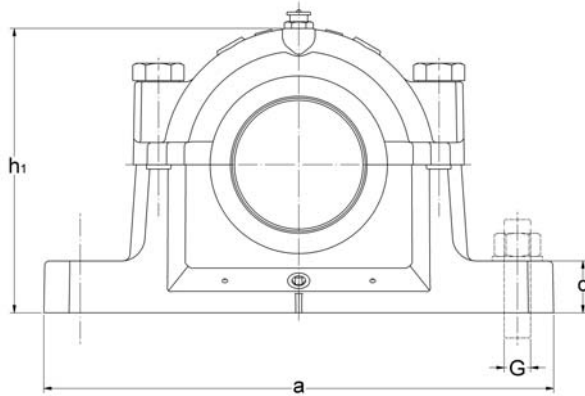
| Housing | Seal ²⁾ | V-Ring ³⁾ | Cover | w ₁ | l ₁ | l ₂ | l ₃ | Regulation disc | Rolling bearing | Adapter sleeve | Locating ring x2 per housing |
|------------|--------------------|----------------------|-------------|----------------|----------------|----------------|----------------|-----------------|-----------------|----------------|------------------------------|
| | | | | | [mm] | | | | | | |
| SNC515-612 | SC515DS | V65A | SC515-612EC | 30,0 | 127 | 181 | 137 | RDC515 | 1215K | H215 | FR130x15,5 |
| | SC515FS | | | 2215K | | | | | H315 | FR130x12,5 | |
| | SC515SV | | | 22215K | | | | | H315 | FR130x12,5 | |
| | SC515LA | | | | | | | | | | |
| | SC515TA | | | | | | | | | | |
| SNC518-615 | SC615DS | V65A | SC518-615EC | 36,0 | 155 | 216 | 162 | RDC615 | 1315K | H315 | FR160x14 |
| | SC615FS | | | 2315K | | | | | H2315 | FR160x5 | |
| | SC615SV | | | 21315K | | | | | H315 | FR160x14 | |
| | SC615LA | | | 22315K | | | | | H2315 | FR160x5 | |
| | SC615TA | | | | | | | | | | |
| SNC516-613 | SC516DS | V70A | SC516-613EC | 32,5 | 135 | 190 | 147 | RDC516 | 1216K | H216 | FR140x16 |
| | SC516FS | | | 2216K | | | | | H316 | FR140x12,5 | |
| | SC516SV | | | 22216K | | | | | H316 | FR140x12,5 | |
| | SC516LA | | | | | | | | | | |
| | SC516TA | | | | | | | | | | |
| SNC519-616 | SC616DS | V70A | SC519-616EC | 39,0 | 159 | 212 | 172 | RDC616 | 1316K | H316 | FR170x14,5 |
| | SC616FS | | | 2316K | | | | | H2316 | FR170x5 | |
| | SC616SV | | | 21316K | | | | | H316 | FR170x14,5 | |
| | SC616LA | | | 22316K | | | | | H2316 | FR170x5 | |
| | SC616TA | | | | | | | | | | |
| SNC517 | SC517DS | V75A | SC517EC | 34,5 | 140 | 201 | 152 | RDC517 | 1217K | H217 | FR150x16,5 |
| | SC517FS | | | 2217K | | | | | H317 | FR150x12,5 | |
| | SC517SV | | | 22217K | | | | | H317 | FR150x12,5 | |
| | SC517LA | | | | | | | | | | |
| | SC517TA | | | | | | | | | | |
| SNC520-617 | SC617DS | V75A | SC520-617EC | 41,0 | 174 | 227 | 187 | RDC617 | 1317K | H317 | FR180x14,5 |
| | SC617FS | | | 2317K | | | | | H2317 | FR180x5 | |
| | SC617SV | | | 21317K | | | | | H317 | FR180x14,5 | |
| | SC617LA | | | 22317K | | | | | H2317 | FR180x5 | |
| | SC617TA | | | | | | | | | | |

²⁾ Seals must be ordered for each side of the housing.

³⁾ Optional V-ring available for felt strip seal (FS).

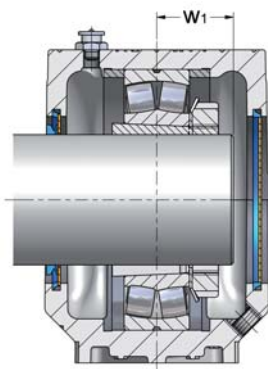


Pillow block housing for bearings with adapter sleeve mounting

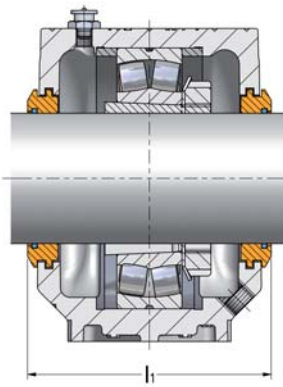


| d | Typ | D | Housing dimensions | | | | | | | | | | | Weight approx ¹⁾ | | | | | |
|----|--------|-----|--------------------|-----|----|----|-----|-----|-----|-----|----|----|----------------|-----------------------------|----------------|----------------|----------------|----------------|------|
| | | | a | b | c | g | h | l | m | G | u | v | h ₁ | m ₁ | n ₂ | m ₂ | n ₁ | n ₃ | [kg] |
| 80 | SNC518 | 160 | 345 | 100 | 35 | 65 | 100 | 140 | 290 | M20 | 22 | 28 | 192 | 280 | 74 | 319 | 58 | 80 | 13,5 |
| | SNC618 | 190 | 380 | 110 | 40 | 74 | 112 | 160 | 320 | M24 | 26 | 32 | 220 | 300 | 78 | 348 | 66 | 104 | 18,5 |
| 85 | SNC519 | 170 | 345 | 100 | 35 | 68 | 112 | 145 | 290 | M20 | 22 | 28 | 212 | 280 | 70 | 317 | 58 | 88 | 15,6 |
| | SNC619 | 200 | 410 | 120 | 45 | 80 | 125 | 175 | 350 | M24 | 26 | 32 | 242 | 320 | 88 | 378 | 74 | 110 | 24,7 |
| 90 | SNC520 | 180 | 380 | 110 | 40 | 70 | 112 | 160 | 320 | M24 | 26 | 32 | 215 | 300 | 78 | 348 | 66 | 104 | 18,4 |
| | SNC620 | 215 | 410 | 120 | 45 | 86 | 140 | 185 | 350 | M24 | 26 | 32 | 271 | 330 | 88 | 378 | 74 | 122 | 30,0 |

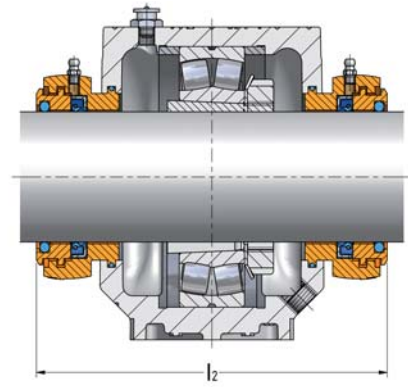
¹⁾ Housing body



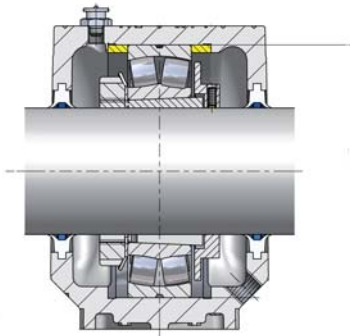
V-ring seal
SC..SV + Cover
SC..EC



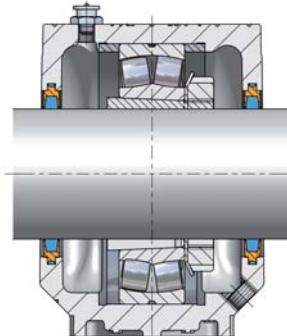
Labyrinth seal
SC..LA



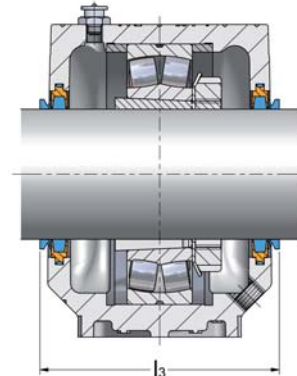
Taconite seal
SC..TA



Double lip seal
SC..DS + Regulation disc
RDC



Felt strip seal
SC..FS



Felt strip seal
SC..FS + V-Ring
V..A

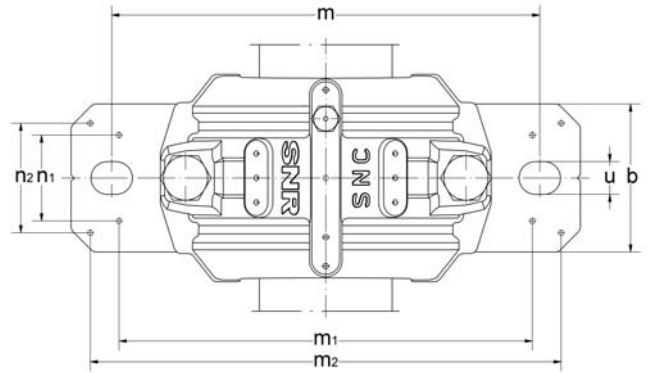
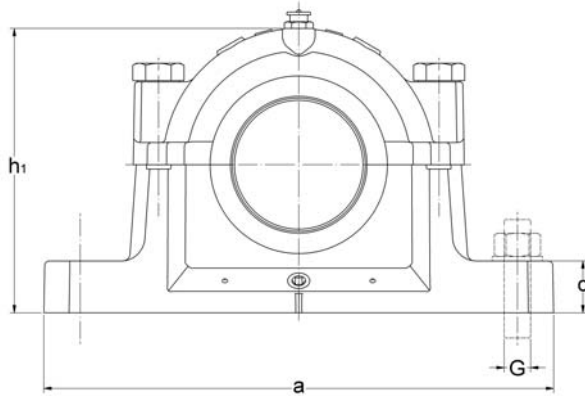
| Housing | Seal ²⁾ | V-Ring ³⁾ | Cover | w ₁ | l ₁ | l ₂ | l ₃ | Regulation disc | Rolling bearing | Adapter sleeve | Locating ring x2 per housing | |
|------------|--------------------|----------------------|-------------|----------------|----------------|----------------|----------------|-----------------|-----------------|----------------|------------------------------|--|
| | | | | | [mm] | | | | | | | |
| SNC518-615 | SC518DS | V80A | SC518-615EC | 35,5 | 155 | 216 | 167 | RDC518 | 1218K | H218 | FR160x17,5 | |
| | SC518FS | | | 40,5 | | | | | 2218K | H318 | FR160x12,5 | |
| | SC518SV | | | 40,5 | | | | | 22218K | H318 | FR160x12,5 | |
| | SC518LA | | | 46,8 | | | | | 23218K | H2318 | FR160x6,25 | |
| | SC518TA | | | | | | | | | | | |
| SNC318-618 | SC618DS | V80A | SC318-618EC | 42,0 | 172 | 227 | 187 | RDC618 | 1318K | H318 | FR190x15,5 | |
| | SC618FS | | | 52,5 | | | | | 2318K | H2318 | FR190x5 | |
| | SC618SV | | | 42,0 | | | | | 21318K | H318 | FR190x15,5 | |
| | SC618LA | | | 52,5 | | | | | 22318K | H2318 | FR190x5 | |
| | SC618TA | | | | | | | | | | | |
| SNC519-616 | SC519DS | V85A | SC519-616EC | 37,5 | 159 | 212 | 172 | RDC519 | 1219K | H219 | FR170x18 | |
| | SC519FS | | | 43,0 | | | | | 2219K | H319 | FR170x12,5 | |
| | SC519SV | | | 43,0 | | | | | 22219K | H319 | FR170x12,5 | |
| | SC519LA | | | | | | | | | | | |
| | SC519TA | | | | | | | | | | | |
| SNC522-619 | SC619DS | V85A | SC522-619EC | 44,0 | 189 | 242 | 202 | RDC619 | 1319K | H319 | FR200x17,5 | |
| | SC619FS | | | 55,0 | | | | | 2319K | H2319 | FR200x6,5 | |
| | SC619SV | | | 44,0 | | | | | 21319K | H319 | FR200x17,5 | |
| | SC619LA | | | 55,0 | | | | | 22319K | H2319 | FR200x6,5 | |
| | SC619TA | | | | | | | | | | | |
| SNC520-617 | SC520DS | V90A | SC520-617EC | 39,5 | 174 | 227 | 187 | RDC520 | 1220K | H220 | FR180x18 | |
| | SC520FS | | | 45,5 | | | | | 2220K | H320 | FR180x12 | |
| | SC520SV | | | 45,5 | | | | | 22220K | H320 | FR180x12 | |
| | SC520LA | | | 52,7 | | | | | 23220K | H2320 | FR180x4,85 | |
| | SC520TA | | | | | | | | | | | |
| SNC524-620 | SC620DS | V90A | SC524-620EC | 46,0 | 199 | 249 | 212 | RDC620 | 1320K | H320 | FR215x19,5 | |
| | SC620FS | | | 59,0 | | | | | 2320K | H2320 | FR215x6,5 | |
| | SC620SV | | | 46,0 | | | | | 21320K | H320 | FR215x19,5 | |
| | SC620LA | | | 59,0 | | | | | 22320K | H2320 | FR215x5 | |
| | SC620TA | | | | | | | | | | | |

²⁾ Seals must be ordered for each side of the housing.

³⁾ Optional V-ring available for felt strip seal (FS).

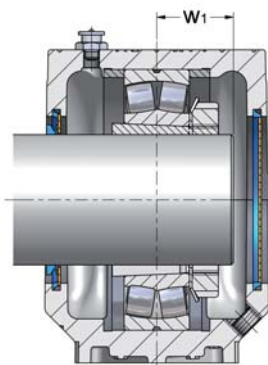


Pillow block housing for bearings with adapter sleeve mounting

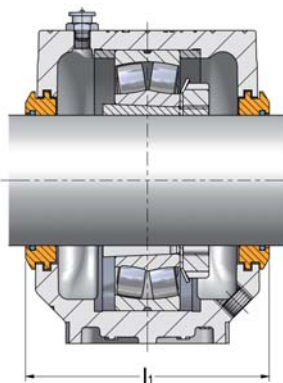


| d | Typ | D | Housing dimensions | | | | | | | | | | | | | Weight approx ¹⁾ [kg] | | | |
|-----|--------|-----|--------------------|-----|----|-----|-----|-----|-----|-----|----|----|----------------|----------------|----------------|-------------------------------------|----------------|----------------|----------------|
| | | | a | b | c | g | h | l | m | G | u | v | h ₁ | m ₁ | n ₂ | | m ₂ | n ₁ | n ₃ |
| 100 | SNC522 | 200 | 410 | 120 | 45 | 80 | 125 | 175 | 350 | M24 | 26 | 32 | 242 | 320 | 88 | 378 | 74 | 110 | 24,7 |
| 110 | SNC524 | 215 | 410 | 120 | 45 | 86 | 140 | 185 | 350 | M24 | 26 | 32 | 271 | 330 | 88 | 378 | 74 | 122 | 30,0 |
| 115 | SNC526 | 230 | 445 | 130 | 50 | 90 | 150 | 190 | 380 | M24 | 28 | 35 | 290 | 370 | 92 | 414 | 80 | 122 | 36,6 |
| 125 | SNC528 | 250 | 500 | 150 | 50 | 98 | 150 | 205 | 420 | M30 | 35 | 42 | 302 | 400 | 108 | 458 | 92 | 128 | 42,6 |
| 135 | SNC530 | 270 | 530 | 160 | 60 | 106 | 160 | 220 | 450 | M30 | 35 | 42 | 323 | 430 | 116 | 486 | 100 | 140 | 55,2 |
| 140 | SNC532 | 290 | 550 | 160 | 60 | 114 | 170 | 235 | 470 | M30 | 35 | 42 | 344 | 450 | 116 | 506 | 100 | 155 | 63,0 |

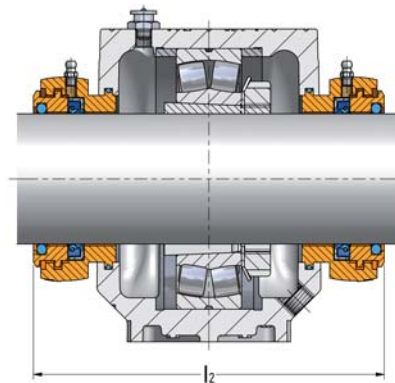
¹⁾ Housing body



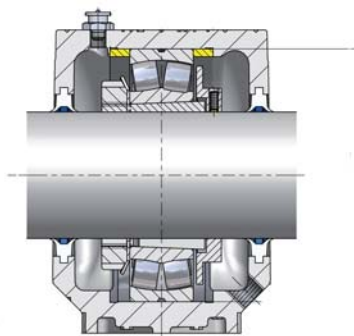
V-ring seal
SC..SV + Cover
SC..EC



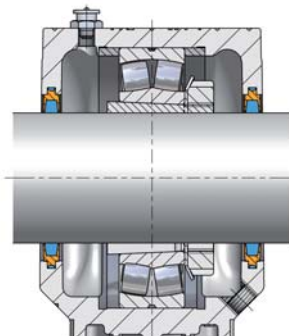
Labyrinth seal
SC..LA



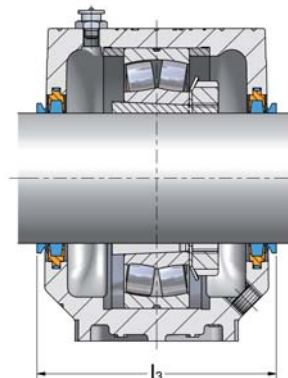
Taconite seal
SC..TA



Double lip seal
SC..DS + Regulation disc
RDC



Felt strip seal
SC..FS



Felt strip seal
SC..FS + V-Ring
V..A

| Housing | Seal ²⁾ | V-Ring ³⁾ | Cover | w ₁ | l ₁ | l ₂ | l ₃ | Regulation disc | Rolling bearing | Adapter sleeve | Locating ring x2 per housing |
|------------|--------------------|----------------------|-------------|----------------|----------------|----------------|----------------|-----------------|-----------------|----------------|------------------------------|
| | | | | [mm] | | | | | | | |
| SNC522-619 | SC522DS | V100A | SC522-619EC | 42,5 | 189 | 242 | 202 | RDC522 | 1222K | H222 | FR200x21 |
| | SC522FS | | | 50,0 | | | | | 2222K | H322 | FR200x13,5 |
| | SC522SV | | | 50,0 | | | | | 22222K | H322 | FR200x13,5 |
| | SC522LA | | | 58,4 | | | | | 23222K | H2322 | FR200x5,1 |
| | SC522TA | | | | | | | | | | |
| SNC524-620 | SC524DS | V110A | SC524-620EC | 53,5 | 199 | 249 | 216 | RDC524 | 22224K | H3124 | FR215x14 |
| | SC524FS | | | 62,5 | | | | | 23224K | H2324 | FR215x5 |
| | SC524SV | | | | | | | | | | |
| | SC524LA | | | | | | | | | | |
| | SC524TA | | | | | | | | | | |
| SNC226-526 | SC526DS | V120A | SC226-526EC | 57,5 | 207 | 259 | 221 | RDC526 | 22226K | H3126 | FR230x13 |
| | SC526FS | | | 65,5 | | | | | 23226K | H2326 | FR230x5 |
| | SC526SV | | | | | | | | | | |
| | SC526LA | | | | | | | | | | |
| | SC526TA | | | | | | | | | | |
| SNC228-528 | SC528DS | V130A | SC228-528EC | 60,5 | 222 | 275 | 236 | RDC528 | 22228K | H3128 | FR250x15 |
| | SC528FS | | | 70,5 | | | | | 23228K | H2328 | FR250x5 |
| | SC528SV | | | | | | | | | | |
| | SC528LA | | | | | | | | | | |
| | SC528TA | | | | | | | | | | |
| SNC230-530 | SC530DS | V140A | SC230-530EC | 65,0 | 236 | 294 | 251 | RDC530 | 22230K | H3130 | FR270x16,5 |
| | SC530FS | | | 76,5 | | | | | 23230K | H2330 | FR270x5 |
| | SC530SV | | | | | | | | | | |
| | SC530LA | | | | | | | | | | |
| | SC530TA | | | | | | | | | | |
| SNC232-532 | SC532DS | V140A | SC232-532EC | 70,5 | 254 | 309 | 266 | RDC532 | 22232K | H3132 | FR290x17 |
| | SC532FS | | | 82,5 | | | | | 23232K | H2332 | FR290x5 |
| | SC532SV | | | | | | | | | | |
| | SC532LA | | | | | | | | | | |
| | SC532TA | | | | | | | | | | |

²⁾ Seals must be ordered for each side of the housing.

³⁾ Optional V-ring available for felt strip seal (FS).