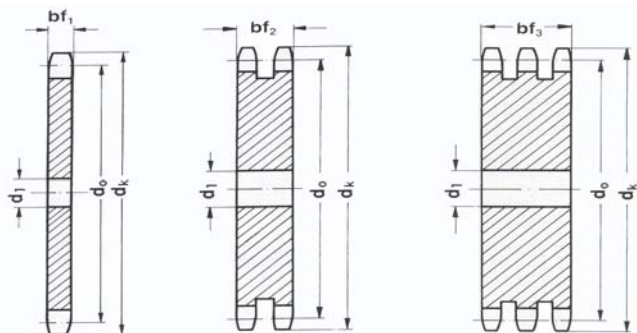


Řetězová kola plochá

Plate Wheels

(1 1/2"x1") 24B



Řetěz/Chain 24B (1"1/2x1")

Rozteč/Pitch 38,1 mm

Vnitřní šířka/Internal width 25,4 mm

Průměr válečku/Roller d 25,4 mm

Radius/Tooth radius r 38 mm

Radius/Chamfer C 4 mm

Typ 24B - pro řetězy 24B (1"1/2x1") / for chains 24B (1"1/2x1") DIN 8187 - ISO/R 606

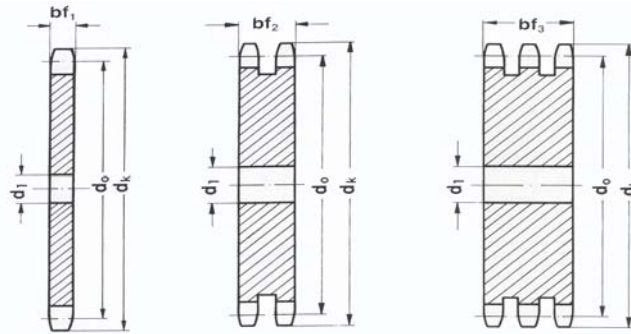
| Z Zubů Teeth | d ₀ [mm] | d _k [mm] | Jednořadé - Single | | | Dvouřadé - Duplex | | | Trojřadé - Triplex | | |
|--------------------|------------------------|------------------------|----------------------------|-------------------------|------------------------|----------------------------|-------------------------|------------------------|----------------------------|-------------------------|------------------------|
| | | | Označ.- Obj.č. Part.No. | bf ₁ [mm] | d ₁ [mm] | Označ.- Obj.č. Part.No. | bf ₂ [mm] | d ₁ [mm] | Označ.- Obj.č. Part.No. | bf ₃ [mm] | d ₁ [mm] |
| 8 | 99,55 | 115,00 | 24B-1-08-P | 24,1 | 20 | 24B-2-08-P | 72,0 | 25 | 24B-3-08-P | 120,3 | 25 |
| 9 | 111,40 | 126,40 | 24B-1-09-P | 24,1 | 20 | 24B-2-09-P | 72,0 | 25 | 24B-3-09-P | 120,3 | 25 |
| 10 | 123,29 | 138,00 | 24B-1-10-P | 24,1 | 20 | 24B-2-10-P | 72,0 | 25 | 24B-3-10-P | 120,3 | 25 |
| 11 | 135,21 | 150,00 | 24B-1-11-P | 24,1 | 20 | 24B-2-11-P | 72,0 | 25 | 24B-3-11-P | 120,3 | 25 |
| 12 | 147,22 | 162,00 | 24B-1-12-P | 24,1 | 20 | 24B-2-12-P | 72,0 | 25 | 24B-3-12-P | 120,3 | 25 |
| 13 | 159,18 | 174,20 | 24B-1-13-P | 24,1 | 20 | 24B-2-13-P | 72,0 | 25 | 24B-3-13-P | 120,3 | 25 |
| 14 | 171,22 | 186,20 | 24B-1-14-P | 24,1 | 20 | 24B-2-14-P | 72,0 | 25 | 24B-3-14-P | 120,3 | 25 |
| 15 | 183,26 | 198,20 | 24B-1-15-P | 24,1 | 20 | 24B-2-15-P | 72,0 | 25 | 24B-3-15-P | 120,3 | 25 |
| 16 | 195,30 | 210,30 | 24B-1-16-P | 24,1 | 25 | 24B-2-16-P | 72,0 | 25 | 24B-3-16-P | 120,3 | 25 |
| 17 | 207,34 | 222,30 | 24B-1-17-P | 24,1 | 25 | 24B-2-17-P | 72,0 | 25 | 24B-3-17-P | 120,3 | 25 |
| 18 | 219,42 | 234,30 | 24B-1-18-P | 24,1 | 25 | 24B-2-18-P | 72,0 | 25 | 24B-3-18-P | 120,3 | 25 |
| 19 | 231,49 | 246,50 | 24B-1-19-P | 24,1 | 25 | 24B-2-19-P | 72,0 | 25 | 24B-3-19-P | 120,3 | 25 |
| 20 | 243,57 | 258,60 | 24B-1-20-P | 24,1 | 25 | 24B-2-20-P | 72,0 | 25 | 24B-3-20-P | 120,3 | 25 |
| 21 | 255,65 | 270,60 | 24B-1-21-P | 24,1 | 25 | 24B-2-21-P | 72,0 | 25 | 24B-3-21-P | 120,3 | 30 |
| 22 | 267,73 | 282,70 | 24B-1-22-P | 24,1 | 25 | 24B-2-22-P | 72,0 | 25 | 24B-3-22-P | 120,3 | 30 |
| 23 | 279,80 | 294,80 | 24B-1-23-P | 24,1 | 25 | 24B-2-23-P | 72,0 | 25 | 24B-3-23-P | 120,3 | 30 |
| 24 | 291,88 | 306,80 | 24B-1-24-P | 24,1 | 25 | 24B-2-24-P | 72,0 | 25 | 24B-3-24-P | 120,3 | 30 |
| 25 | 304,00 | 319,00 | 24B-1-25-P | 24,1 | 25 | 24B-2-25-P | 72,0 | 25 | 24B-3-25-P | 120,3 | 30 |
| 26 | 316,08 | 331,00 | 24B-1-26-P | 24,1 | 30 | 24B-2-26-P | 72,0 | 30 | 24B-3-26-P | 120,3 | 30 |
| 27 | 328,19 | 343,20 | 24B-1-27-P | 24,1 | 30 | 24B-2-27-P | 72,0 | 30 | 24B-3-27-P | 120,3 | 30 |
| 28 | 340,27 | 355,20 | 24B-1-28-P | 24,1 | 30 | 24B-2-28-P | 72,0 | 30 | 24B-3-28-P | 120,3 | 30 |
| 29 | 352,38 | 367,30 | 24B-1-29-P | 24,1 | 30 | 24B-2-29-P | 72,0 | 30 | 24B-3-29-P | 120,3 | 30 |
| 30 | 364,50 | 379,50 | 24B-1-30-P | 24,1 | 30 | 24B-2-30-P | 72,0 | 30 | 24B-3-30-P | 120,3 | 40 |
| 31 | 376,62 | 391,60 | 24B-1-31-P | 24,1 | 30 | 24B-2-31-P | 72,0 | 40 | 24B-3-31-P | 120,3 | 40 |
| 32 | 388,69 | 403,70 | 24B-1-32-P | 24,1 | 30 | 24B-2-32-P | 72,0 | 40 | 24B-3-32-P | 120,3 | 40 |
| 33 | 400,81 | 415,80 | 24B-1-33-P | 24,1 | 30 | 24B-2-33-P | 72,0 | 40 | 24B-3-33-P | 120,3 | 40 |
| 34 | 412,93 | 427,80 | 24B-1-34-P | 24,1 | 30 | 24B-2-34-P | 72,0 | 40 | 24B-3-34-P | 120,3 | 40 |
| 35 | 425,04 | 440,00 | 24B-1-35-P | 24,1 | 30 | 24B-2-35-P | 72,0 | 40 | 24B-3-35-P | 120,3 | 40 |
| 36 | 437,16 | 452,00 | 24B-1-36-P | 24,1 | 30 | 24B-2-36-P | 72,0 | 40 | 24B-3-36-P | 120,3 | 40 |
| 37 | 449,27 | 464,20 | 24B-1-37-P | 24,1 | 30 | 24B-2-37-P | 72,0 | 40 | 24B-3-37-P | 120,3 | 40 |
| 38 | 461,39 | 476,20 | 24B-1-38-P | 24,1 | 30 | 24B-2-38-P | 72,0 | 40 | 24B-3-38-P | 120,3 | 40 |
| 39 | 473,50 | 488,50 | 24B-1-39-P | 24,1 | 30 | 24B-2-39-P | 72,0 | 40 | 24B-3-39-P | 120,3 | 40 |
| 40 | 485,62 | 500,60 | 24B-1-40-P | 24,1 | 30 | 24B-2-40-P | 72,0 | 40 | 24B-3-40-P | 120,3 | 40 |
| 41 | 497,74 | 512,60 | 24B-1-41-P | 24,1 | 30 | - | - | - | - | - | - |
| 42 | 509,85 | 524,70 | 24B-1-42-P | 24,1 | 30 | 24B-2-42-P | 72,0 | 40 | 24B-3-42-P | 120,3 | 40 |
| 43 | 521,97 | 536,80 | 24B-1-43-P | 24,1 | 30 | - | - | - | - | - | - |
| 44 | 534,08 | 549,00 | 24B-1-44-P | 24,1 | 30 | - | - | - | - | - | - |
| 45 | 546,20 | 561,20 | 24B-1-45-P | 24,1 | 30 | 24B-2-45-P | 72,0 | 40 | 24B-3-45-P | 120,3 | 40 |
| 46 | 558,32 | 573,30 | 24B-1-46-P | 24,1 | 30 | 24B-2-46-P | 72,0 | 40 | 24B-3-46-P | 120,3 | 40 |
| 47 | 570,43 | 585,40 | 24B-1-47-P | 24,1 | 30 | - | - | - | - | - | - |

Materiál/Material: ocel C43 / steel C43

Řetězová kola plochá

Plate Wheels

(1 1/2"x1") 24B



Řetěz/Chain 24B (1"1/2x1")

| | |
|------------------------------|---------|
| Rozteč/Pitch | 38,1 mm |
| Vnitřní šířka/Internal width | 25,4 mm |
| Průměr válečku/Roller d | 25,4 mm |
| Radius/Tooth radius r | 38 mm |
| Radius/Chamfer C | 4 mm |

Typ 24B - pro řetězy 24B (1"1/2x1") / for chains 24B (1"1/2x1") DIN 8187 - ISO/R 606

| Z Zubů Teeth | d ₀ [mm] | d _k [mm] | Jednořadé - Single | | | Dvouřadé - Duplex | | | Trojřadé - Triplex | | |
|--------------------|------------------------|------------------------|----------------------------|-------------------------|------------------------|----------------------------|-------------------------|------------------------|----------------------------|-------------------------|------------------------|
| | | | Označ.- Obj.č. Part.No. | bf ₁ [mm] | d ₁ [mm] | Označ.- Obj.č. Part.No. | bf ₂ [mm] | d ₁ [mm] | Označ.- Obj.č. Part.No. | bf ₃ [mm] | d ₁ [mm] |
| 48 | 582,55 | 597,40 | 24B-1-48-P | 24,1 | 30 | 24B-2-48-P | 72,0 | 40 | 24B-3-48-P | 120,3 | 40 |
| 49 | 594,66 | 609,50 | 24B-1-49-P | 24,1 | 30 | - | - | - | - | - | - |
| 50 | 606,78 | 621,70 | 24B-1-50-P | 24,1 | 30 | 24B-2-50-P | 72,0 | 40 | 24B-3-50-P | 120,3 | 40 |
| 51 | 618,89 | 633,80 | 24B-1-51-P | 24,1 | 30 | - | - | - | - | - | - |
| 52 | 631,01 | 646,00 | 24B-1-52-P | 24,1 | 30 | - | - | - | - | - | - |
| 53 | 643,13 | 658,00 | 24B-1-53-P | 24,1 | 30 | - | - | - | - | - | - |
| 54 | 655,25 | 670,20 | 24B-1-54-P | 24,1 | 30 | - | - | - | - | - | - |
| 55 | 667,40 | 682,30 | 24B-1-55-P | 24,1 | 30 | 24B-2-55-P | 72,0 | 40 | 24B-3-55-P | 120,3 | 40 |
| 56 | 679,50 | 694,40 | 24B-1-56-P | 24,1 | 30 | - | - | - | - | - | - |
| 57 | 691,73 | 706,50 | 24B-1-57-P | 24,1 | 30 | 24B-2-57-P | 72,0 | 40 | 24B-3-57-P | 120,3 | 40 |
| 58 | 703,74 | 718,60 | 24B-1-58-P | 24,1 | 30 | - | - | - | - | - | - |
| 59 | 715,86 | 730,70 | 24B-1-59-P | 24,1 | 30 | - | - | - | - | - | - |
| 60 | 727,97 | 742,80 | 24B-1-60-P | 24,1 | 30 | 24B-2-60-P | 72,0 | 40 | 24B-3-60-P | 120,3 | 40 |
| 62 | 752,24 | 767,20 | 24B-1-62-P | 24,1 | 40 | - | - | - | - | - | - |
| 64 | 776,48 | 791,30 | 24B-1-64-P | 24,1 | 40 | - | - | - | - | - | - |
| 65 | 788,59 | 803,40 | 24B-1-65-P | 24,1 | 40 | 24B-2-65-P | 72,0 | 40 | 24B-3-65-P | 120,3 | 40 |
| 66 | 800,17 | 815,60 | 24B-1-66-P | 24,1 | 40 | - | - | - | - | - | - |
| 68 | 824,98 | 839,80 | 24B-1-68-P | 24,1 | 40 | - | - | - | - | - | - |
| 70 | 849,21 | 864,20 | 24B-1-70-P | 24,1 | 40 | - | - | - | - | - | - |
| 72 | 873,48 | 888,40 | 24B-1-72-P | 24,1 | 40 | - | - | - | - | - | - |
| 75 | 909,83 | 924,80 | 24B-1-75-P | 24,1 | 40 | - | - | - | - | - | - |
| 76 | 921,98 | 936,90 | 24B-1-76-P | 24,1 | 40 | 24B-2-76-P | 72,0 | 40 | 24B-3-76-P | 120,3 | 40 |
| 80 | 970,44 | 985,40 | 24B-1-80-P | 24,1 | 40 | - | - | - | - | - | - |
| 85 | 1031,10 | 1046,00 | 24B-1-85-P | 24,1 | 40 | - | - | - | - | - | - |
| 95 | 1152,33 | 1167,30 | 24B-1-95-P | 24,1 | 40 | - | - | - | - | - | - |

Materiál/Material: ocel C43 / steel C43

Nestandardní rozměry na poptávku/Non-standard dimensions on demand