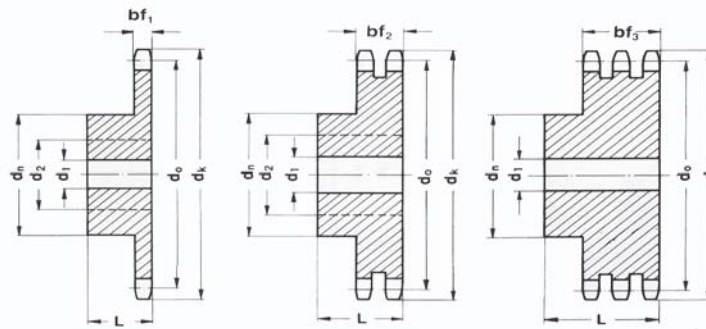


# Řetězová kola s nábojem

Sprockets

# (1/2"x5/16") 08B



### Řetěz/Chain 08B (1/2"x5/16")

Rozteč/Pitch	12,7 mm
Vnitřní šířka/Internal width	7,75 mm
Průměr válečku/Roller d	8,51 mm
Radius/Tooth radius r	13 mm
Radius/Chamfer C	1 mm

### Typ 08B - pro řetězy 08B (1/2"x5/16") / for chains 08B (1/2"x5/16") DIN 8187 - ISO/R 606

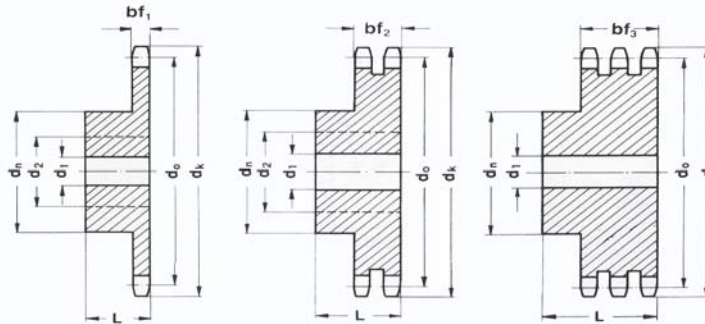
Z Zubů Teeth	d <sub>0</sub> [mm]	d <sub>k</sub> [mm]	Jednořadé - Single				Dvouřadé - Duplex				Trojřadé - Triplex						
			Označ.-Obj.č. Part.No.	bf <sub>1</sub> [mm]	dn <sub>1</sub> [mm]	d <sub>1</sub> [mm]	L <sub>1</sub> [mm]	Označ.-Obj.č. Part.No.	bf <sub>2</sub> [mm]	dn <sub>2</sub> [mm]	d <sub>1</sub> [mm]	L <sub>2</sub> [mm]	Označ.-Obj.č. Part.No.	bf <sub>3</sub> [mm]	dn <sub>3</sub> [mm]	d <sub>1</sub> [mm]	L <sub>3</sub> [mm]
8	33,18	37,20	08B-1-08-N	7,2	20	10	25	08B-2-08-N	21,0	20	10	32	08B-3-08-N	34,9	20	10	46
9	37,13	41,00	08B-1-09-N	7,2	24	10	25	08B-2-09-N	21,0	24	10	32	08B-3-09-N	34,9	24	12	46
10	41,10	45,20	08B-1-10-N	7,2	26	10	25	08B-2-10-N	21,0	28	10	32	08B-3-10-N	34,9	28	12	46
11	45,07	48,70	08B-1-11-N	7,2	29	10	25	08B-2-11-N	21,0	32	12	35	08B-3-11-N	34,9	32	14	50
12	49,07	53,00	08B-1-12-N	7,2	33	10	28	08B-2-12-N	21,0	35	12	35	08B-3-12-N	34,9	35	14	50
13	53,06	57,40	08B-1-13-N	7,2	37	10	28	08B-2-13-N	21,0	38	12	35	08B-3-13-N	34,9	38	14	50
14	57,07	61,80	08B-1-14-N	7,2	41	10	28	08B-2-14-N	21,0	42	12	35	08B-3-14-N	34,9	42	14	50
15	61,09	65,50	08B-1-15-N	7,2	45	10	28	08B-2-15-N	21,0	46	12	35	08B-3-15-N	34,9	46	14	50
16	65,10	69,50	08B-1-16-N	7,2	50	12	28	08B-2-16-N	21,0	50	14	35	08B-3-16-N	34,9	50	16	50
17	69,11	73,60	08B-1-17-N	7,2	52	12	28	08B-2-17-N	21,0	54	14	35	08B-3-17-N	34,9	54	16	50
18	73,14	77,80	08B-1-18-N	7,2	56	12	28	08B-2-18-N	21,0	58	14	35	08B-3-18-N	34,9	58	16	50
19	77,16	81,70	08B-1-19-N	7,2	60	12	28	08B-2-19-N	21,0	62	14	35	08B-3-19-N	34,9	62	16	50
20	81,19	85,80	08B-1-20-N	7,2	64	12	28	08B-2-20-N	21,0	66	14	35	08B-3-20-N	34,9	66	16	50
21	85,22	89,70	08B-1-21-N	7,2	68	14	28	08B-2-21-N	21,0	70	16	40	08B-3-21-N	34,9	70	20	55
22	89,24	93,80	08B-1-22-N	7,2	70	14	28	08B-2-22-N	21,0	70	16	40	08B-3-22-N	34,9	70	20	55
23	93,27	98,20	08B-1-23-N	7,2	70	14	28	08B-2-23-N	21,0	70	16	40	08B-3-23-N	34,9	70	20	55
24	97,29	101,80	08B-1-24-N	7,2	70	14	28	08B-2-24-N	21,0	75	16	40	08B-3-24-N	34,9	75	20	55
25	101,33	105,80	08B-1-25-N	7,2	70	14	28	08B-2-25-N	21,0	80	16	40	08B-3-25-N	34,9	80	20	55
26	105,36	110,00	08B-1-26-N	7,2	70	16	30	08B-2-26-N	21,0	85	20	40	08B-3-26-N	34,9	85	20	55
27	109,40	114,00	08B-1-27-N	7,2	70	16	30	08B-2-27-N	21,0	85	20	40	08B-3-27-N	34,9	85	20	55
28	113,42	118,00	08B-1-28-N	7,2	70	16	30	08B-2-28-N	21,0	90	20	40	08B-3-28-N	34,9	90	20	55
29	117,46	122,00	08B-1-29-N	7,2	80	16	30	08B-2-29-N	21,0	95	20	40	08B-3-29-N	34,9	95	20	55
30	121,50	126,10	08B-1-30-N	7,2	80	16	30	08B-2-30-N	21,0	100	20	40	08B-3-30-N	34,9	100	20	55
31	125,54	130,20	08B-1-31-N	7,2	90	16	30	08B-2-31-N	21,0	100	20	40	08B-3-31-N	34,9	110	20	55
32	129,56	134,30	08B-1-32-N	7,2	90	16	30	08B-2-32-N	21,0	100	20	40	08B-3-32-N	34,9	110	20	55
33	133,60	138,40	08B-1-33-N	7,2	90	16	30	08B-2-33-N	21,0	100	20	40	08B-3-33-N	34,9	110	20	55
34	137,64	142,60	08B-1-34-N	7,2	90	16	30	08B-2-34-N	21,0	100	20	40	08B-3-34-N	34,9	110	20	55
35	141,68	146,70	08B-1-35-N	7,2	90	16	30	08B-2-35-N	21,0	100	20	40	08B-3-35-N	34,9	110	20	55
36	145,72	151,00	08B-1-36-N	7,2	90	16	35	08B-2-36-N	21,0	110	20	40	08B-3-36-N	34,9	120	25	55
37	149,76	154,60	08B-1-37-N	7,2	90	16	35	08B-2-37-N	21,0	110	20	40	08B-3-37-N	34,9	120	25	55
38	153,80	158,60	08B-1-38-N	7,2	90	16	35	08B-2-38-N	21,0	110	20	40	08B-3-38-N	34,9	120	25	55
39	157,83	162,70	08B-1-39-N	7,2	90	16	35	08B-2-39-N	21,0	110	20	40	08B-3-39-N	34,9	120	25	55
40	161,87	166,80	08B-1-40-N	7,2	90	16	35	08B-2-40-N	21,0	110	20	40	08B-3-40-N	34,9	120	25	55
41	165,91	171,40	08B-1-41-N	7,2	90	16	35	08B-2-41-N	21,0	110	20	40	-	-	-	-	-
42	169,95	175,40	08B-1-42-N	7,2	90	16	35	08B-2-42-N	21,0	110	20	40	08B-3-42-N	34,9	120	25	55
43	173,99	179,70	08B-1-43-N	7,2	90	16	35	08B-2-43-N	21,0	110	20	40	-	-	-	-	-
44	178,03	183,80	08B-1-44-N	7,2	90	16	35	08B-2-44-N	21,0	110	20	40	-	-	-	-	-
45	182,07	188,00	08B-1-45-N	7,2	90	16	35	08B-2-45-N	21,0	110	20	40	08B-3-45-N	34,9	120	25	55
46	186,10	192,10	08B-1-46-N	7,2	90	16	35	08B-2-46-N	21,0	110	20	40	08B-3-46-N	34,9	120	25	55
47	190,14	196,20	08B-1-47-N	7,2	90	16	35	08B-2-47-N	21,0	110	20	40	-	-	-	-	-

Material/Material: ocel C45 / steel C45

# Řetězová kola s nábojem

## Sprockets

# (1/2"x5/16") 08B



### Řetěz/Chain 08B (1/2"x5/16")

Rozeč/Pitch 12,7 mm

Vnitřní šířka/Internal width 7,75 mm

Průměr válečku/Roller d 8,51 mm

Radius/Tooth radius r mm

Radius/Chamfer C mm

### Typ 08B - pro řetězy 08B (1/2"x5/16") / for chains 08B (1/2"x5/16") DIN 8187 - ISO/R 606

Z Zubů Teeth	d <sub>0</sub> [mm]	d <sub>k</sub> [mm]	Jednořadé - Single				Dvouřadé - Duplex				Trojřadé - Triplex						
			Označ.-Obj.č. Part.No.	bf <sub>1</sub> [mm]	dn <sub>1</sub> [mm]	d <sub>1</sub> [mm]	L <sub>1</sub> [mm]	Označ.-Obj.č. Part.No.	bf <sub>2</sub> [mm]	dn <sub>2</sub> [mm]	d <sub>1</sub> [mm]	L <sub>2</sub> [mm]	Označ.-Obj.č. Part.No.	bf <sub>3</sub> [mm]	dn <sub>3</sub> [mm]	d <sub>1</sub> [mm]	L <sub>3</sub> [mm]
48	194,18	200,30	08B-1-48-N	7,2	90	16	35	08B-2-48-N	21,0	110	20	40	08B-3-48-N	34,9	120	25	55
49	198,22	204,30	08B-1-49-N	7,2	90	16	35	08B-2-49-N	21,0	110	20	40	-	-	-	-	-
50	202,26	208,30	08B-1-50-N	7,2	90	16	35	08B-2-50-N	21,0	110	20	40	08B-3-50-N	34,9	120	25	55
51	206,30	212,10	08B-1-51-N	7,2	90	16	35	08B-2-51-N	21,0	110	20	40	-	-	-	-	-
52	210,34	216,10	08B-1-52-N	7,2	90	16	35	08B-2-52-N	21,0	110	20	40	-	-	-	-	-
53	214,37	220,20	08B-1-53-N	7,2	90	16	35	-	-	-	-	-	-	-	-	-	-
54	318,43	224,10	08B-1-54-N	7,2	90	16	35	08B-2-54-N	21,0	110	20	40	-	-	-	-	-
55	222,46	228,10	08B-1-55-N	7,2	90	16	35	08B-2-55-N	21,0	110	20	40	-	-	-	-	-
56	226,50	232,20	08B-1-56-N	7,2	90	16	35	08B-2-56-N	21,0	110	20	40	-	-	-	-	-
57	230,54	236,40	08B-1-57-N	7,2	90	16	35	08B-2-57-N	21,0	110	20	40	08B-3-57-N	34,9	120	25	55
58	234,58	240,50	08B-1-58-N	7,2	90	16	35	08B-2-58-N	21,0	110	20	40	08B-3-58-N	34,9	120	25	55
59	238,62	244,50	08B-1-59-N	7,2	90	16	35	08B-2-59-N	21,0	110	20	40	-	-	-	-	-
60	242,66	248,60	08B-1-60-N	7,2	90	16	35	08B-2-60-N	21,0	110	20	40	08B-3-60-N	34,9	120	25	55
62	250,76	256,90	08B-1-62-N	7,2	90	16	35	08B-2-62-N	21,0	110	20	40	-	-	-	-	-
63			08B-1-63-N	7,2	90	16	35	-	-	-	-	-	-	-	-	-	-
64	258,82	265,10	08B-1-64-N	7,2	90	16	35	08B-2-64-N	21,0	110	20	40	08B-3-64-N	34,9	120	25	55
65	262,86	269,00	08B-1-65-N	7,2	90	16	35	08B-2-65-N	21,0	110	20	40	-	-	-	-	-
66	266,90	273,00	08B-1-66-N	7,2	90	16	35	08B-2-66-N	21,0	110	20	40	-	-	-	-	-
68	274,99	281,00	08B-1-68-N	7,2	90	16	35	08B-2-68-N	21,0	110	20	40	-	-	-	-	-
70	283,07	289,00	08B-1-70-N	7,2	90	16	35	-	-	-	-	-	-	-	-	-	-
72	291,16	297,20	-	-	-	-	-	08B-2-72-N	21,0	110	20	40	08B-3-72-N	34,9			
75	303,27	309,20	08B-1-75-N	7,2	90	16	35	-	-	-	-	-	-	-	-	-	-
76	307,33	313,30	08B-1-76-N	7,2	90	16	35	08B-2-76-N	21,0	110	20	40	-	-	-	-	-
78	315,40	321,40	08B-1-78-N	7,2	90	16	35	-	-	-	-	-	-	-	-	-	-
80	323,48	329,40	08B-1-80-N	7,2	90	16	35	08B-2-80-N	21,0	110	20	40	-	-	-	-	-
85	343,70	349,00	08B-1-85-N	7,2	90	16	35	-	-	-	-	-	-	-	-	-	-
90	363,90	369,90	08B-1-90-N	7,2	90	16	35	08B-2-90-N	21,0	110	20	40	-	-	-	-	-
95	384,11	390,10	08B-1-95-N	7,2	90	16	35	-	-	-	-	-	08B-3-95-N	34,9	120	25	55
100	404,31	410,30	08B-1-100-N	7,2	90	16	35	-	-	-	-	-	-	-	-	-	-
110	444,74	450,70	08B-1-110-N	7,2	90	16	35	08B-2-95-N	21,0	110	20	40	-	-	-	-	-
114	460,90	466,90	08B-1-114-N	7,2	90	16	35	08B-2-100-N	21,0	110	20	40	-	-	-	-	-
120	485,16	491,20	08B-1-120-N	7,2	90	16	35	08B-2-114-N	21,0	110	20	40	-	-	-	-	-
125	505,37	511,30	08B-1-125-N	7,2	90	16	35	-	-	-	-	-	-	-	-	-	-

Materiál/Material: ocel C45 / steel C45

Nestandardní rozměry na poptávku/Non-standard dimensions on demand