

KNA 44

Description

Product group	Piston seal
Design	NA asymmetrical u-ring with outer main sealing lip
Profile no.	44
Specification	E suitable for one-sided pressure load
Seal material	PTFE 00 9808
Spring material	Stainless steel 1.4310 (DIN EN 10088-1)

Operational application limits

Pressure (MPa):	≤35
Temperature (°C):	-150 to +250
Running speed (m/s):	≤15

Media

Hydraulic oils of all types, hot air, water steam. PTFE is resistant to most chemicals.

Function

The u-ring KNA 44 is a single-acting PTFE seal in the form of an outer sealing u-ring. The steel V-spring activates the sealing lip permanently so that even in a non-pressurized state, good sealing performance is guaranteed.

Installation

We recommend axially accessible installation housings. For a limited size range, semi-open installation housings are also possible (see Installation page 5).

Remarks

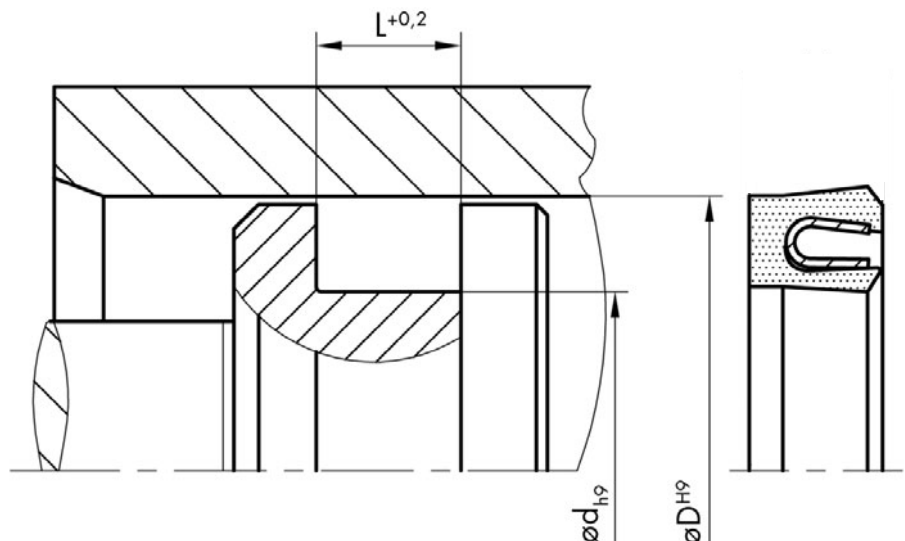
Due to the asymmetrical sealing lip, the sealing is optimised, the friction behaviour is improved and the service life considerably lengthened. The standard KNA 44 is provided in the adjoining material combination. For special applications, additional PTFE compounds and V-springs made of Elgiloy® are available (see Materials selection on page 16).

Order code

Please include our item numbers in your order. Should you require non-standard dimensions, materials or material combinations, please use the order code on page 12.

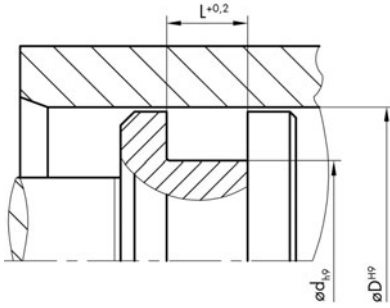
Any seal. Any time.

All the items in our standard programme (marked red) are standard stock items. For all other items, please check the availability at www.dichtomatik.de.



KNA 44**Sizes**

Item No.	Code	D	d	L
158221	KNA 44 E	6.6	3.7	2.4
158223	KNA 44 E	7.7	4.8	2.4
108753	KNA 44 E	8	5.1	2.4
110615	KNA 44 E	9.52	6.62	2.4
127854	KNA 44 E	10	4.6	3.44
108754	KNA 44 E	10	7.1	2.4
110546	KNA 44 E	12	9.1	2.4
158025	KNA 44 E	12.4	9.5	2.4
110616	KNA 44 E	12.7	9.8	2.4
110547	KNA 44 E	14	9.5	3.6
158024	KNA 44 E	14.2	11.3	2.4
110548	KNA 44 E	15	10.5	3.6
158224	KNA 44 E	15.7	12.8	2.4
110549	KNA 44 E	16	11.5	3.6
158222	KNA 44 E	16.2	13.3	2.4
110550	KNA 44 E	17	12.5	3.6
110551	KNA 44 E	18	13.5	3.6
110552	KNA 44 E	20	15.5	3.6
124791	KNA 44 E	21	16.5	3.6
110553	KNA 44 E	22	17.5	3.6
120686	KNA 44 E	22.5	16	4.8
110554	KNA 44 E	25	18.8	4.8
110556	KNA 44 E	28	21.8	4.8
156847	KNA 44 E	28	21.8	4.8
110557	KNA 44 E	30	23.8	4.8
110558	KNA 44 E	32	25.8	4.8
150976	KNA 44 E	32	27.5	3.6
110559	KNA 44 E	35	28.8	4.8
126817	KNA 44 E	38.1	33.5	3.5
110560	KNA 44 E	40	33.8	4.8
110561	KNA 44 E	42	35.8	4.8
110563	KNA 44 E	45	38.8	4.8
132623	KNA 44 E	46	36.6	7.1
130500	KNA 44 E	46	39.8	4.8
110564	KNA 44 E	48	38.6	7.1
110565	KNA 44 E	50	40.6	7.1
118782	KNA 44 E	50.8	41.4	7.1
110566	KNA 44 E	52	42.6	7.1
110567	KNA 44 E	54	44.6	7.1
110568	KNA 44 E	55	45.6	7.1
110569	KNA 44 E	56	46.6	7.1
156861	KNA 44 E	57	52	3.2
110570	KNA 44 E	60	50.6	7.1
89959	KNA 44 E	63	53.6	7.1
110571	KNA 44 E	65	55.6	7.1
110572	KNA 44 E	68	58.6	7.1
110573	KNA 44 E	70	60.6	7.1
47585	KNA 44 E	73	63.6	7.1
110574	KNA 44 E	75	65.6	7.1
110576	KNA 44 E	80	70.6	7.1
110577	KNA 44 E	85	75.6	7.1
156435	KNA 44 E	86	76.6	7.1
110578	KNA 44 E	90	80.6	7.1
110579	KNA 44 E	95	85.6	7.1
110580	KNA 44 E	100	90.6	7.1

KNA 44**Sizes**

Item No.	Code	D	d	L
144399	KNA 44 E	105	98.8	4.8
110582	KNA 44 E	110	100.6	7.1
110583	KNA 44 E	115	105.6	7.1
110584	KNA 44 E	120	110.6	7.1
110585	KNA 44 E	125	112.8	9.5
110586	KNA 44 E	130	117.8	9.5
110587	KNA 44 E	135	122.8	9.5
110588	KNA 44 E	140	127.8	9.5
110589	KNA 44 E	145	132.8	9.5
110590	KNA 44 E	150	137.8	9.5
110591	KNA 44 E	160	147.8	9.5
110592	KNA 44 E	170	157.8	9.5
110593	KNA 44 E	180	167.8	9.5
110594	KNA 44 E	185	172.8	9.5
110596	KNA 44 E	190	177.8	9.5
90377	KNA 44 E	200	187.8	9.5
126247	KNA 44 E	210	190	15
110604	KNA 44 E	300	287.8	9.5
159638	KNA 44 E	308	295.8	9.5
110607	KNA 44 E	350	337.8	9.5
110613	KNA 44 E	480	467.8	9.5