

KNA 16

Description

Product group	Piston seal
Design	NA asymmetrical u-ring with outer main sealing lip
Profile no.	16
Specification	E suitable for one-sided pressure load
Model	STFAH back-up ring with integrated outer guide element and retaining ring
Seal material	NBR 80 3002
Seal back	NBR fabric NBR F 90 3005
Back-up and guide element	POM
Retaining ring	POM

Operational application limits

Pressure (MPa):	≤50
Temperature (°C):	-30 to +100
Running speed (m/s):	≤0.5

Media

Hydraulic oils acc. to DIN 51524 Part 1 – 3, lubricating oils, mineral oil based lubricating greases, highly non-flammable hydraulic fluids HFA, HFB, HFC acc. to VDMA 24317

Function

The KNA 16 u-ring has a compact design which guarantees good sealing in low pressure areas. The KNA 16 compact seal is a single-acting seal combined with a back-up ring and guide element on the side facing away from the pressure and a retaining ring for the axial limitation of the installation housing on the side facing the pressure.

Installation

The enclosed retaining ring serves as security for the seal on the side facing the pressure and allows for a deformation-free installation of the complete sealing system on the piston.

Remarks

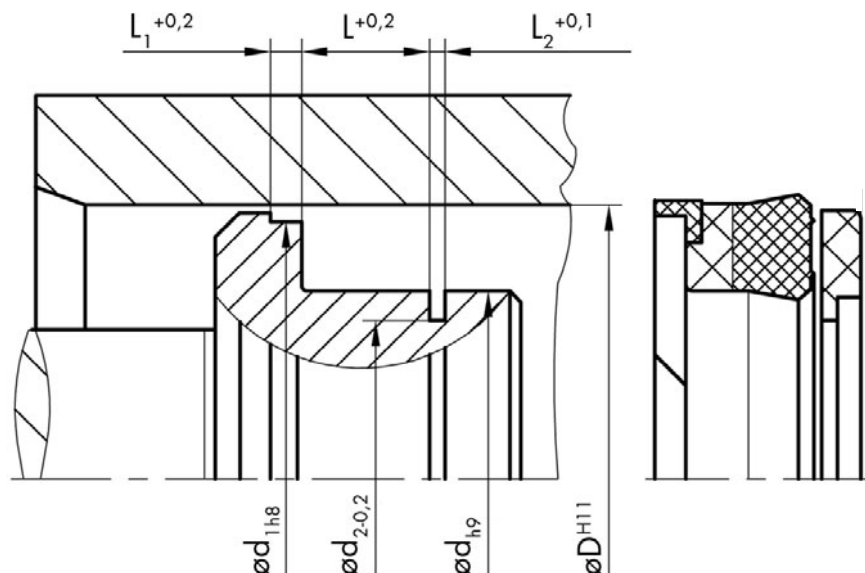
The advantage of the KNA 16 piston seal lies in the limited space requirement and its high resistance to gap extrusion.

Order code

Please include our item numbers in your order. Should you require non-standard dimensions, materials or material combinations, please use the order code on page 12.

Any seal. Any time.

All the items in our standard programme (marked red) are standard stock items. For all other items, please check the availability at www.dichtomatik.de.



KNA 16**Sizes**

Art.-No.	Code	D	d	L	L ₁	L ₂	d ₁	d ₂
173483	KNA 16 E STFAH	32	20	10	6.35	3.1	28.5	15.8
173484	KNA 16 E STFAH	35	22	10	6.35	3.1	31.4	17.8
173485	KNA 16 E STFAH	38	25	10	6.35	3.1	34.45	20.8
173486	KNA 16 E STFAH	40	26	9.4	6.35	3.1	35.4	21.6
173487	KNA 16 E STFAH	45	30	9.5	6.35	3.1	40.4	25.8
173488	KNA 16 E STFAH	45	35	8.5	6.35	3.1	42	30.8
173489	KNA 16 E STFAH	50	30	14.5	6.35	3.35	44.3	25.8
173490	KNA 16 E STFAH	55	40	11	6.35	3.1	50.4	35.8
173491	KNA 16 E STFAH	60	40	14.5	6.35	3.35	54.16	36.1
173492	KNA 16 E STFAH	63	45	11	6.35	3.1	58.4	40.84
173493	KNA 16 E STFAH	63.5	47.62	9.52	6.35	3.1	58.9	41.34
173494	KNA 16 E STFAH	65	45	14	6.35	3.35	59.3	40.6
173495	KNA 16 E STFAH	65	50	10.5	6.35	3.1	60.4	45.6
173496	KNA 16 E STFAH	70	50	14.5	6.35	3.35	64.2	45.84
173497	KNA 16 E STFAH	75	55	14.5	6.35	3.35	69.2	50.6
173498	KNA 16 E STFAH	80	60	14.5	6.35	3.35	74.3	55.8
173499	KNA 16 E STFAH	85	70	12	6.35	3.1	80.3	65.6
173500	KNA 16 E STFAH	90	70	14.5	6.35	3.35	84.15	66.1
173501	KNA 16 E STFAH	95	75	14.5	6.35	3.2	89.15	71
173502	KNA 16 E STFAH	100	80	14.5	6.35	3.35	94.15	75.84
173503	KNA 16 E STFAH	104.5	85	13	6.35	3.35	98.8	81.1
173504	KNA 16 E STFAH	105	85	14	6.35	3.35	99.42	80.6
173505	KNA 16 E STFAH	110	90	13	6.35	3.1	104.15	85.9
173506	KNA 16 E STFAH	115	95	14.5	6.35	3.35	109.9	90.5
173507	KNA 16 E STFAH	120	100	12.5	6.35	3.35	114.1	95.6
173508	KNA 16 E STFAH	125	105	12.5	6.35	3.35	119.15	101
173509	KNA 16 E STFAH	130	110	12	6.35	3.35	123.24	105.6
173510	KNA 16 E STFAH	150	125	14	6.35	3.35	143	120.6
173511	KNA 16 E STFAH	160	140	14	6.35	3.2	154.3	136
173512	KNA 16 E STFAH	200	180	14	6.35	3.1	194	175.6