

KN 05

Description

| | |
|---------------|--|
| Product group | Piston seal |
| Design | N symmetrical u-ring |
| Profile no. | 05 |
| Specification | E suitable for one- sided pressure load |

Materials:

| | |
|---------------|-----------------------------|
| Seal material | NBR 80 3002 |
| Seal back | NBR fabric NBR F 90 3005 |

Operational application limits

| | |
|----------------------|-------------|
| Pressure (MPa): | ≤20 |
| Temperature (°C): | -30 to +100 |
| Running speed (m/s): | ≤0.5 |

Media

Hydraulic oils acc. to DIN 51524
Part 1 – 3, lubricating oils, mineral oil
based lubricating greases, highly non-
flammable hydraulic fluids HFA, HFB,
HFC acc. to VDMA 24317

Function

The KN 05 u-ring has a compact
design which guarantees good sealing
in low pressure areas. The KN 05
compact seal is a single-acting seal
with a symmetrical profile which
enables its use as a piston seal as well
as a rod seal.

Installation

We generally recommend axially
accessible installation housings.

Remarks

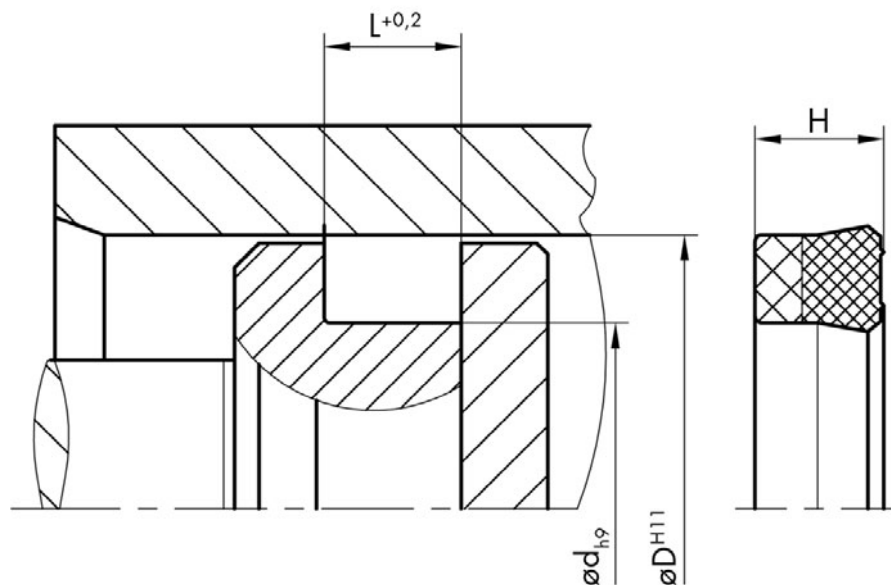
The KN 05 requires relatively small in-
stallation housings. Due to its compact
fabric back, intrusion into the extrusion
gap is prevented.

Order code

Please include our item numbers in
your order. Should you require non-
standard dimensions, materials or
material combinations, please use the
order code on page 12.

Any seal. Any time.

All the items in our standard programme
(marked red) are standard stock items.
For all other items, please check the
availability at www.dichtomatik.de.



KN 05**Sizes**

| Item No. | Code | D | d | L | H |
|----------|---------|-----|-----|------|------|
| 173715 | KN 05 E | 17 | 10 | 6.3 | 6 |
| 173717 | KN 05 E | 22 | 14 | 6.3 | 6 |
| 173718 | KN 05 E | 23 | 15 | 6.3 | 6 |
| 173719 | KN 05 E | 27 | 20 | 6.5 | 6.2 |
| 173720 | KN 05 E | 28 | 20 | 6.3 | 6 |
| 173721 | KN 05 E | 28 | 20 | 7 | 6.7 |
| 173722 | KN 05 E | 30 | 22 | 6.5 | 6.2 |
| 173748 | KN 05 E | 32 | 20 | 10 | 9.7 |
| 173750 | KN 05 E | 32 | 22 | 6 | 5.7 |
| 173752 | KN 05 E | 32 | 22 | 10 | 9.7 |
| 173723 | KN 05 E | 38 | 30 | 6 | 5.7 |
| 173724 | KN 05 E | 40 | 30 | 7 | 6.7 |
| 173725 | KN 05 E | 40 | 30 | 7.5 | 7.2 |
| 173754 | KN 05 E | 40 | 32 | 5.5 | 5.2 |
| 173756 | KN 05 E | 40 | 32 | 6 | 5.7 |
| 173726 | KN 05 E | 43 | 35 | 6 | 5.7 |
| 173727 | KN 05 E | 44 | 36 | 6.3 | 6 |
| 173728 | KN 05 E | 50 | 40 | 7 | 6.7 |
| 173758 | KN 05 E | 50 | 42 | 6 | 5.7 |
| 173729 | KN 05 E | 55 | 45 | 8 | 7.7 |
| 173730 | KN 05 E | 57 | 45 | 9.5 | 9.2 |
| 173760 | KN 05 E | 60 | 40 | 10 | 9.7 |
| 173762 | KN 05 E | 60 | 45 | 12 | 11.7 |
| 173731 | KN 05 E | 60 | 48 | 10 | 9.7 |
| 173764 | KN 05 E | 60 | 48 | 10.5 | 10.2 |
| 173766 | KN 05 E | 60 | 50 | 10 | 9.7 |
| 173732 | KN 05 E | 70 | 60 | 7.5 | 7.2 |
| 173733 | KN 05 E | 72 | 60 | 9.5 | 9.2 |
| 173734 | KN 05 E | 80 | 70 | 7.5 | 7.2 |
| 173735 | KN 05 E | 82 | 70 | 9 | 8.7 |
| 173736 | KN 05 E | 85 | 70 | 8 | 7.7 |
| 173768 | KN 05 E | 85 | 75 | 7.5 | 7.2 |
| 173737 | KN 05 E | 87 | 75 | 9.3 | 9 |
| 173738 | KN 05 E | 92 | 80 | 9 | 8.7 |
| 173739 | KN 05 E | 96 | 80 | 10 | 9.7 |
| 173770 | KN 05 E | 100 | 80 | 14 | 13.7 |
| 174291 | KN 05 E | 110 | 90 | 12.5 | 12.2 |
| 173740 | KN 05 E | 115 | 100 | 12 | 11.7 |
| 173741 | KN 05 E | 120 | 100 | 14 | 13.7 |
| 173742 | KN 05 E | 125 | 110 | 12 | 11.7 |
| 173743 | KN 05 E | 130 | 110 | 12 | 11.7 |