

KK 71

Description

Product group	Piston seal
Design	K compact seal
Profile no.	71
Specification	Z suitable for two-sided pressure load
Model	STA outer back-up ring
Seal material	PTFE 00 3001
Energising element-material	NBR 80 3001
Back-up rings	PA

Operational application limits

Pressure (MPa):	≤40
Temperature (°C):	-30 to +100
Running speed (m/s):	≤1.5

Media

Hydraulic oils acc. to DIN 51524 Part 1 – 3, lubricating oils, mineral oil based lubricating greases, highly non-flammable hydraulic fluids HFA, HFB, HFC acc. to VDMA 24317

Function

The KK 71 compact seal is a double-acting seal, combined with back-up rings made of PA. The PTFE seal body has a very low friction coefficient which ensures smooth running. The integrated back-up rings help to prevent gap extrusion.

Installation

This seal can generally be installed with the use of suitable installation tools in cut grooves. Subsequent calibration is necessary.

Remarks

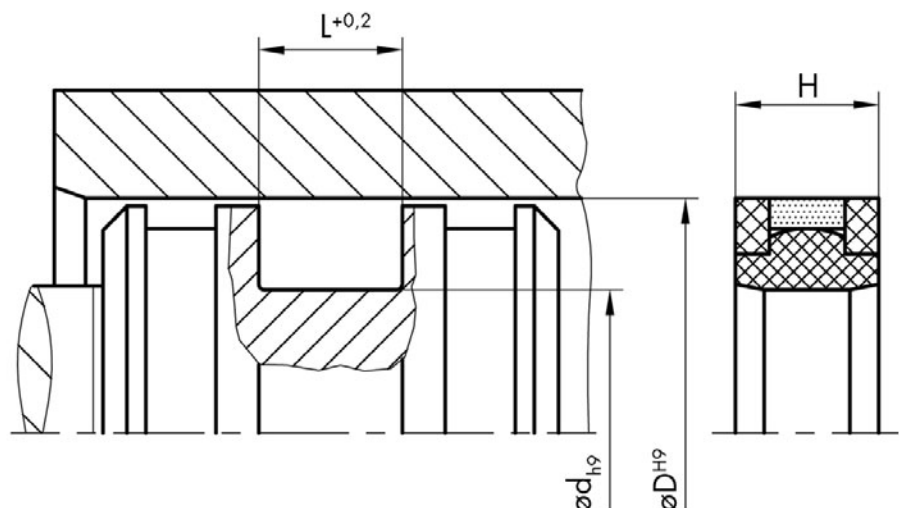
The KK 71 is a very space-saving seal that requires the provision of suitable guide elements. The customer also has the choice of a seal body made of Polyurethane. The KK 71 is used particularly in agricultural machines, mobile hydraulic platforms, ground conveyors and standard cylinders.

Order code

Please include our item numbers in your order. Should you require non-standard dimensions, materials or material combinations, please use the order code on page 12.

Any seal. Any time.

All the items in our standard programme (marked red) are standard stock items. For all other items, please check the availability at www.dichtomatik.de.



KK 71**Sizes**

Item No.	Code	D	d	L	H
174385	KK 71 Z STA	50	36	9	8.5
174386	KK 71 Z STA	55	41	9	8.5
174388	KK 71 Z STA	60	46	9	8.5
174389	KK 71 Z STA	60	50	8	7.5
174390	KK 71 Z STA	63	48	11	10.5
174392	KK 71 Z STA	65	50	11	10.5
174393	KK 71 Z STA	70	55	11	10.5
174394	KK 71 Z STA	75	60	11	10.5
174395	KK 71 Z STA	80	65	11	10.5
174396	KK 71 Z STA	85	70	11	10.5
174397	KK 71 Z STA	90	75	11	10.5
174398	KK 71 Z STA	95	80	11	10.5
174399	KK 71 Z STA	100	85	12.5	12
174401	KK 71 Z STA	105	90	12.5	12
173374	KK 71 Z STA	110	95	12.5	12
174402	KK 71 Z STA	115	100	12.5	12
174403	KK 71 Z STA	120	105	12.5	12
174404	KK 71 Z STA	125	102	16	15.5
174405	KK 71 Z STA	130	107	16	15.5
174406	KK 71 Z STA	135	112	16	15.5
174407	KK 71 Z STA	140	117	16	15.5
174408	KK 71 Z STA	145	122	16	15.5
174409	KK 71 Z STA	150	127	16	15.5
174410	KK 71 Z STA	150	135	12.5	12
174411	KK 71 Z STA	160	137	16	15.5
174412	KK 71 Z STA	165	142	16	15.5
174413	KK 71 Z STA	170	147	16	15.5
174414	KK 71 Z STA	170	155	16	15.5
174415	KK 71 Z STA	180	157	16	15.5
174416	KK 71 Z STA	190	167	16	15.5
174417	KK 71 Z STA	200	177	16	15.5
174418	KK 71 Z STA	200	180	16	15.5
174419	KK 71 Z STA	220	200	16	15.5
174420	KK 71 Z STA	225	202	16	15.5