

KK 03

Description

Product group	Piston seal
Design	K compact seal
Profile no.	03
Specification	Z suitable for two-sided pressure load
Model	STFA back-up ring with integrated outer guide element
Seal material	NBR 80 3002
Back-up rings	PE
Guide rings	POM

Operational application limits

Pressure (MPa):	≤40
Temperature (°C):	-30 to +100
Running speed (m/s):	≤0.5

Media

Hydraulic oils acc. to DIN 51524
Part 1 – 3, lubricating oils, mineral oil based lubricating greases, highly non-flammable hydraulic fluids HFA, HFB, HFC acc. to VDMA 24317

Function

The KK 03 compact seal is a double-acting seal combined with back-up and guide elements. The KK 03 guarantees a good sealing function – also in low pressure areas. Due to the integrated guide elements, the piston length can be reduced to save material.

Installation

The KK 03 can be installed in a one-piece piston without any problems, i.e. installed in closed installation housings.

Remarks

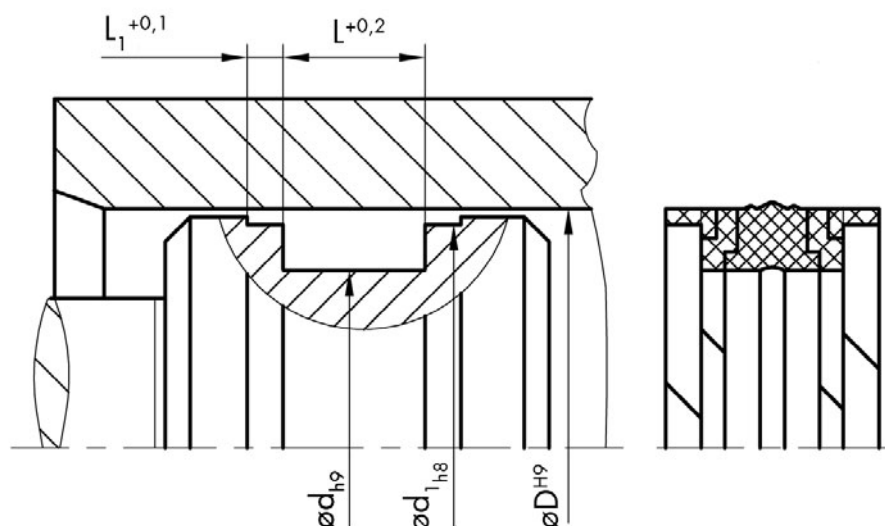
The KK 03 seal is frequently used across a wide range of applications. Simple installation and the possibility of economical piston manufacture are key attributes of this design. For special applications, the seal can also be supplied in different materials such as FKM etc.

Order code

Please include our item numbers in your order. Should you require non-standard dimensions, materials or material combinations, please use the order code on page 12.

Any seal. Any time.

All the items in our standard programme (marked red) are standard stock items. For all other items, please check the availability at www.dichtomatik.de.



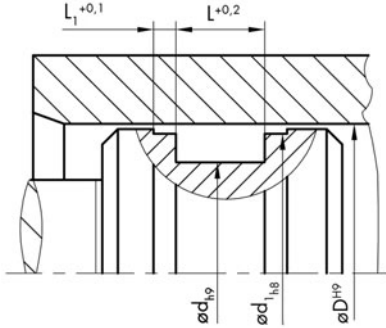
KK 03

Sizes

Item No.	Code	D	d	L	L ₁	d ₁
45016	KK 03 Z STFA	20	11	13.5	2.1	17
171391	KK 03 Z STFA	22	13	13.5	2.1	19
171392	KK 03 Z STFA	25	15	12	4	21
171393	KK 03 Z STFA	25	15	12.5	4	22
45018	KK 03 Z STFA	25	15	16.4	6.35	21.45
44395	KK 03 Z STFA	25	16	13.5	2.1	22
171394	KK 03 Z STFA	25	17	10	4	22
171395	KK 03 Z STFA	25	17	13.5	3.2	21
171396	KK 03 Z STFA	28	19	13.5	2.1	25
49162	KK 03 Z STFA	30	17	15.4	6.35	26.5
45020	KK 03 Z STFA	30	21	13.5	2.1	27
171397	KK 03 Z STFA	30	22	13.5	3.2	26
171398	KK 03 Z STFA	32	22	12.5	4	29
45021	KK 03 Z STFA	32	22	15.5	2.6	28
26286	KK 03 Z STFA	32	22	16.4	6.35	28.5
78846	KK 03 Z STFA	32	24	10	4	29
45022	KK 03 Z STFA	32	24	15.5	3.1	28
45024	KK 03 Z STFA	35	25	16.4	6.35	31.4
171400	KK 03 Z STFA	35	27	15.5	3.2	31
36075	KK 03 Z STFA	40	24	18.4	6.35	35.4
36269	KK 03 Z STFA	40	26	15.5	2.6	36
61809	KK 03 Z STFA	40	30	12.5	4	37
23003	KK 03 Z STFA	40	30	16.4	6.35	35.4
171402	KK 03 Z STFA	40	32	10	4	37
34845	KK 03 Z STFA	40	32	15.5	3.2	36
171370	KK 03 Z STFA	42	28	15.5	2.6	38
61814	KK 03 Z STFA	44.45	28.57	19.05	6.35	39.85
45027	KK 03 Z STFA	45	29	18.4	6.35	40.4
45028	KK 03 Z STFA	45	31	15.5	2.6	41
36076	KK 03 Z STFA	45	35	16.4	6.35	40.4
171371	KK 03 Z STFA	45	37	15.5	3.2	41
109	KK 03 Z STFA	50	34	18.4	6.35	45.4
36270	KK 03 Z STFA	50	34	20.5	3.1	46
78848	KK 03 Z STFA	50	35	20	5	46
34816	KK 03 Z STFA	50	38	20.5	4.2	46
78849	KK 03 Z STFA	50	40	12.5	4	47
61815	KK 03 Z STFA	50.8	34.92	19.05	6.35	46.23
171372	KK 03 Z STFA	50.8	41.27	11.1	3.81	46.27
110	KK 03 Z STFA	55	39	18.4	6.35	50.37
45029	KK 03 Z STFA	55	39	20.5	3.1	51
171373	KK 03 Z STFA	55	45	12.5	4	52
171374	KK 03 Z STFA	56	40	20.5	3.1	52
171267	KK 03 Z STFA	57.15	41.27	19.45	6.35	52.55
111	KK 03 Z STFA	60	44	18.4	6.35	55.4
45031	KK 03 Z STFA	60	44	20.5	3.1	56
35985	KK 03 Z STFA	60	48	20.5	4.2	56
171377	KK 03 Z STFA	60.32	44.45	19.05	6.35	55.72
44647	KK 03 Z STFA	63	47	18.4	6.35	58.39
112	KK 03 Z STFA	63	47	19.4	6.35	58.4
45032	KK 03 Z STFA	63	47	20.5	3.1	59
78851	KK 03 Z STFA	63	48	20	5	59
44648	KK 03 Z STFA	63	51	20.5	4.2	59
171379	KK 03 Z STFA	63	53	12.5	4	60
38199	KK 03 Z STFA	63.5	47.62	19.05	6.35	58.9
171380	KK 03 Z STFA	63.5	53.97	11.1	3.81	59.12

KK 03

Sizes



Item No.	Code	D	d	L	L ₁	d ₁
45033	KK 03 Z STFA	65	49	20.5	3.1	61
22326	KK 03 Z STFA	65	50	18.4	6.35	60.41
113	KK 03 Z STFA	70	50	22.4	6.35	64.2
44425	KK 03 Z STFA	70	54	20.5	3.1	66
171360	KK 03 Z STFA	70	55	20	5	66
35057	KK 03 Z STFA	70	58	20.5	4.2	66
22328	KK 03 Z STFA	75	55	22.4	6.35	69.2
61810	KK 03 Z STFA	75	59	20.5	3.1	71
61821	KK 03 Z STFA	76.2	57.15	23.81	6.35	70.38
114	KK 03 Z STFA	80	60	22.4	6.35	74.15
171382	KK 03 Z STFA	80	60	25	6.35	75
36271	KK 03 Z STFA	80	62	22.5	3.6	76
171383	KK 03 Z STFA	80	65	20	5	76
25993	KK 03 Z STFA	80	66	22.4	5.2	76
22329	KK 03 Z STFA	85	65	22.4	6.35	79.15
171362	KK 03 Z STFA	85	75	20	4	81
61822	KK 03 Z STFA	88.9	69.85	24.81	6.35	83.08
115	KK 03 Z STFA	90	70	22.4	6.35	84.15
45034	KK 03 Z STFA	90	72	22.5	3.2	86
171384	KK 03 Z STFA	90	75	20	5	86
24678	KK 03 Z STFA	90	76	22.4	5.2	86
38198	KK 03 Z STFA	95	75	22.4	6.35	89.15
116	KK 03 Z STFA	100	75	22.4	6.35	93.13
171363	KK 03 Z STFA	100	80	25	6.3	95
78858	KK 03 Z STFA	100	80	25.4	6.35	95
44649	KK 03 Z STFA	100	82	22.5	3.6	96
78859	KK 03 Z STFA	100	85	20	5	96
24679	KK 03 Z STFA	100	86	22.4	5.2	96
76422	KK 03 Z STFA	101.6	82.55	23.81	6.35	95.76
44812	KK 03 Z STFA	105	80	22.4	6.5	98.1
117	KK 03 Z STFA	110	85	22.4	6.35	103.1
171385	KK 03 Z STFA	110	85	25.4	6.35	103.1
171386	KK 03 Z STFA	110	90	25.3	9.52	102.6
126130	KK 03 Z STFA	110	90	25.4	6.4	104.1
45035	KK 03 Z STFA	110	92	22.5	3.6	106
171387	KK 03 Z STFA	110	95	20	5	105
45003	KK 03 Z STFA	110	96	22.4	5.2	106
78953	KK 03 Z STFA	114.3	88.9	31.75	6.35	107.42
22323	KK 03 Z STFA	115	90	22.4	6.35	108.1
45036	KK 03 Z STFA	115	97	22.4	4.2	111
22324	KK 03 Z STFA	120	95	22.4	6.35	113.1
24680	KK 03 Z STFA	120	106	22.4	5.2	116
118	KK 03 Z STFA	125	100	25.4	6.35	118.1
171389	KK 03 Z STFA	125	100	32	6.35	118.1
44783	KK 03 Z STFA	125	103	26.5	5.1	121
171365	KK 03 Z STFA	125	105	25	6.35	119.1
64733	KK 03 Z STFA	125	105	25.4	6.35	120
25396	KK 03 Z STFA	125	108	26.5	7.2	121
22325	KK 03 Z STFA	130	105	25.4	6.35	123.1
61785	KK 03 Z STFA	135	110	25.4	9.52	127.6
78956	KK 03 Z STFA	139.7	114.3	31.75	9.52	132.41
61786	KK 03 Z STFA	140	115	25.4	9.52	132.1
119	KK 03 Z STFA	140	115	25.4	6.35	133
45037	KK 03 Z STFA	140	118	26.5	5.1	136
171403	KK 03 Z STFA	140	120	25	6.35	135

KK 03

Sizes

Item No.	Code	D	d	L	L ₁	d ₁
26573	KK 03 Z STFA	140	123	26.5	7.2	136
45038	KK 03 Z STFA	145	120	25.4	9.52	137.6
61787	KK 03 Z STFA	145	120	25.4	6.35	138.3
61788	KK 03 Z STFA	150	125	25.4	9.5	142.6
120	KK 03 Z STFA	150	125	25.4	6.35	143
45039	KK 03 Z STFA	150	128	26.5	5.1	146
171366	KK 03 Z STFA	150	130	25.4	6.35	144.1
171404	KK 03 Z STFA	150	133	26.5	7.2	146
74777	KK 03 Z STFA	152.4	127	31.75	9.52	145
45040	KK 03 Z STFA	155	130	25.4	9.52	147.6
61789	KK 03 Z STFA	155	130	25.4	6.35	148
22327	KK 03 Z STFA	160	130	25.4	9.52	152.6
77277	KK 03 Z STFA	160	130	25.4	6.35	153
121	KK 03 Z STFA	160	135	25.4	9.52	152.6
171368	KK 03 Z STFA	160	135	32	10	154
45041	KK 03 Z STFA	160	138	26.5	5.1	156
171405	KK 03 Z STFA	160	140	25	6.35	155
26187	KK 03 Z STFA	160	143	26.5	7.2	156
45042	KK 03 Z STFA	165	140	25.4	9.52	157.6
39361	KK 03 Z STFA	170	145	25.4	12.7	161.72
45043	KK 03 Z STFA	170	148	26.5	5.1	166
171407	KK 03 Z STFA	175	150	25.4	12.7	166.7
76076	KK 03 Z STFA	177.8	152.4	31.75	9.52	170.51
37858	KK 03 Z STFA	180	150	35.4	6.35	172.95
122	KK 03 Z STFA	180	155	25.4	12.7	171.72
78842	KK 03 Z STFA	180	158	26.5	5.1	176
78837	KK 03 Z STFA	180	163	26.5	7.2	176
45045	KK 03 Z STFA	185	160	25.4	12.7	176.72
26535	KK 03 Z STFA	190	165	25.4	12.7	181.72
45046	KK 03 Z STFA	195	170	25.4	12.7	187.1
78870	KK 03 Z STFA	200	170	35.4	6.35	193
171369	KK 03 Z STFA	200	170	36	6.35	192
123	KK 03 Z STFA	200	175	25.4	12.7	191.62
84116	KK 03 Z STFA	200	175	31.5	6.6	196
78838	KK 03 Z STFA	200	180	31.5	9.2	196
45047	KK 03 Z STFA	210	185	25.4	12.7	201.62
34685	KK 03 Z STFA	220	190	35.4	6.35	212.7
39370	KK 03 Z STFA	220	195	25.4	12.7	211.6
78839	KK 03 Z STFA	220	200	31.5	9.2	216
78871	KK 03 Z STFA	225	200	25.4	12.7	216.62
45048	KK 03 Z STFA	230	205	25.4	12.7	221.62
45049	KK 03 Z STFA	240	215	25.4	12.7	231.62
27709	KK 03 Z STFA	250	220	35.4	6.35	242.9
45050	KK 03 Z STFA	250	225	25.4	12.7	241.62
78840	KK 03 Z STFA	250	230	31.5	9.2	246
78874	KK 03 Z STFA	280	250	35.4	9.52	272.9
149999	KK 03 Z STFA	280	250	36.4	10	273