

KDS 01

Description

Product group	Piston seal
Design	DS V-packing set
Profile no.	01
Specification	E suitable for one-sided pressure load
Model	1/0 combination of fabric and elastomer ring
Seal material	NBR fabric NBR F 90 3005
Support ring	NBR fabric
Pressure ring	POM

Operational application limits

Pressure (MPa):	≤40
Temperature (°C):	-30 to +100
Running speed (m/s):	≤0.5

Media

Hydraulic oils acc. to DIN 51524 Part 1 – 3, lubricating oils, mineral oil based lubricating greases, highly non-flammable hydraulic fluids HFA, HFB, HFC acc. to VDMA 24317

Function

The V-packing set KDS 01 1/0 is a sealing system with one V-packing made of NBR fabric. The combination KDS 01 is a sealing system which is pressure supported and attains very low leakage rates.

Installation

The installation must be done in open installation housings, i.e. the piston must be split so that the sealing sets can be installed deformation-free. The elements are always installed separately in the seal housing. For applications in double acting cylinders, it is important that the V-packing sets have axial space ($L > H$).

Remarks

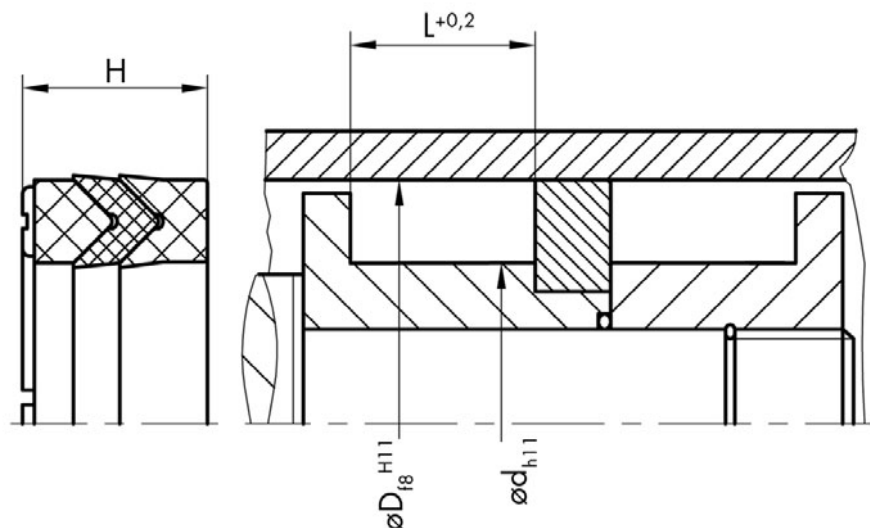
For piston sealing, the combination 1/0 is used as a V-packing set, as a rule. If required, all other combinations are possible (see section SDS 01). For special applications, individual V-packings can be supplied made of different materials e.g. the support rings made of a PTFE-Bronze compound.

Order code

Please include our item numbers in your order. Should you require non-standard dimensions, materials or material combinations, please use the order code on page 12.

Any seal. Any time.

All the items in our standard programme (marked red) are standard stock items. For all other items, please check the availability at www.dichtomatik.de.



KDS 01**Sizes**

Item No.	Code	D	d	L	H
77285	KDS 01 E 1/0	20	10	9.3	8.9
77286	KDS 01 E 1/0	22	12	9.3	8.9
77287	KDS 01 E 1/0	25	15	9.3	8.9
77288	KDS 01 E 1/0	28	18	9.3	8.9
77289	KDS 01 E 1/0	32	20	10.9	10.4
77290	KDS 01 E 1/0	35	23	10.9	10.4
77291	KDS 01 E 1/0	36	24	10.9	10.4
68	KDS 01 E 1/0	40	25	11.5	11
77292	KDS 01 E 1/0	42	27	11.5	11
77293	KDS 01 E 1/0	45	30	11.5	11
69	KDS 01 E 1/0	50	35	11.5	11
70	KDS 01 E 1/0	55	40	11.5	11
77294	KDS 01 E 1/0	56	41	11.5	11
71	KDS 01 E 1/0	60	45	11.5	11
72	KDS 01 E 1/0	63	48	13	12.5
73	KDS 01 E 1/0	70	50	15.2	14.6
74	KDS 01 E 1/0	80	60	15.2	14.6
75	KDS 01 E 1/0	90	70	21.2	20.6
76	KDS 01 E 1/0	100	80	21.2	20.6
77	KDS 01 E 1/0	110	90	21.2	20.6
77295	KDS 01 E 1/0	115	95	21.2	20.6
78	KDS 01 E 1/0	125	100	25.8	25
79	KDS 01 E 1/0	140	115	25.8	25
80	KDS 01 E 1/0	150	120	29	28
81	KDS 01 E 1/0	160	130	29	28
82	KDS 01 E 1/0	180	150	31.5	30.5
83	KDS 01 E 1/0	200	170	33.5	32.5
78574	KDS 01 E 1/0	250	220	33.5	32.5
78576	KDS 01 E 1/0	300	270	33.5	32.5