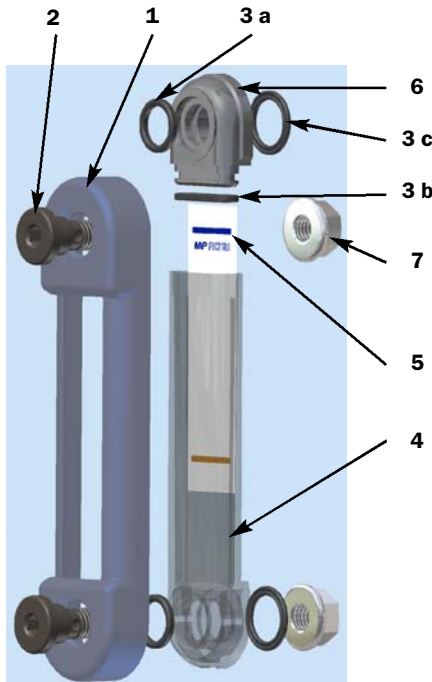


NEW VERSION

Series

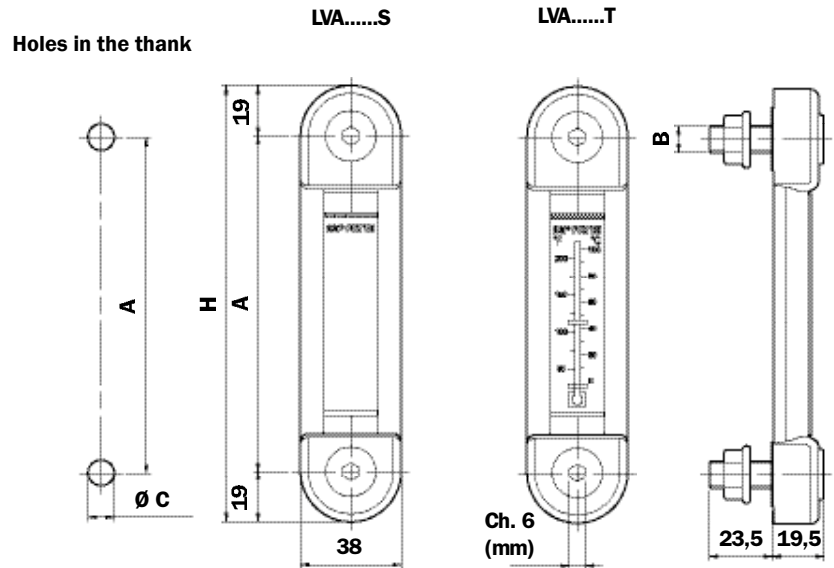
LVA



LVA (Material)

- 1 - Cover : **POLYAMIDES**
- 2 - Screws: Phosphated Steel
- 3 - Seals: NBR
FPM
- 4 - Glass: Polyamides
- 5 - Tag: Painted Aluminium
- 6 - End Plug : Nylon
- 7 - Nuts : Zinced Steel

Dimensions



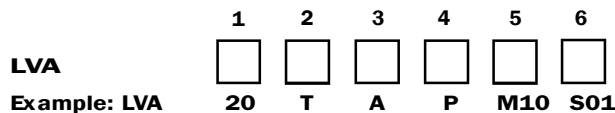
Size	A	H	Weights (Kg)
LVA10	76	114	0,13
LVA20	127	165	0,18
LVA30	254	292	0,23

Type	B	C
LVA.....M10	M10	10,5
LVA.....M12	M12	12,5
LVA.....U38	3/8" UNC	10
LVA.....U12	1/2" UNC	13,5

LVA20T.....S01



Ordering information



1 - Size

- 10
- 20
- 30

2 - Accessories

- S Without accessories
- T With Termometer

3 - Seals

- A NBR
- V FPM

4 - Cover material

- P **POLYAMIDES**

5 - Connectios

- M10 M10 Screws
- M12 M12 Screws
- U38 3/8"UNC Screws
- U12 1/2"UNC Screws

6 - Options

- S01 With Nuts - MP Filtri Tag
- S02 Without Nuts - MP Filtri Tag