

FRS 06

Description

Product group	Guide elements
Design	Rod guide ring
Profile no.	06
Model	EN Load relieving grooves
Material	POM 00 3003

Operational application limits

Max. surface pressure (N/mm ²):	≤35
Temperature (°C):	-30 to +110
Running speed (m/s):	≤1

Media

Hydraulic oils acc. to DIN 51524 Part 1 - 3, lubricating oils, mineral oil based lubricating greases, highly non-flammable hydraulic fluids HFA, HFB, HFC acc. to VDMA 24317

Function

FRS 06 guide rings are primarily used for rod and plunger seals and prevent metallic contact of the machine parts there. They absorb the transverse forces that occur. Due to the load relieving grooves that, permanent equal pressure distribution is achieved during operation.

Installation

FRS 06 guide rings are slit and can be installed in closed installation grooves. The chamfers support installation.

Remarks

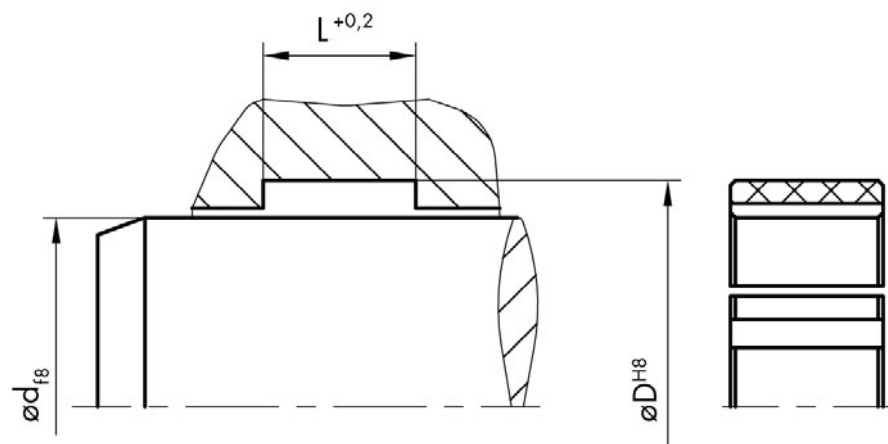
FRS 06 guide rings are a reasonably priced alternative to hard fabric guide rings but due to their low surface pressure performance at high pressures, have limited applications.

Order code

Please include our item numbers in your order. Should you require non-standard dimensions, materials or material combinations, please use the order code on page 12.

Any seal. Any time.

All the items in our standard programme (marked red) are standard stock items. For all other items, please check the availability at www.dichtomatik.de.



FRS 06

Item No.	Code	d	D	L
----------	------	---	---	---

Sizes

174344	FRS 06 EN	20	30	13
174345	FRS 06 EN	25	35	13
174346	FRS 06 EN	30	40	13
174347	FRS 06 EN	35	45	13
174348	FRS 06 EN	40	50	16
174350	FRS 06 EN	45	55	16
174351	FRS 06 EN	45	60	16
174352	FRS 06 EN	55	65	16
174353	FRS 06 EN	65	75	16
174354	FRS 06 EN	75	85	16