

FRS 05

Description

Product group	Guide elements
Design	Rod guide ring
Profile no.	05
Model	45
Material	HG 00 0301

Operational application limits

Max. surface pressure (N/mm²): ≤350
 Temperature (°C): -50 to +130
 Running speed (m/s): ≤1

Media

Hydraulic oils acc. to DIN 51524 Part 1 - 3, lubricating oils, mineral oil based lubricating greases, highly non-flammable hydraulic fluids HFA, HFB, HFC acc. to VDMA 24317

Function

FRS 05 guide rings made of hard fabric materials serve to guide rods. They prevent metallic contact of the machine parts and absorb the transverse force that occurs. Hard fabric material guide rings are primarily used in mobile hydraulics and heavy hydraulics, as they are very well-suited for higher surface pressures. An increased sliding ability which results in an improvement of the stick-slip effect is achieved by inclusion of PTFE in the compound. Guide rings are easier to install than guide strips and are, therefore, recommended by us.

Installation

Turned hard fabric guide rings are slit and can be installed in closed installation grooves. There are three different cutting types: 45°, 90°, ST.
 45° = for better press force distribution and to facilitate installation

90° = simple cut

ST = for swivel movements

The turned chamfers support the installation.

Remarks

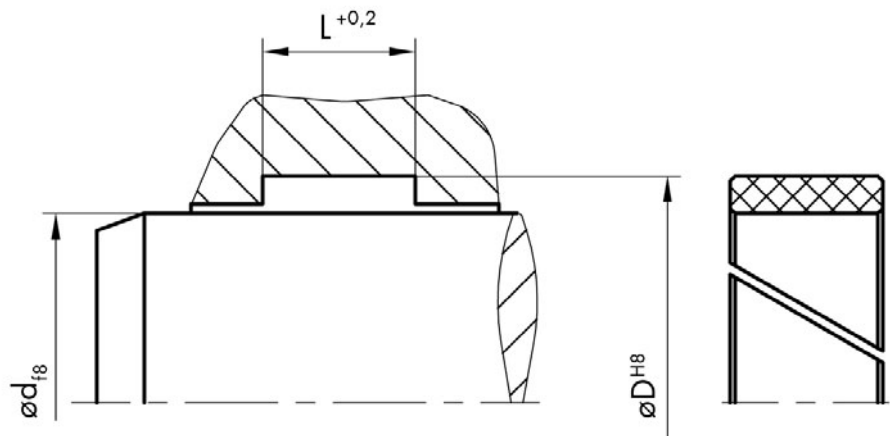
Standard guide rings are supplied with a 45° diagonal cut and in a compound of phenolic resin impregnated synthetic fibre fabric with PTFE inclusion. Should you require different materials or cutting types, please include these in your order (see Order code on page 12). Guide rings made of hard fabric are chamfered on both sides which means they can be used in both piston and rod areas. For special applications, a combination of guide elements made of hard fabric and PTFE is recommended. The PTFE guide ring must always be installed at a distance from the seal. The PTFE guide ring increases the sliding ability and gathers dirt, while the HGW guide ring absorbs the transverse force that occurs.

Order code

Please include our item numbers in your order. Should you require non-standard dimensions, materials or material combinations, please use the order code on page 12.

Any seal. Any time.

All the items in our standard programme (marked red) are standard stock items. For all other items, please check the availability at www.dichtomatik.de.



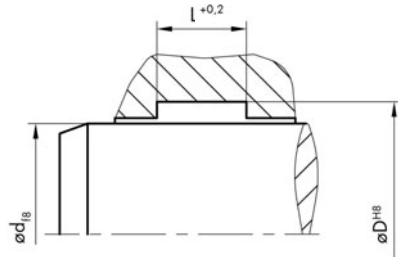
FRS 05

Sizes

Item No.	Code	d	D	L	Item No.	Code	d	D	L
167599	FRS 05	16	20	9.7	167682	FRS 05	45	50	20
167616	FRS 05	18	22	9.7	167683	FRS 05	45	51	9.7
167617	FRS 05	18	23	9.7	167684	FRS 05	50	55	5.6
167622	FRS 05	20	24	9.7	165983	FRS 05	50	55	9.7
167624	FRS 05	20	25	5.6	167685	FRS 05	50	55	15
167623	FRS 05	20	25	9.7	167686	FRS 05	50	55	20
167625	FRS 05	22	26	9.7	167687	FRS 05	50	55	25
167627	FRS 05	22	27	5.6	167688	FRS 05	50	56	9.7
167628	FRS 05	22	27	9.7	167689	FRS 05	52	57	9.7
167629	FRS 05	25	29	9.7	167690	FRS 05	52	58	9.7
167630	FRS 05	25	30	5.6	167691	FRS 05	52	58	12.8
167631	FRS 05	25	30	9.7	167693	FRS 05	55	60	5.6
167632	FRS 05	25	30	15	165984	FRS 05	55	60	9.7
167633	FRS 05	25	30	25	167694	FRS 05	55	60	15
167634	FRS 05	27	32	5.6	167695	FRS 05	55	60	20
167635	FRS 05	27	32	9.7	167696	FRS 05	55	60	25
167636	FRS 05	28	32	9.7	167697	FRS 05	55	61	9.7
167637	FRS 05	28	33	5.6	167698	FRS 05	56	61	5.6
167638	FRS 05	28	33	9.7	167699	FRS 05	56	61	9.7
167639	FRS 05	30	34	9.7	167700	FRS 05	56	61	15
167640	FRS 05	30	35	5.6	167701	FRS 05	56	61	20
167650	FRS 05	30	35	9.7	167702	FRS 05	56	61	25
167651	FRS 05	30	35	15	167703	FRS 05	56	62	12.8
167653	FRS 05	32	37	5.6	167704	FRS 05	58	63	5.6
167654	FRS 05	32	37	9.7	167705	FRS 05	58	63	9.7
167655	FRS 05	32	37	15	165985	FRS 05	60	65	5.6
167656	FRS 05	33	38	9.7	166940	FRS 05	60	65	9.7
167657	FRS 05	35	39	9.7	165986	FRS 05	60	65	15
167658	FRS 05	35	40	5.6	167706	FRS 05	60	65	20
167659	FRS 05	35	40	9.7	167707	FRS 05	60	65	25
167660	FRS 05	35	40	15	167708	FRS 05	60	66	12.8
167661	FRS 05	35	41	20	167709	FRS 05	61	67	12.8
167662	FRS 05	36	39	5.6	167710	FRS 05	62	68	12.8
167663	FRS 05	36	39	15	167711	FRS 05	63	68	5.6
167664	FRS 05	36	40	9.7	167712	FRS 05	63	68	9.7
167665	FRS 05	36	41	5.6	167713	FRS 05	63	68	15
167666	FRS 05	36	41	9.7	167714	FRS 05	63	68	20
167667	FRS 05	36	41	15	167715	FRS 05	63	69	12.8
167668	FRS 05	36	41	20	167716	FRS 05	65	70	9.7
167669	FRS 05	36	41	25	167717	FRS 05	65	70	15
167670	FRS 05	36	42	9.7	167718	FRS 05	65	70	20
167671	FRS 05	38	42	9.7	167719	FRS 05	65	70	25
167672	FRS 05	40	44	9.7	167720	FRS 05	65	71	12.8
167572	FRS 05	40	45	5.6	167721	FRS 05	66	72	12.8
167673	FRS 05	40	45	9.7	167722	FRS 05	70	75	5.6
167573	FRS 05	40	45	15	165987	FRS 05	70	75	9.7
167674	FRS 05	40	45	20	165988	FRS 05	70	75	15
167675	FRS 05	40	45	25	167723	FRS 05	70	75	20
167676	FRS 05	42	46	9.7	167724	FRS 05	70	75	25
167677	FRS 05	42	47	5.6	167725	FRS 05	70	75	29
167678	FRS 05	42	47	9.7	167726	FRS 05	70	76	12.8
167679	FRS 05	43	48	9.7	167727	FRS 05	75	79	9.7
167680	FRS 05	45	50	5.6	167728	FRS 05	75	80	5.6
166695	FRS 05	45	50	9.7	167729	FRS 05	75	80	9.7
167681	FRS 05	45	50	15	165989	FRS 05	75	80	15

FRS 05

Sizes



Item No.	Code	d	D	L	Item No.	Code	d	D	L
167730	FRS 05	75	80	20	167782	FRS 05	125	130	15
167731	FRS 05	75	80	25	167783	FRS 05	125	130	25
167732	FRS 05	75	81	12.8	167784	FRS 05	125	130	30
167733	FRS 05	75	83	9.7	167785	FRS 05	125	131	12.8
167734	FRS 05	80	85	5.6	167786	FRS 05	130	135	9.7
165990	FRS 05	80	85	9.7	167787	FRS 05	130	135	15
165991	FRS 05	80	85	15	167788	FRS 05	130	135	20
167735	FRS 05	80	85	20	167789	FRS 05	130	135	25
167736	FRS 05	80	85	25	167790	FRS 05	130	136	12.8
167737	FRS 05	80	85	30	167791	FRS 05	135	140	9.7
167738	FRS 05	85	90	5.6	167792	FRS 05	135	140	15
167739	FRS 05	85	90	9.7	167793	FRS 05	135	141	12.8
167740	FRS 05	85	90	15	167794	FRS 05	140	145	9.7
167741	FRS 05	85	90	20	167795	FRS 05	140	145	15
167742	FRS 05	85	90	25	167796	FRS 05	140	145	20
167743	FRS 05	90	95	5.6	167797	FRS 05	140	145	25
165992	FRS 05	90	95	9.7	167798	FRS 05	140	145	30
165993	FRS 05	90	95	15	167799	FRS 05	140	145	40
167745	FRS 05	90	95	20	167800	FRS 05	140	146	12.8
167746	FRS 05	90	95	25	167801	FRS 05	145	150	9.7
167747	FRS 05	90	96	12.8	167802	FRS 05	150	155	9.7
167748	FRS 05	95	100	5.6	167803	FRS 05	150	155	15
167749	FRS 05	95	100	9.7	167804	FRS 05	150	155	20
167750	FRS 05	95	101	12.8	167805	FRS 05	150	155	25
167751	FRS 05	100	105	5.6	167806	FRS 05	150	155	30
167752	FRS 05	100	105	9.7	167807	FRS 05	150	156	12.8
167753	FRS 05	100	105	15	167808	FRS 05	155	160	15
167754	FRS 05	100	105	20	167809	FRS 05	155	160	25
167755	FRS 05	100	105	25	167810	FRS 05	155	160	30
167756	FRS 05	100	106	12.8	167811	FRS 05	160	165	9.7
167757	FRS 05	105	110	5.6	167812	FRS 05	160	165	15
167758	FRS 05	105	110	9.7	167813	FRS 05	160	165	20
167759	FRS 05	105	110	15	167814	FRS 05	160	165	25
167760	FRS 05	105	110	20	167815	FRS 05	160	165	30
167761	FRS 05	105	110	25	167816	FRS 05	165	170	9.7
167762	FRS 05	110	115	5.6	167817	FRS 05	165	170	20
167763	FRS 05	110	115	9.7	167818	FRS 05	165	170	25
167764	FRS 05	110	115	12.8	167819	FRS 05	170	175	9.7
165994	FRS 05	110	115	15	167820	FRS 05	170	175	15
167765	FRS 05	110	115	20	167821	FRS 05	170	175	20
167766	FRS 05	110	115	25	167822	FRS 05	170	175	25
167767	FRS 05	115	120	9.7	167824	FRS 05	170	175	30
167768	FRS 05	115	120	15	167825	FRS 05	170	175	40
167769	FRS 05	115	120	20	167826	FRS 05	175	180	20
167770	FRS 05	115	120	30	167827	FRS 05	180	185	9.7
167771	FRS 05	115	120	35	167828	FRS 05	180	185	15
167772	FRS 05	115	121	12.8	167829	FRS 05	180	185	20
167773	FRS 05	120	125	5.6	167832	FRS 05	180	185	25
167774	FRS 05	120	125	9.7	167833	FRS 05	180	185	30
167775	FRS 05	120	125	15	167834	FRS 05	180	185	40
167776	FRS 05	120	125	25	167835	FRS 05	180	185	45
167777	FRS 05	120	125	30	167836	FRS 05	185	190	9.7
167778	FRS 05	120	125	35	167837	FRS 05	185	190	20
167779	FRS 05	120	126	12.8	167838	FRS 05	185	190	25
167781	FRS 05	125	130	9.7	167839	FRS 05	190	195	15

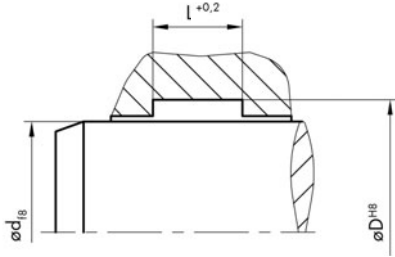
FRS 05

Sizes

Item No.	Code	d	D	L	Item No.	Code	d	D	L
167840	FRS 05	190	195	20	167892	FRS 05	270	275	25
167841	FRS 05	190	195	25	167893	FRS 05	275	280	25
167842	FRS 05	195	200	30	167894	FRS 05	275	280	30
167242	FRS 05	200	205	9.7	167895	FRS 05	275	280	40
167241	FRS 05	200	205	15	167896	FRS 05	280	285	9.7
167843	FRS 05	200	205	20	167897	FRS 05	280	285	15
167844	FRS 05	200	205	25	167898	FRS 05	280	285	20
167845	FRS 05	200	205	30	167899	FRS 05	280	285	25
167846	FRS 05	200	205	40	167900	FRS 05	280	285	30
167847	FRS 05	205	210	9.7	167901	FRS 05	280	285	40
167848	FRS 05	210	215	15	167902	FRS 05	280	290	35
167849	FRS 05	210	215	20	167903	FRS 05	285	290	20
167850	FRS 05	210	215	25	167904	FRS 05	285	290	25
167851	FRS 05	210	215	30	167905	FRS 05	285	290	30
167852	FRS 05	215	220	25	167906	FRS 05	290	295	9.7
167853	FRS 05	220	225	15	167907	FRS 05	290	295	15
167854	FRS 05	220	225	20	167908	FRS 05	290	295	20
167855	FRS 05	220	225	25	167909	FRS 05	290	295	25
167856	FRS 05	220	225	30	167910	FRS 05	295	300	25
167857	FRS 05	225	230	20	167911	FRS 05	295	300	30
167858	FRS 05	225	230	25	167913	FRS 05	300	305	15
167859	FRS 05	225	230	30	167914	FRS 05	300	305	20
167860	FRS 05	225	230	35	167915	FRS 05	300	305	25
167861	FRS 05	230	235	9.7	167916	FRS 05	300	305	30
167862	FRS 05	230	235	15	167917	FRS 05	305	310	15
167863	FRS 05	230	235	20	167918	FRS 05	305	310	20
167864	FRS 05	230	235	25	167919	FRS 05	305	310	25
167865	FRS 05	230	235	30	167920	FRS 05	305	310	30
167866	FRS 05	235	240	9.7	167921	FRS 05	310	315	15
167867	FRS 05	235	240	15	167922	FRS 05	310	315	20
167868	FRS 05	235	240	25	167923	FRS 05	310	315	25
167869	FRS 05	235	240	30	167924	FRS 05	320	325	9.7
167870	FRS 05	240	245	15	167925	FRS 05	320	325	15
167871	FRS 05	240	245	25	167926	FRS 05	320	325	25
167872	FRS 05	240	245	30	167927	FRS 05	320	325	30
167873	FRS 05	250	255	15	167928	FRS 05	325	330	30
167874	FRS 05	250	255	20	167929	FRS 05	330	335	15
167875	FRS 05	250	255	25	167930	FRS 05	330	335	25
167876	FRS 05	250	255	30	167931	FRS 05	330	335	50
167877	FRS 05	255	260	9.7	167932	FRS 05	335	340	25
167878	FRS 05	255	260	20	167933	FRS 05	335	340	30
167879	FRS 05	255	260	30	167934	FRS 05	335	340	40
167880	FRS 05	255	260	40	167935	FRS 05	340	345	15
167881	FRS 05	260	265	9.7	167936	FRS 05	340	345	25
167240	FRS 05	260	265	15	167937	FRS 05	340	345	30
167882	FRS 05	260	265	20	167938	FRS 05	340	345	40
167883	FRS 05	260	265	25	167939	FRS 05	345	350	25
167884	FRS 05	260	265	30	167940	FRS 05	350	355	15
167885	FRS 05	260	265	40	167941	FRS 05	350	355	25
167886	FRS 05	265	270	15	167942	FRS 05	350	355	30
167887	FRS 05	265	270	20	167943	FRS 05	360	365	15
167888	FRS 05	265	270	25	167944	FRS 05	360	365	25
167889	FRS 05	265	270	30	167945	FRS 05	370	375	15
167890	FRS 05	270	275	15	167946	FRS 05	370	375	30
167891	FRS 05	270	275	20	167947	FRS 05	380	385	15

FRS 05

Item No. Code d D L

Sizes

167948	FRS 05	380	385	25
167949	FRS 05	390	395	25
167950	FRS 05	400	405	15
167951	FRS 05	400	405	25
167952	FRS 05	400	405	40
167953	FRS 05	420	425	25
167954	FRS 05	430	435	25
167955	FRS 05	440	445	25
167956	FRS 05	450	455	25
167957	FRS 05	450	455	40
167958	FRS 05	480	485	20
167959	FRS 05	480	485	25
167960	FRS 05	480	485	40
167961	FRS 05	490	495	25
167962	FRS 05	500	505	25
167963	FRS 05	500	505	40