

## FB 05

### Description

Product group	Guide elements
Design	Guide strip
Profile no.	05
Material	HG 00 0301

### Operational application limits

Max. surface pressure (N/mm <sup>2</sup> ):	≤350
Temperature (°C):	-50 to +130
Running speed (m/s):	≤1

### Media

Hydraulic oils acc. to DIN 51524  
Part 1 - 3, lubricating oils, mineral oil based lubricating greases, highly non-flammable hydraulic fluids HFA, HFB, HFC acc. to VDMA 24317

### Function

Guide strips made of hard fabric materials (HGW) serve to guide pistons and rods. They prevent metallic contact of the machine parts and absorb the transverse force that occurs. HGW guide strips are well suited for high surface pressures. Increased sliding ability which results in an improvement of the stick-slip effect is achieved by inclusion of PTFE in the compound.

### Installation

Guide strips are produced on rolls and cut to the required length. There are three different cutting types: 45°, 90°, ST.  
45° = for better press force distribution and to facilitate installation  
90° = simple cut  
ST = for swivel movements

The following formulae are used to calculate the required lengths

Guiding a rod:

$$L = 3.11 \times (d + S) - 1.0$$

Guiding a piston:

$$L = 3.11 \times (D - S) - 1.0$$

In these formulae, the heat expansion coefficient and the gap dimensions for the join are already included. Hard fabric guide strips can be installed in closed installation grooves. Installation is supported by double sided chamfers.

### Remarks

Dichtomatik supplies standard guide strips made of HG 00 0301 (Phenolic resin impregnated synthetic fibre fabric with PTFE inclusion). With rods or piston diameters under 100 mm, elastic or preformed spiral strips should be used.

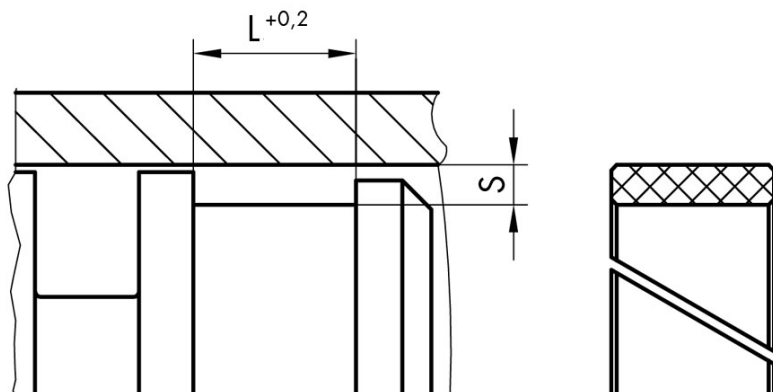
However, guide rings are easier to install which makes them preferable to guide strips.

### Order code

Please include our item numbers in your order. Should you require non-standard dimensions, materials or material combinations, please use the order code on page 12.

### Any seal. Any time.

All the items in our standard programme (marked red) are standard stock items. For all other items, please check the availability at [www.dichtomatik.de](http://www.dichtomatik.de).



**FB 05**

---

Item No.	Code	L	S	Roll length/m
----------	------	---	---	------------------

**Sizes**

169905	FB 05	5.6	2.5	5.5
169907	FB 05	9.7	2.5	5.5
169909	FB 05	12.8	2.5	5.5
169910	FB 05	15	2.5	5.5
169912	FB 05	20	2.5	5.5
167574	FB 05	25	2.5	5.5
169915	FB 05	9.7	3	5.5
169917	FB 05	15	3	5.5
169919	FB 05	20	3	5.5
169921	FB 05	25	3	5.5
169923	FB 05	30	3	5.5
169925	FB 05	9.7	4	5.5
169926	FB 05	15	4	5.5
169927	FB 05	20	4	5.5