

FB 01

Description

Product group	Guide elements
Design	Guide strip
Profile no.	01
Material	PTFE 00 9853

Operational application limits

Max. surface pressure (N/mm ²):	≤15
Temperature (°C):	-60 to +200
Running speed (m/s):	≤15

Media

Hydraulic oils acc. to DIN 51524
Part 1 - 3, lubricating oils, mineral oil based lubricating greases, highly non-flammable hydraulic fluids HFA, HFB, HFC acc. to VDMA 24317

Function

Guide strips made of PTFE compounds serve to guide pistons and rods. They prevent metallic contact of the machine parts and absorb the transverse force that occurs. Guide elements made of PTFE compounds are characterised by outstanding friction behaviour which minimises the stick-slip effect. In addition they exhibit high thermal and chemical resistance. PTFE guide strips are suitable for medium surface pressure.

Installation

Guide strips are produced on rolls and cut to the required length. There are three different cutting types: 30°, 90°, ST.
30° = for better press force distribution and to facilitate installation
90° = simple cut
ST = for swivel movements

The following formulae are used to calculate the required lengths

Guiding a rod:

$$L = 3.11 \times (d + S) - 1.0$$

Guiding a piston:

$$L = 3.11 \times (D - S) - 1.0$$

In these formulae, the heat expansion coefficient and the gap dimensions for the join are already included.

The ready cut guide strips can easily be installed in closed installation grooves.

Remarks

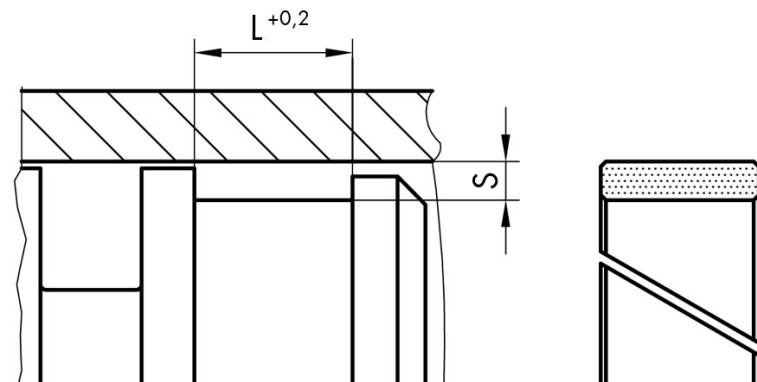
Guide strips have the advantage of universal application. Due to the surface structure of the strips and the special consistence of the PTFE material, additional lubrication is created on by the guide strips. A chamfer on the edges prevents edge compression in the groove corners and facilitates installation.

Order code

Please include our item numbers in your order. Should you require non-standard dimensions, materials or material combinations, please use the order code on page 12.

Any seal. Any time.

All the items in our standard programme (marked red) are standard stock items. For all other items, please check the availability at www.dichtomatik.de.



FB 01

Item No.	Code	L	S	Roll length/m
----------	------	---	---	------------------

Sizes

125534	FB 01	2.5	1.55	20.3
124937	FB 01	4	1.55	20.3
172753	FB 01	5.6	2	16
172754	FB 01	8	2	16
126855	FB 01	10	2	16
126903	FB 01	12	2	16
120898	FB 01	15	2	16
118157	FB 01	5.6	2.5	12.5
116298	FB 01	9.7	2.5	12.5
163511	FB 01	12.7	2.5	12.5
118158	FB 01	15	2.5	12.5
118159	FB 01	20	2.5	12.5
120558	FB 01	25	2.5	12.5
126798	FB 01	30	2.5	12.5
125724	FB 01	40	2.5	12.5
172755	FB 01	9.7	3	10
172756	FB 01	12.7	3	10
126919	FB 01	15	3	10
126920	FB 01	20	3	10
125875	FB 01	25	3	10
125455	FB 01	30	3	10
120899	FB 01	9.7	4	7.5
159929	FB 01	15	4	7.5
124589	FB 01	25	4	7.5