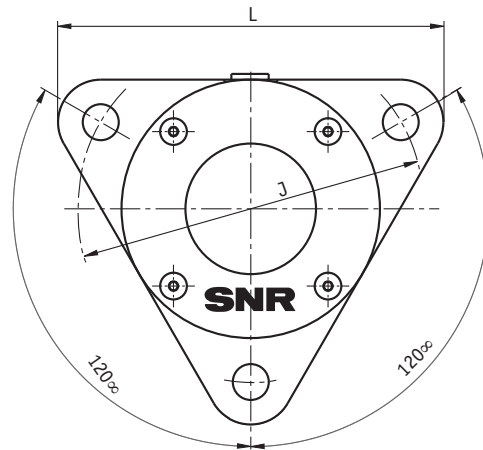
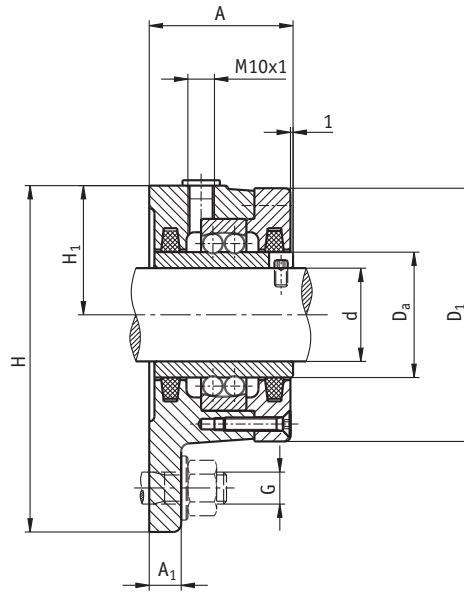


Flange Bearing Housings F 11200

for self-aligning ball bearings with widened inner ring



		dimensions [mm]							
shaft d_1	bearing housing code number	A	A_1	D_a	D_1	H	H_1	J	L
20	F 11204	42	10	29,2	67	93	35,0	90	105
25	F 11205	46	10	33,3	73	100	38,0	96	110
30	F 11206	50	12	40,1	84	117	44,0	116	130
35	F 11207	54	12	47,7	95	130	48,5	130	145
40	F 11208	60	12	54,0	105	143	54,0	140	160
45	F 11209	62	15	57,7	115	160	60,0	160	180
50	F 11210	63	15	62,7	115	160	60,0	160	180



fastening G	weight approx. kg	suitable bearing	cover bolts 4 per housing DIN 7991	felt strips 2 per housing DIN 5419 F2
M10	0,8	11204	M 5 x 20	FS 6 x 5 x 132
M10	1,0	11205	M 5 x 20	FS 6 x 5 x 150
M10	1,4	11206	M 5 x 25	FS 6 x 5 x 165
M12	1,8	11207	M 5 x 25	FS 8 x 6,5 x 190
M12	2,3	11208	M 5 x 30	FS 8 x 6,5 x 225
M12	3,3	11209	M 6 x 30	FS 8 x 6,5 x 235
M12	3,6	11210	M 6 x 30	FS 8 x 6,5 x 260