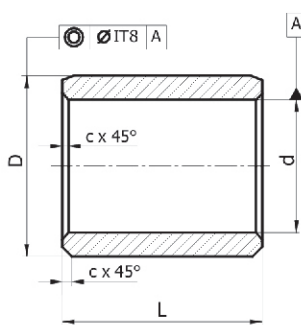


B 60

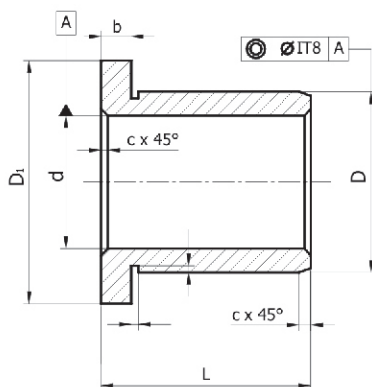
BRONZE TURNED BEARINGS

ODSTREDIVO LIATE, SÚSTRUŽENÉ KLZNÉ LOŽISKÁ

Typ A



Typ B



Unit:mm

d F7	D r7 rada 1	D, d11	L rada 1	L rada 2	b	c
10	14	20	6	10		
15	20	27	10	15		
20	25	32	15	20	3.0	1.0
25	30	38	20	30		
30	35	44	20	30	4.0	
35	40	50	30	40		
40	45	58	30	40		1.5
45	50	63	30	40	5.0	
50	60	68	40	50		
55	65	73	40	50		
60	70	83	40	60		
65	75	88	50	60		
70	80	95	50	70	7.5	2.0
75	85	100	50	70		
80	90	105	60	80		
85	95	110	60	80		
90	105	120	60	80		
95	110	125	60	100		
100	115	130	80	100	10.0	
110	130	150	100	120		
120	140	160	100	120		
130	150	170	100	120		
140	160	180	120	150	15.0	
150	170	190	120	150		
180	200	220	120	150		2.5
200	220	240	150	200		
220	250	270	150	200	20.0	
250	300	320	150	200		
300	350	350	150	250		

Order example: B60M1 - 5040 A

označovanie

material

typ
length L
diameter d

Tech. Data								
Material		60 M1	60 M2	60 M3	60 M4	60 M5	60 M6	60 M7
Composition %	Cu	65	85	80	88	80	65	76
	Sn		5		12	10		8
	Pb		5			10		15
	Zn	25	5				25	
	Ni			5				1
	Al	6		10			6	
	Fe			5				
	Mn	4					4	
Density		8.0	8.8	7.6	8.8	8.9	8.0	9.1
Yield point N/mm ²		>350	>90	>260	>150	>100	>450	>80
Tensile strength N/mm ²		>750	>250	>500	>270	>210	>800	>180
Elongation %		>12	>15	>10	>5	>8	>8	>8
Hardness HB		>210	>70	>150	>95	>75	>250	>60
Limit temp. °C		300	400	400	400	250	400	250

Solid Lubricants

Lubricant	Features	Typical application
SL1 Graphite+add	Excellent resistance against chemical attacks and low friction. Temp limit 400°C	Suite for general machines and under atmosphere