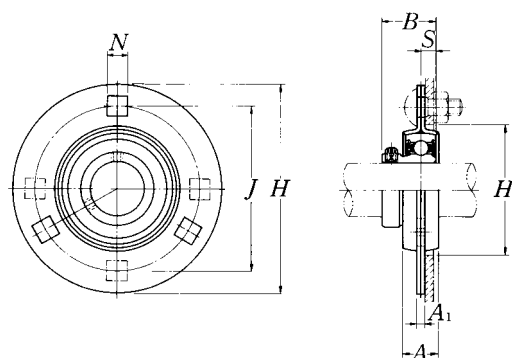


Flanged units pressed steel housing
Set screw type

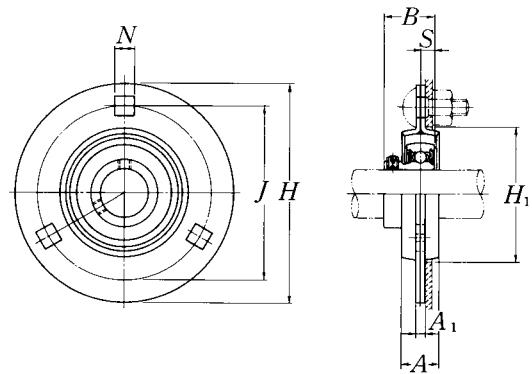


Shaft dia. mm inch	Unit number	Nominal dimensions								Bolt size mm inch	Max. load recommended		Bearing number
		mm				inch					N radial	lbf axial	
		H	J	A ₁	N ¹⁾	A	B	S	H ₁ min.				
12 1/2	ASPF201 ASPF201-008	81 3 3/16	63.5 2 1/2	4 0.157	7.1 9/32	14 9/16	22 0.8661	6 0.236	49 1 59/64	M6 1/4	2 700 600	1 350 300	AS201 AS201-008
15 9/16 5/8	ASPF202 ASPF202-009 ASPF202-010	81 3 3/16	63.5 2 1/2	4 0.157	7.1 9/32	14 9/16	22 0.8661	6 0.236	49 1 59/64	M6 1/4	2 700 600	1 350 300	AS202 AS202-009 AS202-010
17 1 1/16	ASPF203 ASPF203-011	81 3 3/16	63.5 2 1/2	4 0.157	7.1 9/32	14 9/16	22 0.8661	6 0.236	49 1 59/64	M6 1/4	2 700 600	1 350 300	AS203 AS203-011
20 3/4	ASPF204 ASPF204-012	90 3 35/64	71.5 2 13/16	4 0.157	9 23/64	16 5/8	25 0.9843	7 0.276	56 2 13/64	M8 5/16	3 000 660	1 500 330	AS204 AS204-012
25 1 3/16 7/8 1 5/16 1	ASPF205 ASPF205-013 ASPF205-014 ASPF205-015 ASPF205-100	95 3 3/4	76 2 63/64	4 0.157	9 23/64	18 23/32	27 1.0630	7.5 0.295	60 2 23/64	M8 5/16	4 000 880	2 000 440	AS205 AS205-013 AS205-014 AS205-015 AS205-100
30 1 1/16 1 1/8 1 3/16 1 1/4	ASPF206 ASPF206-101 ASPF206-102 ASPF206-103 ASPF206-104	113 4 7/16	90.5 3 9/16	5.2 0.205	11 7/16	18 23/32	29 1.1417	8 0.315	71 2 51/64	M10 3/8	5 000 1 100	2 500 550	AS206 AS206-101 AS206-102 AS206-103 AS206-104
35 1 1/4 1 5/16 1 3/8 1 7/16	ASPF207 ASPF207-104 ASPF207-105 ASPF207-106 ASPF207-107	122 4 13/16	100 3 15/16	5.2 0.205	11 7/16	20 25/32	34 1.3386	8.5 0.335	81 3 3/16	M10 3/8	6 000 1 300	3 000 650	AS207 AS207-104 AS207-105 AS207-106 AS207-107
40 1 1/2 1 9/16	ASPF208 ASPF208-108 ASPF208-109	148 5 13/16	119 4 11/16	6.8 0.268	13.5 17/32	21 13/16	38 1.4961	9 0.354	91 3 37/64	M12 1/2	7 000 1 500	3 500 750	AS208 AS208-108 AS208-109

Remarks: 1) ASPF208 has four bolt holes.

Housing number	Mass of unit	
	kg	lb
PF203	0.2	
PF203	0.4	
PF203	0.2	
PF203	0.4	
PF203	0.2	
PF203	0.4	
PF204	0.3	
PF204	0.7	
PF205	0.3	
PF205		
PF205	0.7	
PF205		
PF205		
PF206	0.5	
PF206		
PF206	1.1	
PF206		
PF206		
PF207	0.7	
PF207		
PF207	1.5	
PF207		
PF207		
PF208	1.1	
PF208	2.4	
PF208		

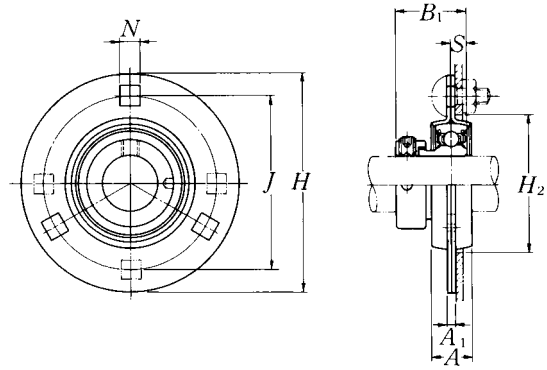
Flanged units pressed steel housing with rubber ring
Set screw type



Shaft dia. mm inch	Unit number	Nominal dimensions								Bolt size mm inch	Max. load recommended		Bearing number
		mm				inch					N radial	lbf axial	
		H	J	A ₁	N	A	B	S	H ₁ min.				
12 1/2	ASRPF201 ASRPF201-008	90 3 17/32	71.5 2 13/16	4 0.157	9 2 3/64	16 5/8	22 0.8661	6 0.236	56 2 13/64	M 8 5/16	1 000 220	200 40	AS201 AS201-008
15 9/16 5/8	ASRPF202 ASRPF202-009 ASRPF202-010	90 3 17/32	71.5 2 13/16	4 0.157	9 2 3/64	16 5/8	22 0.8661	6 0.236	56 2 13/64	M 8 5/16	1 000 220	200 40	AS202 AS202-009 AS202-010
17 1 1/16	ASRPF203 ASRPF203-011	90 3 17/32	71.5 2 13/16	4 0.157	9 2 3/64	16 5/8	22 0.8661	6 0.236	56 2 13/64	M 8 5/16	1 000 220	200 40	AS203 AS203-011
20 3/4	ASRPF204 ASRPF204-012	95 3 3/4	76 2 63/64	4 0.157	9 2 3/64	18 2 3/32	25 0.9843	7 0.276	60 2 23/64	M 8 5/16	1 150 250	200 40	AS204 AS204-012
25 1 3/16 7/8 1 5/16 1	ASRPF205 ASRPF205-013 ASRPF205-014 ASRPF205-015 ASRPF205-100	113 4 7/16	90.5 3 9/16	5.2 0.205	11 7/16	18 2 3/32	27 1.0630	7.5 0.295	71 2 51/64	M10 3/8	1 300 280	200 40	AS205 AS205-013 AS205-014 AS205-015 AS205-100
30 1 1/16 1 1/8 1 3/16 1 1/4	ASRPF206 ASRPF206-101 ASRPF206-102 ASRPF206-103 ASRPF206-104	122 4 13/16	100 3 15/16	5.2 0.205	11 7/16	20 2 5/32	29 1.1417	8 0.315	81 3 3/16	M10 3/8	1 500 330	200 40	AS206 AS206-101 AS206-102 AS206-103 AS206-104

Housing number	Mass of unit	
	kg	lb
PF204	0.3	
PF204	0.7	
PF204	0.3	
PF204	0.7	
PF204		
PF204	0.3	
PF204	0.7	
PF205	0.4	
PF205	0.9	
PF206	0.4	
PF206		
PF206	0.9	
PF206		
PF206		
PF207	0.6	
PF207		
PF207	1.3	
PF207		
PF207		

Flanged units pressed steel housing
Eccentric locking collar type

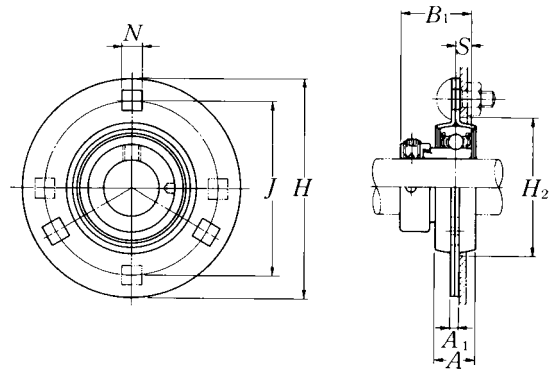


Shaft dia. mm inch	Unit number	Nominal dimensions								Bolt size mm inch	Max. load recommended		Bearing number
		mm				inch					N radial	lbf axial	
		H	J	A ₁	N ¹⁾	A	B ₁	S	H ₂ min.				
12 1/2	AELPF201W3 AELPF201-008W3	81 3 3/16	63.5 2 1/2	4 0.157	7.1 9/32	14 9/16	28.6 1.126	6.5 0.256	49 1 59/64	M6 1/4	2 700 600	1 350 300	AEL201W3 AEL201-008W3
15 9/16 5/8	AELPF202W3 AELPF202-009W3 AELPF202-010W3	81 3 3/16	63.5 2 1/2	4 0.157	7.1 9/32	14 9/16	28.6 1.126	6.5 0.256	49 1 59/64	M6 1/4	2 700 600	1 350 300	AEL202W3 AEL202-009W3 AEL202-010W3
17 1 1/16	AELPF203W3 AELPF203-011W3	81 3 3/16	63.5 2 1/2	4 0.157	7.1 9/32	14 9/16	28.6 1.126	6.5 0.256	49 1 59/64	M6 1/4	2 700 600	1 350 300	AEL203W3 AEL203-011W3
20 3/4	AELPF204W3 AELPF204-012W3	90 3 17/32	71.5 2 13/16	4 0.157	9 23/64	16 5/8	31 1.220	7.5 0.295	56 2 13/64	M8 5/16	3 000 660	1 500 330	AEL204W3 AEL204-012W3
25 1 3/16 7/8 1 5/16 1	AELPF205W3 AELPF205-013W3 AELPF205-014W3 AELPF205-015W3 AELPF205-100W3	95 3 3/4	76 2 63/64	4 0.157	9 23/64	18 23/32	31 1.220	7.5 0.295	60 2 23/64	M8 5/16	4 000 880	2 000 440	AEL205W3 AEL205-013W3 AEL205-014W3 AEL205-015W3 AEL205-100W3
30 1 1/16 1 1/8 1 3/16 1 1/4	AELPF206W3 AELPF206-101W3 AELPF206-102W3 AELPF206-103W3 AELPF206-104W3	113 4 7/16	90.5 3 9/16	5.2 0.205	11 7/16	18 23/32	35.7 1.406	9 0.354	71 2 51/64	M10 3/8	5 000 1 100	2 500 550	AEL206W3 AEL206-101W3 AEL206-102W3 AEL206-103W3 AEL206-104W3
35 1 1/4 1 5/16 1 3/8 1 7/16	AELPF207W3 AELPF207-104W3 AELPF207-105W3 AELPF207-106W3 AELPF207-107W3	122 4 13/16	100 3 15/16	5.2 0.205	11 7/16	20 25/32	38.9 1.531	9.5 0.374	81 3 3/16	M10 3/8	6 000 1 300	3 000 650	AEL207W3 AEL207-104W3 AEL207-105W3 AEL207-106W3 AEL207-107W3
40 1 1/2 1 9/16	AELPF208W3 AELPF208-108W3 AELPF208-109W3	148 5 13/16	119 4 11/16	6.8 0.268	13.5 17/32	21 13/16	43.7 1.720	11 0.433	91 3 37/64	M12 1/2	7 000 1 500	3 500 750	AEL208W3 AEL208-108W3 AEL208-109W3

Remarks: 1) AELPF208 has four bolt holes.

Housing number	Mass of unit	
	kg	lb
PF203	0.2	
PF203	0.4	
PF203	0.2	
PF203	0.4	
PF203		
PF203	0.2	
PF203	0.4	
PF204	0.3	
PF204	0.7	
PF205	0.4	
PF205		
PF205	0.9	
PF205		
PF205		
PF206	0.6	
PF206		
PF206	1.3	
PF206		
PF206		
PF207	0.8	
PF207		
PF207	1.8	
PF207		
PF207		
PF208	1.3	
PF208	2.9	
PF208		

Flanged units pressed steel housing
Eccentric locking collar type

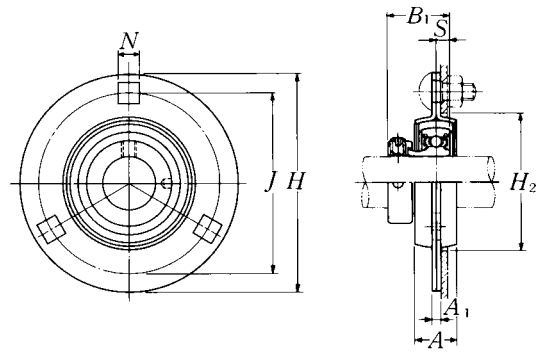


Shaft dia. mm inch	Unit number	Nominal dimensions								Bolt size mm inch	Max. load recommended		Bearing number
		mm				inch					N	lbf	
		H	J	A ₁	N ¹⁾	A	B ₁	S	H ₂ min.		radial	axial	
12 1/2	JELPF201W3 JELPF201-008W3	81 3 3/16	63.5 2 1/2	4 0.157	7.1 9/32	14 9/16	28.6 1.126	6.5 0.256	49 1 59/64	M6 1/4	2 700 600	1 350 300	JEL201W3 JEL201-008W3
15 9/16 5/8	JELPF202W3 JELPF202-009W3 JELPF202-010W3	81 3 3/16	63.5 2 1/2	4 0.157	7.1 9/32	14 9/16	28.6 1.126	6.5 0.256	49 1 59/64	M6 1/4	2 700 600	1 350 300	JEL202W3 JEL202-009W3 JEL202-010W3
17 1 1/16	JELPF203W3 JELPF203-011W3	81 3 3/16	63.5 2 1/2	4 0.157	7.1 9/32	14 9/16	28.6 1.126	6.5 0.256	49 1 59/64	M6 1/4	2 700 600	1 350 300	JEL203W3 JEL203-011W3
20 3/4	JELPF204W3 JELPF204-012W3	90 3 17/32	71.5 2 13/16	4 0.157	9 23/64	16 5/8	31 1.220	7.5 0.295	56 2 13/64	M8 5/16	3 000 660	1 500 330	JEL204W3 JEL204-012W3
25 1 3/16 7/8 1 5/16 1	JELPF205W3 JELPF205-013W3 JELPF205-014W3 JELPF205-015W3 JELPF205-100W3	95 3 3/4	76 2 63/64	4 0.157	9 23/64	18 23/32	31 1.220	7.5 0.295	60 2 23/64	M8 5/16	4 000 800	2 000 440	JEL205W3 JEL205-013W3 JEL205-014W3 JEL205-015W3 JEL205-100W3
30 1 1/16 1 1/8 1 3/16 1 1/4	JELPF206W3 JELPF206-101W3 JELPF206-102W3 JELPF206-103W3 JELPF206-104W3	113 4 7/16	90.5 3 9/16	5.2 0.205	11 7/16	18 23/32	35.7 1.406	9 0.354	71 2 51/64	M10 3/8	5 000 1 100	2 500 550	JEL206W3 JEL206-101W3 JEL206-102W3 JEL206-103W3 JEL206-104W3
35 1 1/4 1 5/16 1 3/8 1 7/16	JELPF207W3 JELPF207-104W3 JELPF207-105W3 JELPF207-106W3 JELPF207-107W3	122 4 13/16	100 3 15/16	5.2 0.205	11 7/16	20 25/32	38.9 1.531	9.5 0.374	81 3 3/16	M10 3/8	6 000 1 300	3 000 650	JEL207W3 JEL207-104W3 JEL207-105W3 JEL207-106W3 JEL207-107W3
40 1 1/2 1 9/16	JELPF208W3 JELPF208-108W3 JELPF208-109W3	148 5 3/16	119 4 11/16	6.8 0.268	13.5 17/32	21 13/16	43.7 1.720	11 0.433	91 3 37/64	M12 1/2	7 000 1 500	3 500 750	JEL208W3 JEL208-108W3 JEL208-109W3

Remarks: 1) JELPF208 has four bolt holes.

Housing number	Mass of unit	
	kg	lb
PF203	0.2	
PF203	0.4	
PF203	0.2	
PF203	0.4	
PF203	0.4	
PF203	0.2	
PF203	0.4	
PF204	0.3	
PF204	0.7	
PF205	0.4	
PF205		
PF205	0.9	
PF205		
PF205		
PF206	0.6	
PF206		
PF206	1.3	
PF206		
PF206		
PF207	0.8	
PF207		
PF207	1.8	
PF207		
PF207		
PF208	1.3	
PF208	2.9	
PF208		

Flanged units pressed steel housing with rubber ring
Eccentric locking collar type



Shaft dia. mm inch	Unit number	Nominal dimensions								Bolt size mm inch	Max. load recommended		Bearing number
		mm				inch					N	lbf	
		H	J	A ₁	N	A	B ₁	S	H ₂ min.		radial	axial	
12 1/2	AELRPF201W3	90	71.5	4	9	16	28.6	6.5	56	M8	1 000	200	AEL201W3
	AELRPF201-008W3	3 ¹⁷ / ₃₂	2 ¹³ / ₁₆	0.157	23 ³ / ₆₄	5 ⁵ / ₈	1.126	0.256	2 ¹³ / ₆₄	5 ⁵ / ₁₆	220	40	AEL201-008W3
15 9/16 5/8	AELRPF202W3	90	71.5	4	9	16	28.6	6.5	56	M8	1 000	200	AEL202W3
	AELRPF202-009W3	3 ¹⁷ / ₃₂	2 ¹³ / ₁₆	0.157	23 ³ / ₆₄	5 ⁵ / ₈	1.126	0.256	2 ¹³ / ₆₄	5 ⁵ / ₁₆	220	40	AEL202-009W3
	AELRPF202-010W3	3 ¹⁷ / ₃₂	2 ¹³ / ₁₆	0.157	23 ³ / ₆₄	5 ⁵ / ₈	1.126	0.256	2 ¹³ / ₆₄	5 ⁵ / ₁₆	220	40	AEL202-010W3
17 11/16	AELRPF203W3	90	71.5	4	9	16	28.6	6.5	56	M8	1 000	200	AEL203W3
	AELRPF203-011W3	3 ¹⁷ / ₃₂	2 ¹³ / ₁₆	0.157	23 ³ / ₆₄	5 ⁵ / ₈	1.126	0.256	2 ¹³ / ₆₄	5 ⁵ / ₁₆	220	40	AEL203-011W3
20 3/4	AELRPF204W3	95	76	4	9	18	31	7.5	60	M8	1 150	200	AEL204W3
	AELRPF204-012W3	3 ³ / ₄	2 ⁶³ / ₆₄	0.157	23 ³ / ₆₄	23 ³ / ₃₂	1.220	0.295	2 ²³ / ₆₄	5 ⁵ / ₁₆	250	40	AEL204-012W3
25 13/16 7/8 15/16 1	AELRPF205W3	113	90.5	5.2	11	18	31	7.5	71	M10	1 300	200	AEL205W3
	AELRPF205-013W3												AEL205-013W3
	AELRPF205-014W3	4 ⁷ / ₁₆	3 ⁹ / ₁₆	0.205	7 ⁷ / ₁₆	23 ³ / ₃₂	1.220	0.295	2 ⁵¹ / ₆₄	3 ³ / ₈	280	40	AEL205-014W3
	AELRPF205-015W3												AEL205-015W3
	AELRPF205-100W3												AEL205-100W3
30 1 1/16 1 1/8 1 3/16 1 1/4	AELRPF206W3	122	100	5.2	11	20	35.7	9	81	M10	1 500	200	AEL206W3
	AELRPF206-101W3												AEL206-101W3
	AELRPF206-102W3	4 ¹³ / ₁₆	3 ¹⁵ / ₁₆	0.205	7 ⁷ / ₁₆	25 ³ / ₃₂	1.406	0.354	3 ³ / ₁₆	3 ³ / ₈	330	40	AEL206-102W3
	AELRPF206-103W3												AEL206-103W3
	AELRPF206-104W3												AEL206-104W3

Housing number		Mass of unit kg lb
Rubber	Housing	
R201	PF204	0.3
R201	PF204	0.7
R201	PF204	0.3
R201	PF204	0.7
R201	PF204	0.7
R204	PF205	0.4
R204	PF205	0.9
R205	PF206	0.5
R205	PF206	
R205	PF206	1.1
R205	PF206	
R205	PF206	
R206	PF207	0.7
R206	PF207	
R206	PF207	1.5
R206	PF207	
R206	PF207	