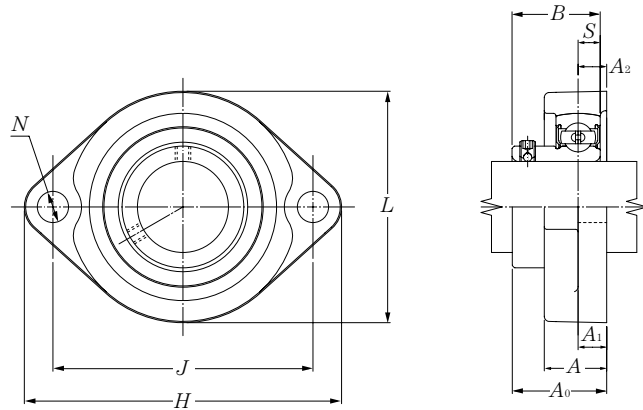


Light rhombus flanged units cast housing Set screw type

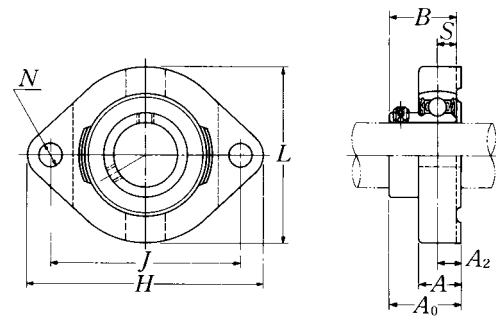


Shaft dia. mm inch	Unit number ¹⁾	Nominal dimensions										Bolt size mm inch	Bearing number ¹⁾
		H	J	A ₂	A ₁	A	N	L	A ₀	B	S		
12 1/2	ASFB201 ASFB201-008	81 3 3/16	63.5 2 1/2	9.5 3/8	9.5 3/8	18 23/32	7 9/32	56 2 7/32	25.5 1	22 0.8661	6 0.236	M6 1/4	AS201 AS201-008
15 9/16 5/8	ASFB202 ASFB202-009 ASFB202-010	81 3 3/16	63.5 2 1/2	9.5 3/8	9.5 3/8	18 23/32	7 9/32	56 2 7/32	25.5 1	22 0.8661	6 0.236	M6 1/4	AS202 AS202-009 AS202-010
17 1 1/16	ASFB203 ASFB203-011	81 3 3/16	63.5 2 1/2	9.5 3/8	9.5 3/8	18 23/32	7 9/32	56 2 7/32	25.5 1	22 0.8661	6 0.236	M6 1/4	AS203 AS203-011
20 3/4	ASFB204 ASFB204-012	90 3 35/64	71.5 2 13/16	11 7/16	11 7/16	20 25/32	10 25/64	61 2 13/32	29 1 9/64	25 0.9843	7 0.276	M8 5/16	AS204 AS204-012
25 1 3/16 7/8 15/16 1	ASFB205 ASFB205-013 ASFB205-014 ASFB205-015 ASFB205-100	95 3 3/4	76 2 63/64	11 7/16	11 7/16	20 25/32	10 25/64	64 2 17/32	30.5 1 13/64	27 1.0630	7.5 0.295	M8 5/16	AS205 AS205-013 AS205-014 AS205-015 AS205-100
30 1 1/16 1 1/8 1 3/16 1 1/4	ASFB206 ASFB206-101 ASFB206-102 ASFB206-103 ASFB206-104	113 4 7/16	90.5 3 9/16	12 15/32	12 15/32	22.5 7/8	12 15/32	76 3	33 1 19/64	29 1.1417	8 0.315	M10 3/8	AS206 AS206-101 AS206-102 AS206-103 AS206-104
35 1 1/4 1 5/16 1 3/8 1 7/16	ASFB207 ASFB207-104 ASFB207-105 ASFB207-106 ASFB207-107	122 4 51/64	100 3 15/16	11 7/16	13 1/2	24 15/16	12 15/32	89 3 1/2	36.5 1 7/16	34 1.3386	8.5 0.335	M10 3/8	AS207 AS207-104 AS207-105 AS207-106 AS207-107

Remarks: 1) If relubricatable type is needed, please order with suffix "D1".

Housing ¹⁾ number	Mass of unit
	kg lb
FB201	0.3
FB201	0.7
FB201	0.3
FB201	0.7
FB201	0.2
FB201	0.4
FB204	0.3
FB204	0.7
FB205	0.3
FB205	0.7
FB206	0.5
FB206	1.1
FB207	0.8
FB207	1.8

Light rhombus flanged units cast housing Set screw type



Shaft dia.	Unit number ¹⁾	Nominal dimensions									Bolt size	Bearing number ¹⁾
				mm		inch				mm		
mm inch		H	J	A ₂	A	N	L	A ₀	B	S	mm inch	
12 1/2	ASFD201 ASFD201-008	81 3 3/16	63 2 31/64	8.5 2 1/64	15 1 9/32	7 9/32	59 2 5/16	24.5 3 1/32	22 0.8661	6 0.236	M6 1/4	AS201 AS201-008
15 9/16 5/8	ASFD202 ASFD202-009 ASFD202-010	81 3 3/16	63 2 31/64	8.5 2 1/64	15 1 9/32	7 9/32	59 2 5/16	24.5 3 1/32	22 0.8661	6 0.236	M6 1/4	AS202 AS202-009 AS202-010
17 1 1/16	ASFD203 ASFD203-011	81 3 3/16	63 2 31/64	8.5 2 1/64	15 1 9/32	7 9/32	59 2 5/16	24.5 3 1/32	22 0.8661	6 0.236	M6 1/4	AS203 AS203-011
20 3/4	ASFD204 ASFD204-012	90 3 35/64	71 2 51/64	9.5 3/8	17 2 1/32	10 2 5/64	67 2 5/8	27.5 1 5/64	25 0.9843	7 0.276	M8 5/16	AS204 AS204-012
25 1 3/16 7/8 1 5/16 1	ASFD205 ASFD205-013 ASFD205-014 ASFD205-015 ASFD205-100	95 3 3/4	76 2 63/64	9.5 3/8	17 2 1/32	10 2 5/64	71 2 25/32	29 1 9/64	27 1.0630	7.5 0.295	M8 5/16	AS205 AS205-013 AS205-014 AS205-015 AS205-100
30 1 1/16 1 1/8 1 3/16 1 1/4	ASFD206 ASFD206-101 ASFD206-102 ASFD206-103 ASFD206-104	113 4 7/16	90 3 35/64	12 1 5/32	21 1 13/16	12 1 5/32	84 3 5/16	33 1 19/64	29 1.1417	8 0.315	M10 3/8	AS206 AS206-101 AS206-102 AS206-103 AS206-104
35 1 1/4 1 5/16 1 3/8 1 7/16	ASFD207 ASFD207-104 ASFD207-105 ASFD207-106 ASFD207-107	125 4 29/32	100 3 15/16	12.5 3 1/64	22 7/8	12 1 5/32	94 3 11/16	38 1 1/2	34 1.3386	8.5 0.335	M10 3/8	AS207 AS207-104 AS207-105 AS207-106 AS207-107
40 1 1/2 1 9/16	ASFD208 ASFD208-108 ASFD208-109	148 5 53/64	119 4 11/16	14.5 3 7/64	25 3 1/32	13.5 1 7/32	104 4 3/32	43.5 1 23/32	38 1.4961	9 0.354	M12 7/16	AS208 AS208-108 AS208-109

Remarks: 1) If relubricatable type is needed, please order with prefix "A-" and suffix "D1".
Example: A-ASFD201D1

Housing ¹⁾ number	Mass of unit	
	kg	lb
FD201	0.3	
FD201	0.7	
FD201	0.3	
FD201	0.7	
FD201	0.3	
FD201	0.7	
FD204	0.4	
FD204	0.9	
FD205	0.5	
FD205		
FD205	1.1	
FD205		
FD205		
FD206	0.8	
FD206		
FD206	1.8	
FD206		
FD206		
FD207	0.9	
FD207		
FD207	2.0	
FD207		
FD207		
FD208	1.3	
FD208	2.9	
FD208		