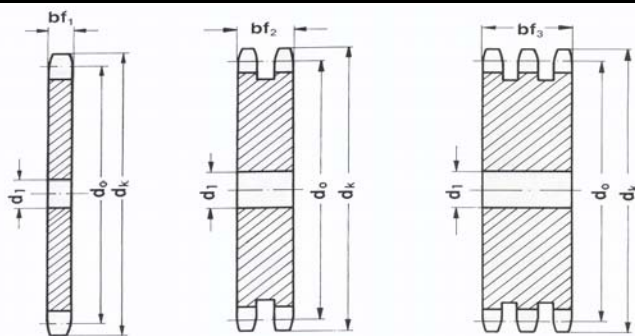


Řetězová kola plochá

Plate Wheels

(5/8"x3/8") ASA50



Řetěz/Chain 10A - ASA 50 (15,875x9,52 mm)

Rozteč/Pitch 15,875 mm

Vnitřní šířka/Internal width 9,52 mm

Průměr válečku/Roller d 10,16 mm

Radius/Tooth radius r 17 mm

Radius/Chamfer C 2,0 mm

Typ 10A - pro řetězy ASA 50 (5/8"x3/8") / for chains ASA 50 (5/8"x3/8") DIN 8187 - ISO/R 606

Z Zubů Teeth	d ₀ [mm]	d _k [mm]	Jednořadé - Single			Z Zubů Teeth	d ₀ [mm]	d _k [mm]	Jednořadé - Single		
			Označ.- Obj.č. Part.No.	bf ₁ [mm]	d ₁ [mm]				Označ.- Obj.č. Part.No.	bf ₁ [mm]	d ₁ [mm]
8	41,48	47,00	10A-1-08-P	9,0	10	52	262,92	270,40	10A-1-52-P	9,0	20
9	46,42	52,60	10A-1-09-P	9,0	10	53	267,97	275,40	10A-1-53-P	9,0	20
10	51,37	57,50	10A-1-10-P	9,0	10	54	273,03	280,50	10A-1-54-P	9,0	20
11	56,34	63,00	10A-1-11-P	9,0	10	55	278,08	285,50	10A-1-55-P	9,0	20
12	61,34	68,00	10A-1-12-P	9,0	10	56	283,13	290,00	10A-1-56-P	9,0	25
13	66,32	73,00	10A-1-13-P	9,0	10	57	288,18	295,00	10A-1-57-P	9,0	25
14	71,34	78,00	10A-1-14-P	9,0	10	58	293,23	300,70	10A-1-58-P	9,0	25
15	76,36	83,00	10A-1-15-P	9,0	10	59	298,27	305,70	10A-1-59-P	9,0	25
16	81,37	88,00	10A-1-16-P	9,0	12	60	303,32	310,80	10A-1-60-P	9,0	25
17	86,39	93,00	10A-1-17-P	9,0	12	62	313,43	321,40	10A-1-62-P	9,0	25
18	91,42	98,30	10A-1-18-P	9,0	12	64	321,53	331,50	10A-1-64-P	9,0	25
19	96,45	103,30	10A-1-19-P	9,0	12	65	328,58	336,50	10A-1-65-P	9,0	25
20	101,49	108,40	10A-1-20-P	9,0	12	66	333,63	341,60	10A-1-66-P	9,0	25
21	106,52	113,40	10A-1-21-P	9,0	12	68	343,74	351,70	10A-1-68-P	9,0	25
22	111,55	118,00	10A-1-22-P	9,0	12	70	353,84	361,80	10A-1-70-P	9,0	25
23	116,58	123,40	10A-1-23-P	9,0	12	72	363,95	371,90	10A-1-72-P	9,0	25
24	121,62	128,30	10A-1-24-P	9,0	12	75	379,09	387,10	10A-1-75-P	9,0	25
25	126,66	134,40	10A-1-25-P	9,0	12	76	384,16	392,10	10A-1-76-P	9,0	25
26	131,70	139,00	10A-1-26-P	9,0	16	78	394,25	402,20	10A-1-78-P	9,0	25
27	136,75	144,00	10A-1-27-P	9,0	16	80	404,35	412,30	10A-1-80-P	9,0	30
28	141,78	148,70	10A-1-28-P	9,0	16	85	429,62	437,60	10A-1-85-P	9,0	30
29	146,83	153,80	10A-1-29-P	9,0	16	90	454,88	462,80	10A-1-90-P	9,0	30
30	151,87	158,80	10A-1-30-P	9,0	16	95	480,14	488,50	10A-1-95-P	9,0	30
31	156,92	163,90	10A-1-31-P	9,0	16	100	505,39	513,40	10A-1-100-P	9,0	30
32	161,95	168,90	10A-1-32-P	9,0	16	110	555,92	563,90	10A-1-110-P	9,0	30
33	167,00	174,50	10A-1-33-P	9,0	16	114	576,13	584,10	10A-1-114-P	9,0	30
34	172,05	179,00	10A-1-34-P	9,0	16	120	606,45	614,40	10A-1-120-P	9,0	30
35	177,10	184,10	10A-1-35-P	9,0	20	125	631,51	639,70	10A-1-125-P	9,0	30
36	182,15	189,10	10A-1-36-P	9,0	20	Dvouřadé - Duplex					
37	187,20	194,20	10A-1-37-P	9,0	20						
38	192,24	199,20	10A-1-38-P	9,0	20	30	151,87	158,80	10A-2-30-P	26,9	20
39	197,29	204,20	10A-1-39-P	9,0	20	38	192,24	199,20	10A-2-38-P	26,9	20
40	202,34	209,30	10A-1-40-P	9,0	20	45	227,58	235,00	10A-2-45-P	26,9	20
41	207,39	214,80	10A-1-41-P	9,0	20	57	288,18	290,60	10A-2-57-P	26,9	25
42	212,44	219,90	10A-1-42-P	9,0	20	76	384,16	392,10	10A-2-76-P	26,9	25
43	217,49	224,90	10A-1-43-P	9,0	20	95	480,14	488,50	10A-2-95-P	26,9	30
44	222,53	230,00	10A-1-44-P	9,0	20	Trojřadé - Triplex					
45	227,58	235,00	10A-1-45-P	9,0	20						
46	232,63	240,10	10A-1-46-P	9,0	20	30	151,87	158,80	10A-3-30-P	45,0	20
47	237,68	245,10	10A-1-47-P	9,0	20	38	192,24	199,20	10A-3-38-P	45,0	25
48	242,73	250,20	10A-1-48-P	9,0	20	45	227,58	235,00	10A-3-45-P	45,0	25
49	247,78	255,20	10A-1-49-P	9,0	20	57	288,18	290,60	10A-3-57-P	45,0	25
50	252,82	260,30	10A-1-50-P	9,0	20	76	384,16	392,10	10A-3-76-P	45,0	30