

AM 45

Description

Product group	Wiper
Design	M metal reinforced
Profile no.	45
Material	NBR 90 3402, steel acc. to DIN EN 10139

Operational application limits

Temperature (°C):	-40 to +100
Running speed (m/s):	≤1

Media

Hydraulic oils acc. to DIN 51524
Part 1 - 3, lubricating oils, mineral oil
based lubricating greases, highly non-
flammable hydraulic fluids HFA, HFB,
HFC acc. to VDMA 24317

Function

The AM 45 is a single-acting wiper.
Because it is pressed against the rod,
dirt is wiped from the surface by the
action of the rod as it retracts. The
AM 45 is reinforced by a metal ring
which is vulcanized into the elastomer
body.

Installation

The AM 45 wiper can be installed
in an axially accessible housing. The
advantage lies in the simple design
of the installation housing and practical
easy installation, in particular with
smaller diameters. Please note that
the installation housing has to be
designed with light chamfering
(see table page 8).

Remarks

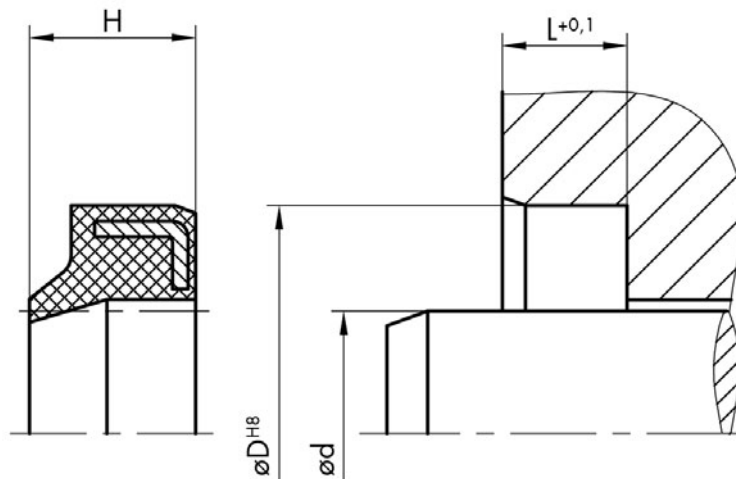
The metal ring ensures the correct
functional fit of the wiper in the
installation housing. The metal ring is
fully covered by the elastomer which
provides for a correct press fit with an
increased sealing effect on the outer
circumference. In addition, the AM 45
wiper is resistant to the influences of
corrosion.

Order code

Please include our item numbers in
your order. Should you require non-
standard dimensions, materials or ma-
terial combinations, please use the or-
der code on page 12.

Any seal. Any time.

All the items in our standard programme
(marked red) are standard stock items.
For all other items, please check the
availability at www.dichtomatik.de.

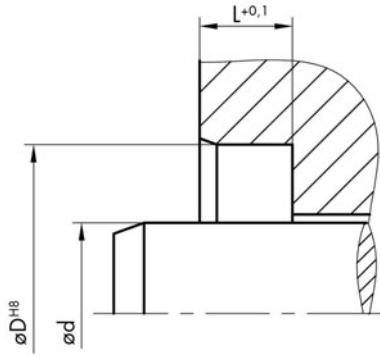


AM 45**Sizes**

Item No.	Code	d	D	H	L
21223	AM 45	6	13	4.5	3.5
21260	AM 45	8	14	5	4
21261	AM 45	10	16	5	4
21224	AM 45	10	20	8	5.5
21262	AM 45	12	18	5	4
153227	AM 45	12	20	6	4.5
21225	AM 45	12	22	8	5.5
22022	AM 45	12.7	18	4.5	3.5
21263	AM 45	14	20	5	4
84095	AM 45	14	22	4	3.5
21264	AM 45	15	21	5	4
21226	AM 45	15	25	7	5.5
22023	AM 45	16	22	4	3.5
6614	AM 45	16	22	5	4
153228	AM 45	16	22	6	4.5
65390	AM 45	16	24	5	4
21227	AM 45	16	26	8	5.5
65391	AM 45	17	22	7	5.5
21266	AM 45	18	28	7	5.5
21228	AM 45	18	28	10	7.5
131277	AM 45	19	26	8	5.5
6621	AM 45	20	28	5	4
149750	AM 45	20	28	10	7.5
6728	AM 45	20	30	6	4.5
6889	AM 45	20	30	7	5.5
21229	AM 45	20	30	10	7.5
21268	AM 45	22	32	7	5.5
21230	AM 45	22	32	10	7.5
21231	AM 45	24	35	8	5.5
134083	AM 45	25	32	7	5.5
40625	AM 45	25	33	7	4.5
21269	AM 45	25	35	7	5.5
21232	AM 45	25	35	10	7.5
22025	AM 45	25.4	34	8	5.5
21233	AM 45	26	35	10	7.5
21270	AM 45	28	38	7	5.5
21234	AM 45	28	40	10	7.5
49385	AM 45	28.57	52.38	12.7	10.31
21271	AM 45	30	40	7	5.5
21235	AM 45	30	40	10	7.5
21272	AM 45	32	42	7	5.5
21273	AM 45	32	42	10	7.5
21236	AM 45	32	45	10	7.5
90372	AM 45	34.92	57.15	12.7	10.31
149620	AM 45	35	45	7	5.5
21237	AM 45	35	45	10	7.5
21238	AM 45	36	45	10	7.5
21274	AM 45	36	46	7	5.5
21239	AM 45	38	48	10	7.5
21275	AM 45	40	50	8	5.5
21240	AM 45	40	50	10	7.5
21276	AM 45	42	52	7	5.5
21241	AM 45	42	52	10	7.5
79615	AM 45	44	55	10	7.5
21277	AM 45	45	55	7	5.5

AM 45

Sizes



Item No.	Code	d	D	H	L
21242	AM 45	45	55	10	7.5
74223	AM 45	45	60	10	7.5
116393	AM 45	46.03	69.85	15.87	10.31
21243	AM 45	48	60	10	7.5
118301	AM 45	49.21	63.5	12.7	10.31
21278	AM 45	50	60	7	5.5
150038	A M 45	50	60	8	5.5
21244	AM 45	50	60	10	7.5
7236	AM 45	50	65	10	7.5
21245	AM 45	52	62	10	7.5
36594	AM 45	55	63	10	7.5
21279	AM 45	55	65	7	5.5
21246	AM 45	55	65	10	7.5
21280	AM 45	56	66	7	5.5
21281	AM 45	60	70	7	5.5
21247	AM 45	60	70	10	7.5
21282	AM 45	63	73	7	5.5
7458	AM 45	63	75	10	7.5
126446	AM 45	63.5	73.02	10.31	7.54
21283	AM 45	65	75	7	5.5
21248	AM 45	65	75	10	7.5
21284	AM 45	70	80	7	5.5
21249	AM 45	70	80	10	7.5
21285	AM 45	75	83	10	7.5
21250	AM 45	75	85	10	7.5
21286	AM 45	80	88	10	7.5
21251	AM 45	80	90	10	7.5
21252	AM 45	85	95	10	7.5
65392	AM 45	90	100	7	5.5
21253	AM 45	90	100	10	7.5
21254	AM 45	95	105	10	7.5
21255	AM 45	100	110	10	7.5
21256	AM 45	105	115	10	7.5
21257	AM 45	110	120	10	7.5
143335	AM 45	110	125	10	7.5
21258	AM 45	115	125	10	7.5
21259	AM 45	120	130	10	7.5
65393	AM 45	125	140	12	9.5
65394	AM 45	130	145	12	9.5
65395	AM 45	140	155	12	9.5
65396	AM 45	150	165	12	9.5
65397	AM 45	160	175	12	9.5
22024	AM 45	180	195	14	10.5
22026	AM 45	220	240	16	12.5