

## AM 44

### Description

|               |                                         |
|---------------|-----------------------------------------|
| Product group | Wiper                                   |
| Design        | M with metal bonded fit                 |
| Profile no.   | 44                                      |
| Material      | TPU 95 3401, steel acc. to DIN EN 10139 |

### Operational application limits

Temperature (°C): -40 to +100  
Running speed (m/s):  $\leq 2$

### Media

Hydraulic oils acc. to DIN 51524 Part 1 - 3, lubricating oils, mineral oil based lubricating greases, highly non-flammable hydraulic fluids HFA, HFB, HFC acc. to VDMA 24317

### Function

The AM 44 is a single-acting wiper. Because it is pressed against the rod, dirt is wiped from the surface during the descent of the rod. On the outer diameter, a metal angle ring is vulcanised onto the TPU polyurethane body.

### Installation

The AM 44 is a single-acting wiper. Because it is pressed against the rod, dirt is wiped from the surface by the action of the rod as it retracts. On the outer diameter, a metal caged ring is vulcanised onto the TPU body.

### Remarks

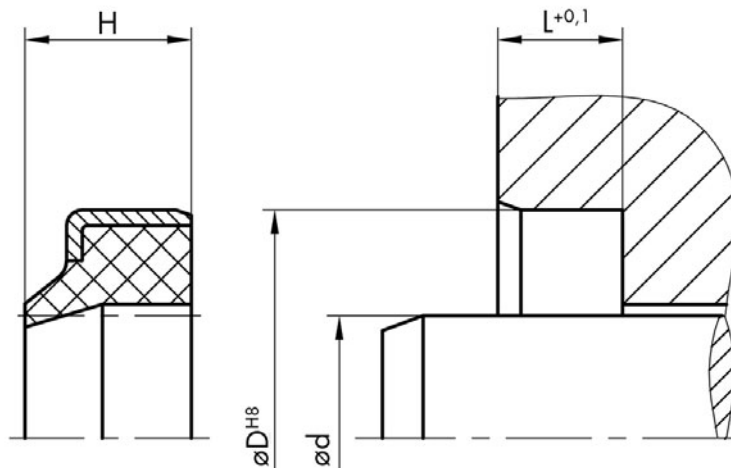
The metal caged ring ensures the correct functional fit of the wiper in the installation housing. Wipers made of TPU are well suited for application in mobile hydraulic systems which are subjected to heavy dirt loads. Due to the good wear resistance of Polyurethane, the AM 44 has a long service life.

### Order code

Please include our item numbers in your order. Should you require non-standard dimensions, materials or material combinations, please use the order code on page 12.

### Any seal. Any time.

All the items in our standard programme (marked red) are standard stock items. For all other items, please check the availability at [www.dichtomatik.de](http://www.dichtomatik.de).

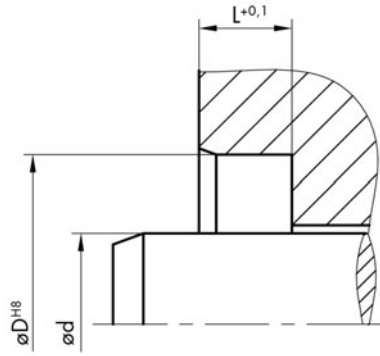


**AM 44****Sizes**

| Item No. | Code  | d  | D  | H   | L   |
|----------|-------|----|----|-----|-----|
| 62249    | AM 44 | 8  | 14 | 5   | 3.5 |
| 123027   | AM 44 | 8  | 18 | 7   | 5   |
| 123028   | AM 44 | 9  | 19 | 7   | 5   |
| 171211   | AM 44 | 10 | 16 | 5   | 3.5 |
| 20988    | AM 44 | 10 | 20 | 8   | 5   |
| 171260   | AM 44 | 12 | 18 | 5   | 3.5 |
| 20989    | AM 44 | 12 | 20 | 6   | 4   |
| 20990    | AM 44 | 12 | 22 | 8   | 5   |
| 62253    | AM 44 | 14 | 20 | 5   | 3.5 |
| 123029   | AM 44 | 14 | 24 | 7   | 5   |
| 24851    | AM 44 | 14 | 25 | 7   | 5   |
| 62254    | AM 44 | 14 | 25 | 5   | 3.5 |
| 62255    | AM 44 | 15 | 21 | 5   | 3.5 |
| 16551    | AM 44 | 15 | 25 | 8   | 5   |
| 16552    | AM 44 | 16 | 22 | 4   | 3   |
| 62256    | AM 44 | 16 | 22 | 5   | 3.5 |
| 4206     | AM 44 | 16 | 22 | 6   | 4   |
| 16553    | AM 44 | 16 | 26 | 8   | 5   |
| 118395   | AM 44 | 17 | 24 | 5   | 3.5 |
| 124085   | AM 44 | 18 | 28 | 7   | 5   |
| 62257    | AM 44 | 18 | 28 | 8   | 5   |
| 16554    | AM 44 | 18 | 28 | 10  | 7   |
| 123030   | AM 44 | 18 | 30 | 9   | 6   |
| 148557   | AM 44 | 19 | 26 | 8   | 5   |
| 148848   | AM 44 | 19 | 27 | 9.5 | 6.4 |
| 151795   | AM 44 | 19 | 27 | 5.2 | 4   |
| 89982    | AM 44 | 20 | 28 | 5   | 3.5 |
| 16555    | AM 44 | 20 | 30 | 6   | 4   |
| 20723    | AM 44 | 20 | 30 | 10  | 7   |
| 62258    | AM 44 | 20 | 30 | 8   | 5   |
| 123031   | AM 44 | 20 | 32 | 9   | 6   |
| 171212   | AM 44 | 22 | 28 | 8   | 5   |
| 62260    | AM 44 | 22 | 32 | 8   | 5   |
| 16556    | AM 44 | 22 | 32 | 10  | 7   |
| 62261    | AM 44 | 25 | 32 | 8   | 5   |
| 16581    | AM 44 | 25 | 35 | 8   | 5   |
| 16557    | AM 44 | 25 | 35 | 10  | 7   |
| 123032   | AM 44 | 25 | 37 | 9   | 6   |
| 123033   | AM 44 | 27 | 39 | 9   | 6   |
| 62262    | AM 44 | 28 | 38 | 8   | 5   |
| 62263    | AM 44 | 28 | 38 | 10  | 7   |
| 123034   | AM 44 | 28 | 40 | 9   | 6   |
| 20991    | AM 44 | 28 | 40 | 10  | 7   |
| 16558    | AM 44 | 30 | 40 | 8   | 5   |
| 20992    | AM 44 | 30 | 40 | 10  | 7   |
| 123035   | AM 44 | 30 | 42 | 9   | 6   |
| 16559    | AM 44 | 30 | 45 | 8   | 5   |
| 62264    | AM 44 | 32 | 42 | 8   | 5   |
| 62265    | AM 44 | 32 | 42 | 10  | 7   |
| 123036   | AM 44 | 32 | 44 | 10  | 7   |
| 20993    | AM 44 | 32 | 45 | 6   | 4   |
| 16560    | AM 44 | 32 | 45 | 10  | 7   |
| 171213   | AM 44 | 33 | 43 | 10  | 7   |
| 16561    | AM 44 | 35 | 45 | 10  | 7   |
| 123037   | AM 44 | 35 | 47 | 10  | 7   |

**AM 44**

**Sizes**



| Item No. | Code  | d  | D  | H  | L |
|----------|-------|----|----|----|---|
| 20994    | AM 44 | 36 | 45 | 10 | 7 |
| 171214   | AM 44 | 36 | 46 | 7  | 5 |
| 143975   | AM 44 | 36 | 46 | 10 | 7 |
| 75211    | AM 44 | 36 | 50 | 10 | 7 |
| 62269    | AM 44 | 38 | 48 | 10 | 7 |
| 123038   | AM 44 | 38 | 50 | 10 | 7 |
| 16562    | AM 44 | 40 | 50 | 8  | 5 |
| 16563    | AM 44 | 40 | 50 | 10 | 7 |
| 117599   | AM 44 | 40 | 52 | 10 | 7 |
| 46874    | AM 44 | 40 | 60 | 10 | 7 |
| 171216   | AM 44 | 42 | 52 | 8  | 5 |
| 16564    | AM 44 | 42 | 52 | 10 | 7 |
| 171217   | AM 44 | 45 | 55 | 8  | 5 |
| 20995    | AM 44 | 45 | 55 | 10 | 7 |
| 123039   | AM 44 | 45 | 57 | 10 | 7 |
| 16565    | AM 44 | 45 | 60 | 10 | 7 |
| 123040   | AM 44 | 47 | 59 | 10 | 7 |
| 35310    | AM 44 | 48 | 60 | 10 | 7 |
| 174362   | AM 44 | 48 | 62 | 10 | 7 |
| 21146    | AM 44 | 50 | 56 | 8  | 5 |
| 62272    | AM 44 | 50 | 60 | 8  | 5 |
| 16566    | AM 44 | 50 | 60 | 10 | 7 |
| 123041   | AM 44 | 50 | 62 | 10 | 7 |
| 21133    | AM 44 | 52 | 62 | 10 | 7 |
| 123042   | AM 44 | 53 | 67 | 11 | 8 |
| 16567    | AM 44 | 55 | 63 | 10 | 7 |
| 62273    | AM 44 | 55 | 65 | 8  | 5 |
| 20996    | AM 44 | 55 | 65 | 10 | 7 |
| 123043   | AM 44 | 55 | 69 | 11 | 8 |
| 171218   | AM 44 | 56 | 66 | 8  | 5 |
| 21129    | AM 44 | 56 | 66 | 10 | 7 |
| 123044   | AM 44 | 56 | 70 | 11 | 8 |
| 171219   | AM 44 | 60 | 70 | 8  | 5 |
| 20997    | AM 44 | 60 | 70 | 10 | 7 |
| 37431    | AM 44 | 60 | 74 | 8  | 5 |
| 123045   | AM 44 | 60 | 74 | 11 | 8 |
| 62276    | AM 44 | 63 | 73 | 8  | 5 |
| 144207   | AM 44 | 63 | 73 | 10 | 7 |
| 16568    | AM 44 | 63 | 75 | 10 | 7 |
| 123046   | AM 44 | 63 | 77 | 11 | 8 |
| 123047   | AM 44 | 64 | 78 | 11 | 8 |
| 171220   | AM 44 | 65 | 75 | 8  | 5 |
| 20998    | AM 44 | 65 | 75 | 10 | 7 |
| 123048   | AM 44 | 65 | 79 | 11 | 8 |
| 123049   | AM 44 | 67 | 81 | 11 | 8 |
| 171221   | AM 44 | 70 | 80 | 8  | 5 |
| 20999    | AM 44 | 70 | 80 | 10 | 7 |
| 123050   | AM 44 | 70 | 84 | 11 | 8 |
| 123051   | AM 44 | 71 | 85 | 11 | 8 |
| 171222   | AM 44 | 75 | 83 | 10 | 7 |
| 21000    | AM 44 | 75 | 85 | 10 | 7 |
| 123052   | AM 44 | 75 | 89 | 11 | 8 |
| 171223   | AM 44 | 80 | 88 | 10 | 7 |
| 16569    | AM 44 | 80 | 90 | 10 | 7 |
| 123053   | AM 44 | 80 | 94 | 11 | 8 |

**AM 44****Sizes**

| Item No. | Code  | d   | D   | H  | L  |
|----------|-------|-----|-----|----|----|
| 24264    | AM 44 | 82  | 92  | 10 | 7  |
| 16570    | AM 44 | 85  | 95  | 10 | 7  |
| 123054   | AM 44 | 85  | 99  | 11 | 8  |
| 16571    | AM 44 | 90  | 100 | 10 | 7  |
| 123055   | AM 44 | 90  | 104 | 11 | 8  |
| 57273    | AM 44 | 90  | 110 | 14 | 10 |
| 123056   | AM 44 | 92  | 106 | 11 | 8  |
| 21130    | AM 44 | 95  | 105 | 10 | 7  |
| 68553    | AM 44 | 95  | 109 | 11 | 8  |
| 16572    | AM 44 | 100 | 110 | 10 | 7  |
| 123057   | AM 44 | 100 | 114 | 11 | 8  |
| 16573    | AM 44 | 100 | 115 | 11 | 8  |
| 62280    | AM 44 | 105 | 115 | 10 | 7  |
| 68559    | AM 44 | 105 | 121 | 12 | 9  |
| 123058   | AM 44 | 106 | 122 | 12 | 9  |
| 21001    | AM 44 | 110 | 120 | 10 | 7  |
| 123059   | AM 44 | 110 | 126 | 12 | 9  |
| 123060   | AM 44 | 112 | 128 | 12 | 9  |
| 35884    | AM 44 | 115 | 125 | 10 | 7  |
| 123061   | AM 44 | 118 | 134 | 12 | 9  |
| 16574    | AM 44 | 120 | 130 | 10 | 7  |
| 123062   | AM 44 | 120 | 136 | 12 | 9  |
| 62281    | AM 44 | 125 | 140 | 12 | 9  |
| 123063   | AM 44 | 125 | 141 | 12 | 9  |
| 16575    | AM 44 | 130 | 145 | 12 | 9  |
| 123065   | AM 44 | 130 | 146 | 12 | 9  |
| 123066   | AM 44 | 132 | 148 | 12 | 9  |
| 21350    | AM 44 | 135 | 150 | 12 | 9  |
| 123067   | AM 44 | 135 | 155 | 14 | 10 |
| 16576    | AM 44 | 140 | 155 | 12 | 9  |
| 123068   | AM 44 | 140 | 160 | 16 | 10 |
| 123069   | AM 44 | 145 | 165 | 14 | 10 |
| 16577    | AM 44 | 150 | 165 | 12 | 9  |
| 123070   | AM 44 | 150 | 170 | 14 | 10 |
| 16578    | AM 44 | 160 | 175 | 12 | 9  |
| 123071   | AM 44 | 160 | 180 | 14 | 10 |
| 123072   | AM 44 | 165 | 185 | 14 | 10 |
| 123073   | AM 44 | 170 | 190 | 14 | 10 |
| 123074   | AM 44 | 175 | 195 | 14 | 10 |
| 36615    | AM 44 | 180 | 195 | 14 | 10 |
| 123075   | AM 44 | 180 | 205 | 17 | 12 |
| 123076   | AM 44 | 190 | 215 | 17 | 12 |
| 74322    | AM 44 | 200 | 216 | 12 | 9  |
| 25957    | AM 44 | 200 | 220 | 16 | 12 |
| 123077   | AM 44 | 200 | 225 | 17 | 12 |
| 123078   | AM 44 | 210 | 235 | 17 | 12 |
| 123079   | AM 44 | 212 | 237 | 17 | 12 |
| 123080   | AM 44 | 220 | 245 | 17 | 12 |
| 123081   | AM 44 | 224 | 249 | 17 | 12 |
| 123082   | AM 44 | 225 | 250 | 17 | 12 |
| 74323    | AM 44 | 240 | 260 | 14 | 10 |
| 78247    | AM 44 | 250 | 270 | 17 | 12 |
| 123085   | AM 44 | 250 | 275 | 17 | 12 |
| 155757   | AM 44 | 254 | 274 | 16 | 12 |
| 22824    | AM 44 | 270 | 295 | 16 | 12 |
| 36574    | AM 44 | 280 | 300 | 16 | 12 |