

AM 43

Description

Product group	Wiper
Design	M with metal bonded fit
Profile no.	43
Material	NBR 90 3402, steel acc. to DIN EN 10139

Operational application limits

Temperature (°C):	-40 to +100
Running speed (m/s):	≤1

Media

Hydraulic oils acc. to DIN 51524 Part 1 - 3, lubricating oils, mineral oil based lubricating greases, highly non-flammable hydraulic fluids HFA, HFB, HFC acc. to VDMA 24317

Function

The AM 43 is a single-acting wiper. Because it is pressed against the rod, dirt is wiped from the surface by the action of the rod as it retracts. On the outer diameter, a metal caged ring is vulcanised onto the elastomer body.

Installation

The AM 43 wiper can be installed in an axially accessible housing. The advantage lies in the simple design of the installation housing and practical easy installation, in particular with smaller diameters. Please note that the installation housing has to be designed with light chamfering (see table page 8).

Remarks

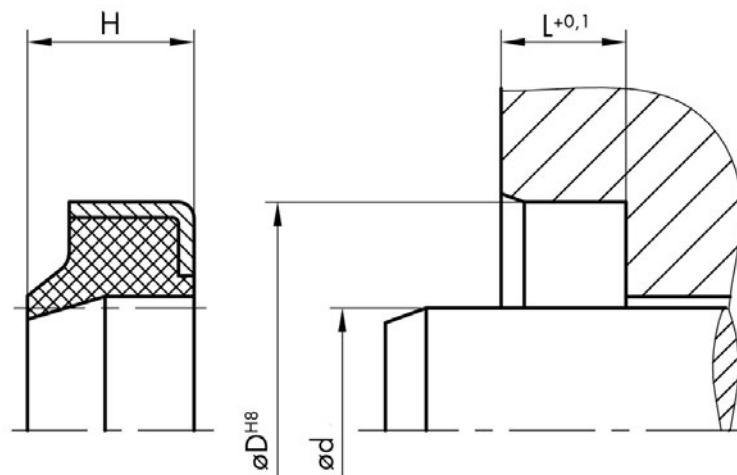
The metal caged ring ensures the correct functional fit of the wiper in the installation housing due to a press fit allowance. The design of the metal angle ring leaves only a small surface area open to attack by corrosive media.

Order code

Please include our item numbers in your order. Should you require non-standard dimensions, materials or material combinations, please use the order code on page 12.

Any seal. Any time.

All the items in our standard programme (marked red) are standard stock items. For all other items, please check the availability at www.dichtomatik.de.

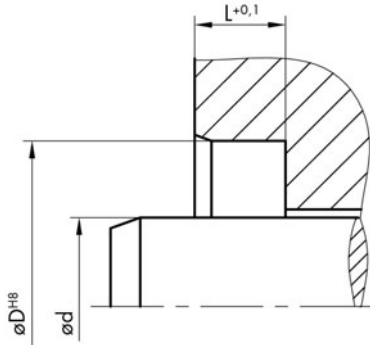


AM 43**Sizes**

Item No.	Code	d	D	H	L
21140	AM 43	6	13	4.5	3
45078	AM 43	8	14	5	3.5
173658	AM 43	8	15	5	3
23767	AM 43	8	22	4.5	3
16492	AM 43	10	16	4.5	3
27487	AM 43	10	16	7	5
2760	AM 43	10	18	8	5
16493	AM 43	10	20	8	5
61273	AM 43	10	20	7	5
61265	AM 43	12	18	4	3
16494	AM 43	12	20	6	4
16495	AM 43	12	22	8	5
59384	AM 43	12	25	8	5
161568	AM 43	12.7	18	4.5	3
2794	AM 43	14	20	5	4
16496	AM 43	14	22	4	3
16497	AM 43	15	25	8	5
65092	AM 43	15	25	10	7
16498	AM 43	16	22	4	3
61264	AM 43	16	22	5	3.5
16499	AM 43	16	26	8	5
22371	AM 43	16	26	10	7
79296	AM 43	18	26	4	3
4714	AM 43	18	26	7	5
61267	AM 43	18	28	6	5
75429	AM 43	18	28	12	7
16500	AM 43	18	28	10	7
132570	AM 43	19.05	25.4	5.55	3.17
78465	AM 43	19.05	28.57	7.14	4.76
143935	AM 43	19.05	31.75		6.35
5187	AM 43	20	26	7	4
2950	AM 43	20	26	8	5
129955	AM 43	20	27	10	7
2951	AM 43	20	28	8	5
16501	AM 43	20	28	5	3.5
16502	AM 43	20	30	6	4
74558	AM 43	20	30	8	5
16503	AM 43	20	30	10	7
117865	AM 43	20	30	6	4
59653	AM 43	20	35	10	7
171273	AM 43	21	28	5	3.5
26548	AM 43	22	28	8	5
76237	AM 43	22	30	8	5
85422	AM 43	22	32	6	4
64126	AM 43	22	32	8	5
16504	AM 43	22	32	10	7
59654	AM 43	22	35	8	5
116326	AM 43	24	32	7	5
3428	AM 43	24	35	10	7
79297	AM 43	25	35	4	3
24132	AM 43	25	35	8	5
16505	AM 43	25	35	10	7
83150	AM 43	25	35	8.8	7
46296	AM 43	25.4	33.34	6.35	4.76
131276	AM 43	25.4	34	8	5

AM 43

Sizes



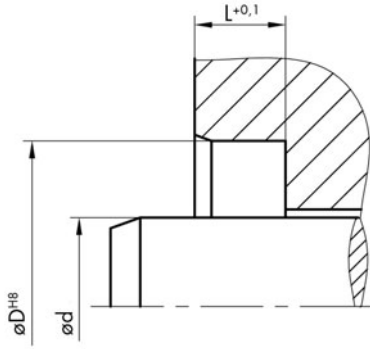
Item No.	Code	d	D	H	L
35246	AM 43	25.4	34.92	6.35	4.76
143934	AM 43	25.4	38.1		7.95
22139	AM 43	26	34	8	5
5206	AM 43	26	35	10	7
79298	AM 43	28	34	7	5
20625	AM 43	28	38	8	5
22659	AM 43	28	38	10	7
16506	AM 43	28	40	10	7
81078	AM 43	29.5	40	10	7
16507	AM 43	30	40	8	5
16508	AM 43	30	40	10	7
61274	AM 43	30	40	7	5
118396	AM 43	30	42	8	5
36854	AM 43	30	42	10	7
37116	AM 43	30	45	8	5
27514	AM 43	32	40	7	4
39882	AM 43	32	40	10	7
35608	AM 43	32	42	7	5
16579	AM 43	32	42	10	7
16509	AM 43	32	45	8	4
16583	AM 43	32	45	8	5
16510	AM 43	32	45	10	7
134006	AM 43	32	50	10	7
61266	AM 43	35	45	7	5
16511	AM 43	35	45	10	7
36596	AM 43	35	47	10	7
124713	AM 43	35	48	8	5
131010	AM 43	35	48	12	6.5
56908	AM 43	35	50	12	9
3871	AM 43	35	52	10	7
16512	AM 43	36	45	10	7
61272	AM 43	36	46	7	5
3875	AM 43	36	46	10	7
16513	AM 43	38	48	10	7
81077	AM 43	39.5	50	10	7
16514	AM 43	40	50	8	5
16515	AM 43	40	50	10	7
134389	AM 43	40	50	5	3.5
16516	AM 43	40	52	8	5
22372	AM 43	40	52	10	7
56909	AM 43	40	55	12	9
126349	AM 43	40	62	10	7
16517	AM 43	42	52	10	7
73967	AM 43	44	55	8	5
61268	AM 43	45	55	7	5
16518	AM 43	45	55	10	7
124591	AM 43	45	57	10	7
16519	AM 43	45	60	10	7
108092	AM 43	47	57	10	7
16520	AM 43	48	60	10	7
69363	AM 43	50	56	6	4
16521	AM 43	50	56	7	5
5347	AM 43	50	56	8	5
61269	AM 43	50	60	7	5
16522	AM 43	50	60	10	7

AM 43**Sizes**

Item No.	Code	d	D	H	L
173664	AM 43	50	62	7	5
160711	AM 43	50	62	8	5
21287	AM 43	50	65	8	5
16523	AM 43	50	65	10	7
21288	AM 43	52	62	10	7
16524	AM 43	55	63	10	7
24143	AM 43	55	65	7	5
16525	AM 43	55	65	10	7
173788	AM 43	55	70	10	7
4724	AM 43	55	80	8	5
59655	AM 43	56	65	10	7
16526	AM 43	56	66	10	7
173716	AM 43	56	70	10	8
61270	AM 43	60	70	7	5
16527	AM 43	60	70	10	7
22935	AM 43	60	74	8	5
16550	AM 43	60	75	10	7
21498	AM 43	60	80	10	7
4031	AM 43	63	73	10	7
16528	AM 43	63	75	10	7
61271	AM 43	65	75	7	5
16529	AM 43	65	75	10	7
24142	AM 43	70	80	7	5
16530	AM 43	70	80	10	7
123173	AM 43	70	90	10	7
4754	AM 43	73	89	10	7
150828	AM 43	74	85	10	7
16531	AM 43	75	85	10	7
37874	AM 43	75	87	7	5
90140	AM 43	78	88	10	7
16532	AM 43	80	90	10	7
173928	AM 43	80	100	15	12
89893	AM 43	82.55	92	10	7
4759	AM 43	84	94	8	5
16533	AM 43	85	95	10	7
16534	AM 43	90	100	10	7
4872	AM 43	90	100	7	5
150829	AM 43	94	115	10	7
16535	AM 43	95	105	10	7
4881	AM 43	100	110	8	5
16536	AM 43	100	110	10	7
89993	AM 43	100	115	10	8
16537	AM 43	105	115	10	7
16538	AM 43	110	120	10	7
16539	AM 43	115	125	10	7
16540	AM 43	120	130	10	7
149713	AM 43	120	135	10	6
4891	AM 43	123	147	12	9
4912	AM 43	125	140	10	7
16541	AM 43	125	140	12	9
16542	AM 43	130	145	12	9
4151	AM 43	135	145	10	7
59656	AM 43	135	150	12	9
16543	AM 43	140	155	12	9
56926	AM 43	145	160	12	9

AM 43

Sizes



Item No.	Code	d	D	H	L
16544	AM 43	150	165	12	9
4921	AM 43	150	166	12	8
16545	AM 43	160	175	12	9
5172	AM 43	165	180	16	12
16546	AM 43	170	185	14	10
4245	AM 43	175	190	12	9
16547	AM 43	180	195	14	10
151423	AM 43	190	210	14	10
4318	AM 43	200	215	12	9
16548	AM 43	200	220	16	12
5332	AM 43	210	230	16	12
16549	AM 43	220	240	16	12
5335	AM 43	240	260	16	12
4463	AM 43	250	270	16	12
76147	AM 43	275	300	16	12
126143	AM 43	280	295	13	9.5
4510	AM 43	280	300	16	12
4546	AM 43	320	340	16	12
121413	AM 43	350	370	16	12
5340	AM 43	400	420	16	12