

AE 47

Description

Product group	Wiper
Design	E single-acting
Profile no.	47
Material	TPU 90 3001

Operational application limits

Temperature (°C): -40 to +100
Running speed (m/s): ≤2

Media

Hydraulic oils acc. to DIN 51524
Part 1 - 3, lubricating oils, mineral oil based lubricating greases, highly non-flammable hydraulic fluids HFA, HFB, HFC acc. to VDMA 24317

Function

The AE 47 is a single-acting wiper. Because it is pressed against the rod, dirt is wiped from the surface by the action of the rod as it retracts.

Installation

The wiper is installed in a semi-closed axial groove.

Remarks

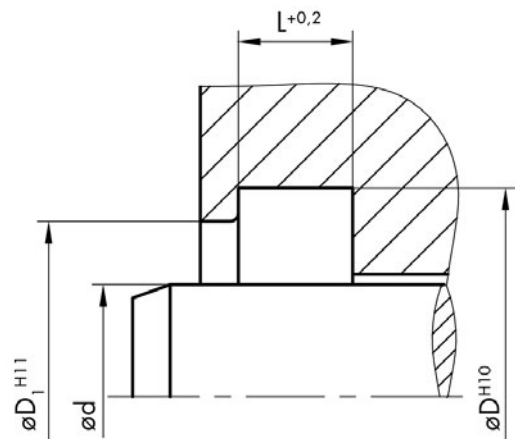
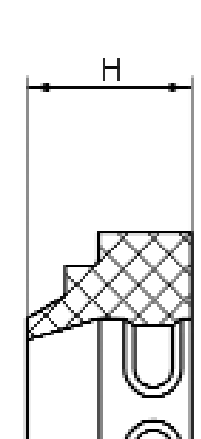
Wipers made of TPU are well suited to applications in mobile hydraulics where they are subjected to a heavy dirt load. Due to the good wear resistance of polyurethane, the AE 47 has a long service life. Due to the additional diameter step on the outer fit, the AE 47 provides better sealing and exerts a stronger wiping force on the rod. AE 47 standard dimensions have pads on the inner diameter which support the correct functional fit of the wiper.

Order code

Please include our item numbers in your order. Should you require non-standard dimensions, materials or material combinations, please use the order code on page 12.

Any seal. Any time.

All the items in our standard programme (marked red) are standard stock items. For all other items, please check the availability at www.dichtomatik.de.



AE 47**Sizes**

Item No.	Code	d	Dn	D	D ₁	H	L
130615	AE 47	10	18	18	16	7	4
108414	AE 47	18	26	26	24	7	4
35649	AE 47	20	28	28	26	7	4
62237	AE 47	22	30	30	28	7	4
57690	AE 47	25	33	33	31	7	4
62238	AE 47	28	36	36	34	7	4
34885	AE 47	30	38	38	36	7	4
57691	AE 47	32	40	40	38	7	4
36881	AE 47	35	43	43	41	7	4
62239	AE 47	36	44	44	42	7	4
34859	AE 47	40	48	48	46	7	4
44583	AE 47	45	53	53	51	7	4
35050	AE 47	50	58	58	56	7	4
35049	AE 47	55	63	63	61	7	4
62241	AE 47	56	64	64	62	7	4
35531	AE 47	60	68	68	66	7	4
173679	AE 47	63	71	71	69	7	4
62244	AE 47	65	73	73	71	7	4
62245	AE 47	70	78	78	76	7	4
62246	AE 47	75	83	83	81	7	4
35532	AE 47	80	88	88	86	7	4
62247	AE 47	85	93	93	91	7	4
35533	AE 47	100	108	108	106	7	4
108420	AE 47	110	122	122	119	10	5.5
108428	AE 47	150	162	162	159	10	5.5
108431	AE 47	180	192	192	189	10	5.5