

AE 40

Description

Product group	Wiper
Design	E single-acting
Profile no.	40
Material	NBR 90 3006

Operational application limits

Temperature (°C): -40 to +100

Running speed (m/s): ≤ 4

Media

Hydraulic oils acc. to DIN 51524 Part 1 - 3, lubricating oils, mineral oil based lubricating greases, highly non-flammable hydraulic fluids HFA, HFB, HFC acc. to VDMA 24317

Function

The AE 40 is a single-acting wiper. Because it is pressed against the rod, dirt is wiped from the surface by the action of the rod as it retracts.

Installation

The wiper is installed in a semi-closed axial groove.

Remarks

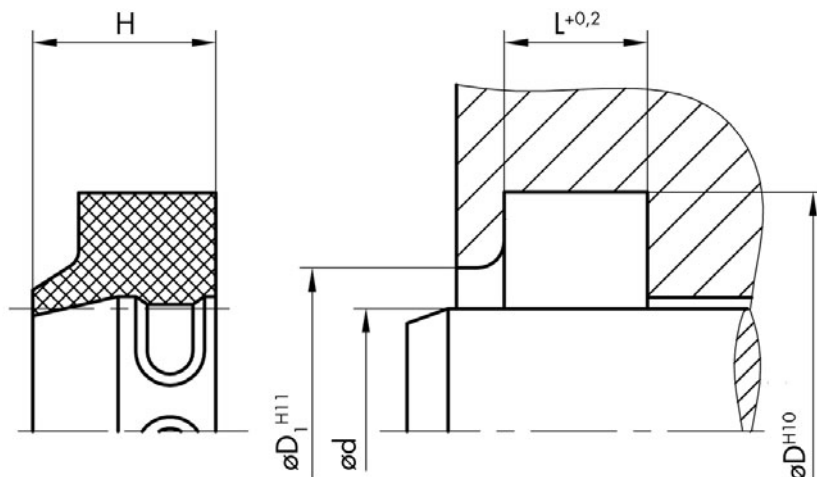
Wipers made of NBR are used in hydraulics and pneumatics. They are particularly suitable for rods with high stroke speeds. The AE 40 standard dimensions has pads on the inner diameter which support the correct functional fit.

Order code

Please include our item numbers in your order. Should you require non-standard dimensions, materials or material combinations, please use the order code on page 12.

Any seal. Any time.

All the items in our standard programme (marked red) are standard stock items. For all other items, please check the availability at www.dichtomatik.de.



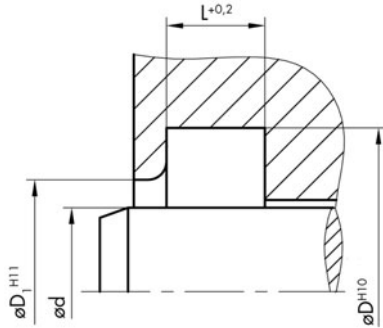
AE 40

Sizes

Item No.	Code	d	Dn	D	D ₁	H	L
65398	AE 40	12	18	18.6	14	5.5	3.8
65374	AE 40	15	21	21.6	18	5.5	3.8
65375	AE 40	16	22	22.6	19	5.5	3.7
65377	AE 40	18	24	24.6	21	5.5	3.8
117818	AE 40	18	30	30.6	21	7	5.3
65378	AE 40	19	28	28.4	23	7	5.3
20980	AE 40	20	28	28.6	23	7	5.3
20981	AE 40	22	30	30.6	25	7	5.3
65379	AE 40	24	32	32.6	27	7	5.3
20982	AE 40	25	33	33.6	28	7	5.3
65380	AE 40	27	35	35.6	30	7	5.3
16617	AE 40	28	36	36.6	31	7	5.3
20983	AE 40	30	38	38.6	33	7	5.3
20984	AE 40	32	40	40.6	35	7	5.3
83773	AE 40	33	42	42.6	36	7	5.3
16623	AE 40	35	43	43.6	38	7	5.3
117819	AE 40	35	47	47.6	38	7	5.3
118933	AE 40	35	47	47.2	38	7	4.3
20985	AE 40	36	44	44.6	39	7	5.3
173601	AE 40	38	46	46.6	41	7	5.3
16624	AE 40	40	48	48.6	43	7	5.3
46774	AE 40	40	52	52.2	46	8	6.3
20986	AE 40	42	50	50.6	45	7	5.3
26293	AE 40	45	53	53.6	48	7	5.3
20987	AE 40	45	55	55.6	48	7	5.3
173604	AE 40	46	54	54.6	49	7	5.3
65383	AE 40	48	56	56.6	51	7	5.3
24671	AE 40	50	58	58.6	53	7	5.3
20960	AE 40	50	60	60.6	53	7	5.3
65384	AE 40	53	61	61.6	56	7	5.3
16620	AE 40	55	63	63.6	58	7	5.3
20961	AE 40	55	65	65.6	58	7	5.3
20962	AE 40	56	66	66.6	59	7	5.3
118174	AE 40	58	68	68.6	61	7	5.3
16622	AE 40	60	68	68.6	63	7	5.3
20963	AE 40	60	70	70.6	63	7	5.3
65385	AE 40	63	71	71.6	66	7	5.3
20964	AE 40	63	73	73.6	66	7	5.3
173607	AE 40	63	75	75.2	69	9	6.3
64737	AE 40	65	73	73.6	68	7	5.3
20965	AE 40	65	75	75.6	68	7	5.3
22344	AE 40	70	78	78.6	73	7	5.3
20966	AE 40	70	80	80.6	73	7	5.3
173602	AE 40	70	82	82.2	76	12	7.2
22345	AE 40	75	83	83.2	78	7	5.3
118169	AE 40	75	85	85.6	78	7	5.3
20967	AE 40	75	87	87.2	81	12	7.2
16619	AE 40	80	88	88.6	83	7	5.3
20968	AE 40	80	92	92.2	86	12	7.2
173609	AE 40	84	91.7	92.3	87	7	5.3
65388	AE 40	85	93	93.6	88	7	5.3
20969	AE 40	85	97	97.2	91	12	7.2
173605	AE 40	88	100	100.2	94	12	7.2
46778	AE 40	90	100	100.6	93	12	7.2
20970	AE 40	90	102	102.2	96	12	7.2

AE 40

Sizes



Item No.	Code	d	Dn	D	D ₁	H	L
5375	AE 40	95	103	103.6	98	7	5.3
22346	AE 40	95	107	107.2	101	12	7.2
2238	AE 40	100	108	108.6	103	7	5.3
20971	AE 40	100	112	112.2	106	12	7.2
173597	AE 40	103	115	115.2	109	12	7.2
5376	AE 40	105	113	113.6	108	7	5.3
24778	AE 40	105	117	117.2	111	12	7.2
5379	AE 40	110	118	118.6	113	7	5.3
20972	AE 40	110	122	122.2	116	12	7.2
5382	AE 40	115	123	123.2	118	7	5.3
5383	AE 40	115	125	125.6	118	7	5.3
20973	AE 40	115	127	127.2	121	12	7.2
173599	AE 40	120	128	128.6	123	7	5.3
16618	AE 40	120	132	132.2	126	12	7.2
5386	AE 40	125	133	133.6	128	7	5.3
173603	AE 40	125	137	137.2	131	12	7.2
20974	AE 40	125	140	140	132.5	16	10.2
64811	AE 40	130	142	142.6	136	12	7.2
1696	AE 40	135	147	147	141	12	7.2
173598	AE 40	135	149	149.2	141	12	7.2
64812	AE 40	140	152	152.2	146	12	7.1
20975	AE 40	140	155	155.6	147.5	16	10.2
20976	AE 40	150	165	165.6	157.5	16	10.2
5409	AE 40	155	167	167.2	161	12	7.2
20977	AE 40	160	175	175.6	167.5	16	10.2
5486	AE 40	170	182	182.2	176	12	7.2
74690	AE 40	170	185	185	177.5	16	10.2
20978	AE 40	180	200	200	190	18	10.2
122094	AE 40	185	197	197	191	12	7.2
20979	AE 40	200	220	220	210	18	10.2
5553	AE 40	210	225	225	217.6	16	10.2
42638	AE 40	220	240	240	230	18	10.2
173606	AE 40	240	248	248	238	7	5.3
5685	AE 40	240	260	260	250	18	10.2
5688	AE 40	250	270	270	260	18	10.2
115573	AE 40	260	280	280	270	18	10.2
173600	AE 40	280	300	300	290	18	10.2
73199	AE 40	300	320	320	310	18	10.2
173608	AE 40	360	380	380	370	16	10.2