

## AD 60

### Description

Product group	Wiper
Design	D Double wiper
Profile no.	60
Seal material	PTFE 00 9807
O-ring material	NBR 70 0100

### Operational application limits

Temperature (°C): -30 to +100  
Running speed (m/s): ≤15

### Media

Hydraulic oils acc. to DIN 51524 Part 1 - 3, lubricating oils, mineral oil based lubricating greases, highly non-flammable hydraulic fluids HFA, HFB, HFC acc. to VDMA 24317, hot air and water steam.

### Function

The AD 60 is a double-acting wiper made of a PTFE-bronze Compound with an O-ring made of NBR as an energising element. It provides a double function wiping the dirt from the rod and retaining the residue oil film with the second lip. The retained oil can be returned to the system through a leakage bore hole.

### Installation

With smaller diameters installation in axially accessible installation housings is recommended. With larger diameters, the ring can be installed in closed housing. Subsequent calibration is necessary.

### Remarks

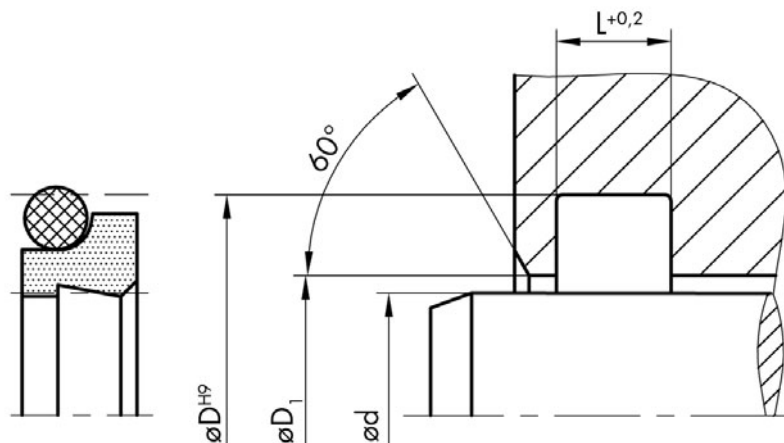
Due to the good sliding properties of PTFE, this wiper is suitable for short stroke cylinders with high running speed and high stroke frequency.

### Order code

Please include our item numbers in your order. Should you require non-standard dimensions, materials or material combinations, please use the order code on page 12.

### Any seal. Any time.

All the items in our standard programme (marked red) are standard stock items. For all other items, please check the availability at [www.dichtomatik.de](http://www.dichtomatik.de).

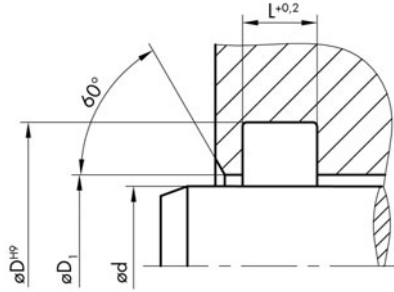


**AD 60****Sizes**

Item No.	Code	d	D	L
174009	AD 60	6	10.8	3.7
174011	AD 60	8	12.8	3.7
174013	AD 60	10	14.8	3.7
82862	AD 60	12	18.8	5
174015	AD 60	14	20.8	5
82864	AD 60	15	21.8	5
130892	AD 60	16	20.8	3.7
174018	AD 60	16	22.8	5
81668	AD 60	18	24.8	5
150823	AD 60	20	24.8	3.7
82866	AD 60	20	26.8	5
82867	AD 60	22	28.8	5
83893	AD 60	24	30.8	5
82868	AD 60	25	31.8	5
82869	AD 60	28	34.8	5
82870	AD 60	30	36.8	5
82871	AD 60	32	38.8	5
83896	AD 60	34	40.8	5
81483	AD 60	35	41.8	5
81623	AD 60	36	42.8	5
82872	AD 60	38	44.8	5
82873	AD 60	40	46.8	5
82874	AD 60	42	48.8	5
82875	AD 60	45	51.8	5
81484	AD 60	50	56.8	5
174019	AD 60	52	58.8	5
174021	AD 60	55	61.8	5
81485	AD 60	56	62.8	5
155673	AD 60	58	64.8	5
82878	AD 60	60	66.8	5
82879	AD 60	63	69.8	5
82880	AD 60	65	73.8	6
151701	AD 60	67	75.8	6
82881	AD 60	70	78.8	6
82467	AD 60	75	83.8	6
82882	AD 60	80	88.8	6
155638	AD 60	83	91.8	6
174023	AD 60	85	93.8	6
82887	AD 60	90	98.8	6
82888	AD 60	95	103.8	6
82889	AD 60	100	108.8	6
174025	AD 60	105	113.8	6
82892	AD 60	110	118.8	6
174027	AD 60	115	123.8	6
82894	AD 60	120	128.8	6
82895	AD 60	125	133.8	6
82896	AD 60	130	138.8	6
174029	AD 60	135	143.8	6
82898	AD 60	140	148.8	6
125847	AD 60	145	153.8	6
78586	AD 60	150	158.8	6
174031	AD 60	160	168.8	6
174033	AD 60	170	178.8	6
174035	AD 60	180	188.8	6
174037	AD 60	190	198.8	6

**AD 60**

**Sizes**



Item No.	Code	d	D	L
82916	AD 60	200	208.8	6
82917	AD 60	210	218.8	6
82918	AD 60	220	228.8	6
174039	AD 60	230	238.8	6
82941	AD 60	240	248.8	6
174041	AD 60	250	258.8	6
82943	AD 60	260	272.2	8.4
174043	AD 60	270	282.2	8.4
174045	AD 60	280	292.2	8.4
82946	AD 60	290	302.2	8.4
124870	AD 60	295	307.2	8.4
82947	AD 60	300	312.2	8.4
83031	AD 60	310	322.2	8.4
83032	AD 60	320	332.2	8.4
83925	AD 60	400	412.2	8.4
124869	AD 60	420	432.2	8.4
83926	AD 60	440	456	11
83929	AD 60	480	496	11
150967	AD 60	500	516	11
126954	AD 60	615	631	11
150968	AD 60	620	636	11
83931	AD 60	680	700	14