

AD 51

Description

Product group	Wiper
Design	D Double wiper
Profile no.	51
Material	NBR 90 3006

Operational application limits

Temperature (°C): -40 to +100
Running speed (m/s): ≤1

Media

Hydraulic oils acc. to DIN 51524
Part 1 - 3, lubricating oils, mineral oil
based lubricating greases, highly non-
flammable hydraulic fluids HFA, HFB,
HFC acc. to VDMA 24317

Function

The AD 51 is a double-acting wiper. It
provides a double function wiping the
dirt from the rod and retaining the
residue oil film with the second lip. The
retained oil can be returned to the
system through a leakage bore hole.

Installation

The wiper can be installed in an axial
semiclosed housing.

Remarks

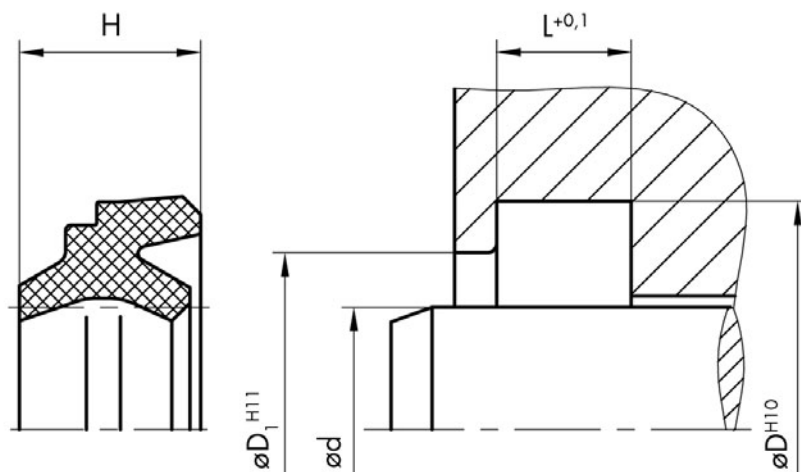
Double wipers made of NBR are used
in hydraulics and pneumatics. They are
suitable for piston rods with high stroke
speeds. Due to the additional diameter
step on the outer fit, the AD 51
provides better sealing and exerts a
stronger wiping force on the rod.

Order code

Please include our item numbers in
your order. Should you require non-
standard dimensions, materials or
material combinations, please use the
order code on page 12.

Any seal. Any time.

All the items in our standard programme
(marked red) are standard stock items.
For all other items, please check the
availability at www.dichtomatik.de.

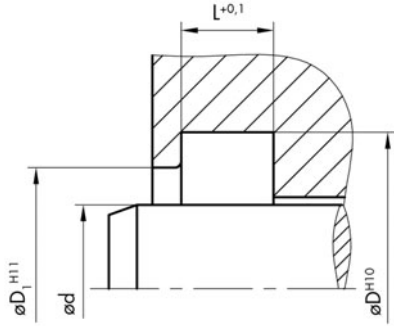


AD 51**Sizes**

Item No.	Code	d	D	D ₁	H	L
123092	AD 51	8	14	11.8	5	4
7829	AD 51	8	14.2		5	3.6
84967	AD 51	10	18	13.5	8	6
78198	AD 51	12	20	15.5	8	6
84982	AD 51	14	22	17.5	8	6
84983	AD 51	15	23	18.5	8	6
156828	AD 51	16	24	19.5	7	6
173654	AD 51	16	24	19.5	8	6
78199	AD 51	18	26	21.5	8	6
82995	AD 51	20	28	23.5	8	6
78419	AD 51	22	30	25.5	8	6
84984	AD 51	24	32	27.5	8	6
84985	AD 51	25	33	28.5	8	6
133727	AD 51	26	34	29.5	8	6
74936	AD 51	28	36	31.5	8	6
84986	AD 51	30	38	33.5	8	6
74937	AD 51	32	40	35.5	8	6
84981	AD 51	35	43	38.5	8	6
77631	AD 51	36	44	39.5	8	6
84987	AD 51	37	45	40.5	8	6
84988	AD 51	38	46	41.5	8	6
173656	AD 51	40	48	43.5	5	4
81693	AD 51	40	48	43.5	8	6
84989	AD 51	42	50	45.5	8	6
78715	AD 51	45	53	48.5	8	6
84990	AD 51	46	54	49.5	8	6
84991	AD 51	48	56	51.5	8	6
77831	AD 51	50	58	53.5	8	6
84992	AD 51	52	60	55.5	8	6
84993	AD 51	55	63	58.5	8	6
72686	AD 51	56	64	59.5	8	6
35983	AD 51	60	68	63.5	8	6
84994	AD 51	63	71	66.5	8	6
84995	AD 51	65	73	68.5	8	6
84996	AD 51	68	76	71.5	8	6
72684	AD 51	70	78	73.5	8	6
81683	AD 51	75	83	78.5	8	6
77338	AD 51	80	88	83.5	8	6
75336	AD 51	85	93	88.5	8	6
72685	AD 51	90	98	93.5	8	6
84997	AD 51	95	103	98.5	8	6
84998	AD 51	100	108	104	8	6
85382	AD 51	105	117	110	11	8.2
85515	AD 51	110	122	115	11	8.2
84965	AD 51	115	127	120	11	8.2
85516	AD 51	120	132	125	11	8.2
72687	AD 51	125	137	130	11	8.2
85517	AD 51	130	142	135	11	8.2
85518	AD 51	135	147	140	11	8.2
85519	AD 51	140	152	145	11	8.2
85520	AD 51	145	157	150	11	8.2
85521	AD 51	150	162	155	11	8.2
85522	AD 51	155	167	160	11	8.2
84935	AD 51	160	172	165	11	8.2
85523	AD 51	165	177	170	11	8.2

AD 51

Sizes



Item No.	Code	d	D	D ₁	H	L
85524	AD 51	170	182	175	11	8.2
85525	AD 51	180	192	185	11	8.2
85526	AD 51	185	197	190	11	8.2
85527	AD 51	190	202	195	11	8.2
90111	AD 51	195	207	200	11	8.2
85528	AD 51	200	212	205	11	8.2
90097	AD 51	205	220	212	13	9.5
90098	AD 51	210	225	217	13	9.5
90099	AD 51	220	235	227	13	9.5
90100	AD 51	225	240	232	13	9.5
133728	AD 51	230	245	237	13	9.5
90101	AD 51	240	255	247	13	9.5
90102	AD 51	250	265	257	13	9.5
90103	AD 51	260	275	267	13	9.5
90104	AD 51	275	290	282	13	9.5
75743	AD 51	280	295	287	13	9.5
90105	AD 51	290	305	297	13	9.5
90106	AD 51	300	315	307	13	9.5
90107	AD 51	320	335	327	13	9.5
90108	AD 51	350	365	357	13	9.5
90109	AD 51	360	375	367	13	9.5
90110	AD 51	370	385	377	13	9.5
173657	AD 51	400	415	407	13	9.5