

## AD 48

### Description

Product group	Wiper
Design	D Double wiper
Profile no.	48
Material	TPU 95 3401

### Operational application limits

Temperature (°C): -40 to +100  
Running speed (m/s): ≤1

### Media

Hydraulic oils acc. to DIN 51524  
Part 1 - 3, lubricating oils, mineral oil based lubricating greases, highly non-flammable hydraulic fluids HFA, HFB, HFC acc. to VDMA 24317

### Function

The AD 48 is a double-acting wiper. It provides a double function wiping the dirt from the rod and retaining the residue oil film with the second lip. The retained oil can be returned to the system through a leakage bore hole.

### Installation

The wiper can be installed in an axial semiclosed housing.

### Remarks

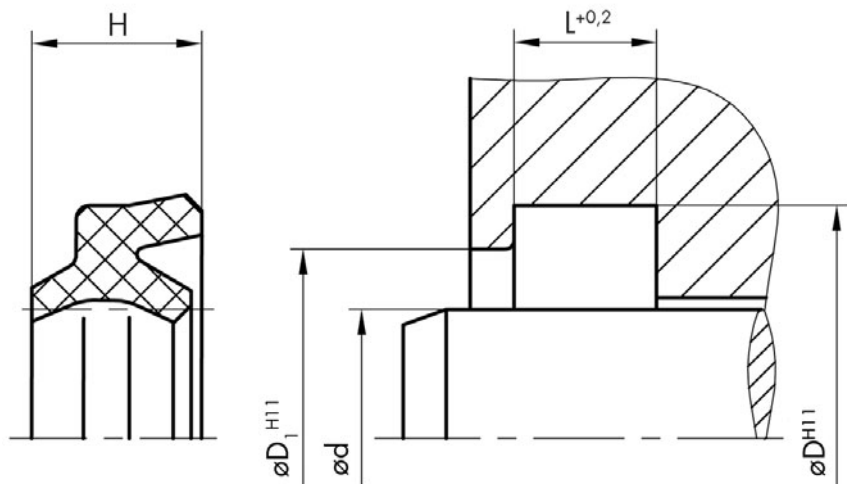
Wipers made of TPU are well suited for applications in mobile hydraulic systems which are subjected to a heavy dirt load. Due to the good wear resistance of Polyurethane, the AD 48 attains a long service life.

### Order code

Please include our item numbers in your order. Should you require non-standard dimensions, materials or material combinations, please use the order code on page 12.

### Any seal. Any time.

All the items in our standard programme (marked red) are standard stock items. For all other items, please check the availability at [www.dichtomatik.de](http://www.dichtomatik.de).



**AD 48**

**Sizes**

Item No.	Code	d	Dn	D	D <sub>1</sub>	H	L
173675	AD 48	10	16	16.6	13	4.8	3.8
72880	AD 48	12	18	18.6	15	4.8	3.8
84060	AD 48	14	20	20.6	17	4.8	3.8
84114	AD 48	18	24	24.6	21	4.8	3.8
148580	AD 48	20	26	26	22.5	4.8	4
87331	AD 48	20	28	28.6	23	6.8	5.3
88972	AD 48	22	28	28.6	25	4.8	3.8
173669	AD 48	22	30	30.6	25	6.8	5.3
88973	AD 48	25	31	31.6	28	4.8	3.8
173670	AD 48	25	33	33.6	28	6.8	5.3
87361	AD 48	28	36	36.6	31	6.8	5.3
88974	AD 48	28	36	36	31	5.8	5
88975	AD 48	30	38	38	33	5.8	5
173666	AD 48	30	38	38.6	33	6.8	5.3
88976	AD 48	32	40	40	35	5.8	5
87372	AD 48	32	40	40.6	35	6.8	5.3
81547	AD 48	35	43	43.6	38	6.8	5.3
88977	AD 48	36	44	44	39	5.8	5
90166	AD 48	36	44	44.6	39	6.8	5.3
88978	AD 48	40	48	48	43	5.8	5
87374	AD 48	40	48	48.6	43	6.8	5.3
88979	AD 48	45	53	53	48	5.8	5
87380	AD 48	45	53	53.6	48	6.8	5.3
90165	AD 48	45	55	55.6	48	6.8	5.3
173676	AD 48	50	58	58	53	5.8	5
173668	AD 48	50	58	58.6	53	6.8	5.3
90167	AD 48	50	60	60.6	53	6.8	5.3
173665	AD 48	55	63	63.6	58	6.8	5.3
90168	AD 48	55	65	65.6	58	6.8	5.3
173671	AD 48	56	64	64.6	59	6.8	5.3
88980	AD 48	56	66	66	59	6.8	6
87382	AD 48	60	68	68.6	63	6.8	5.3
90169	AD 48	60	70	70.6	63	6.8	5.3
173672	AD 48	63	71	71.6	66	6.8	5.3
173677	AD 48	63	73	73.6	66	6.8	5.3
173673	AD 48	65	73	73.6	68	6.8	5.3
90171	AD 48	70	80	80.6	73	6.8	5.3
173678	AD 48	75	85	85.6	78	6.8	5.3
90172	AD 48	75	87	87.2	81	9	7.1
88981	AD 48	80	90	90	83	6.8	6
90173	AD 48	80	92	92.2	86	9	7.1
87391	AD 48	85	97	97.2	91	10	7.1
88982	AD 48	90	100	100	93	6.8	6
87392	AD 48	90	102	102.2	96	9	7.1
90174	AD 48	95	107	107.2	101	9	7.1
130329	AD 48	100	110	110.2	104	8	6.3
173667	AD 48	100	112	112.2	106	9	7.1
173674	AD 48	110	122	122.2	116	10	7.1
88983	AD 48	110	125	125	114	9.5	8.5
90175	AD 48	115	127	127.2	121	9	7.1
90176	AD 48	135	147	147.2	141	9	7.1
108489	AD 48	140	155	155	144	9.5	8.5
90177	AD 48	155	167	167.2	161	9.5	7.1
90178	AD 48	160	172	172.2	166	9.5	7.1
90179	AD 48	185	197	197.2	191	9.5	7.1
90180	AD 48	215	227	227.2	211	9.5	7.1